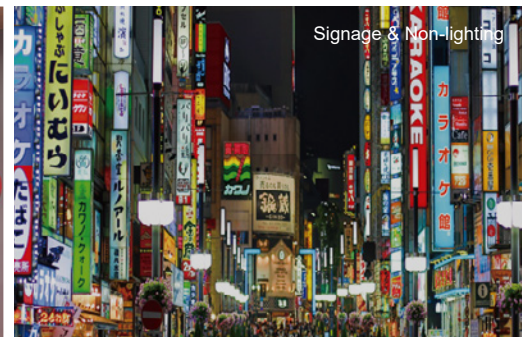
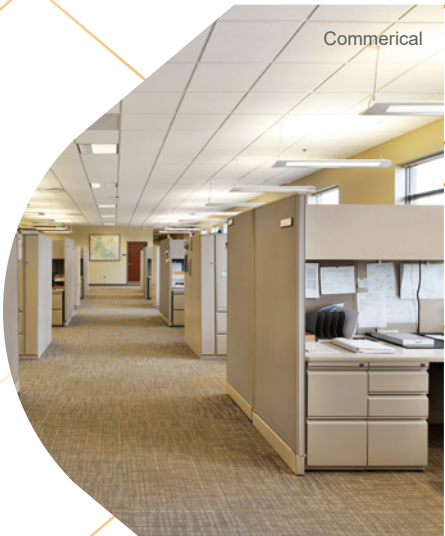
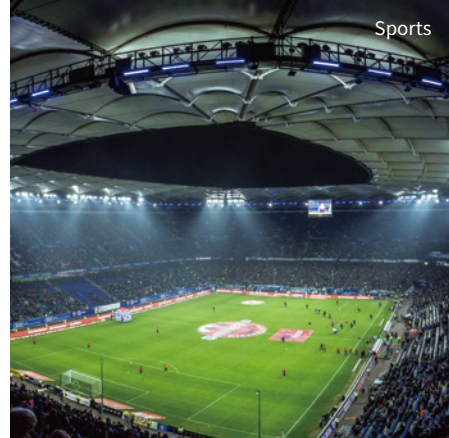


inventronics

Inventronics Lighting Systems



Contents

About Inventronics P01 - P02



Street and Area

Street & Area

P03 - P48



Sports

Sports

P49 - P95



Horticulture

Horticulture

P49 - P95



Industrial

Industrial

P96 - P145



Retail, Hospitality
and Residential

Retail, Hospitality & Residential

P146 - P236



Commercial

Commercial

P146 - P236



Architectural

Architectural

P237 - P290



Signage
& Non-lighting

Signage & Non-lighting

P237 - P290

About Inventronics

Building a Brighter Future

Inventronics is a premier worldwide provider of lighting systems & solutions, building on decades of expertise in LED drivers, sensors, control systems, and LED modules. Their integrated, cutting-edge solutions are designed to simplify system design, enhance performance, and ensure long-term reliability across a wide range of lighting applications—while meeting all major international safety and performance standards.

The acquisition of the Business Unit Digital Systems in Asia and Europe from OSRAM GmbH in 2023, strengthens and enhances Inventronics portfolio, capabilities, and global presence, making us the first choice for LED lighting system solutions to customers.



4
Own production sites
on three continents



4
R&D centers



15
Warehouses



100+
Countries products are sold



2000+
Employees



4000+
Standard lighting products

Why Choose Us?



A Broad Portfolio Of Dependable Products

You benefit from industry-leading comprehensive portfolio of indoor and outdoor high-quality, energy-efficient products and systems as well technical expertise in all lighting applications from a single source.



A Customer-Focused, Service-Driven Collaborator

We develop for and together with you best fitting components and solutions – from standard to customized.



A Forward-Looking, Global Enterprise

We provide consulting, know-how, products, and services from a single source worldwide. Our customer proximity is our core – with on-site contacts and direct connections, you benefit from our global reach.

ALL FIELDS OF APPLICATION



Commercial



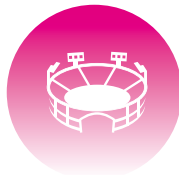
Retail, Hospitality and Residential



Architectural



Signage & Non-lighting



Sports



Horticulture



Street and Area



Industrial

**Inventronics
Lighting Systems**



An Innovative Technology Leader

Through continuous research and development, we improve and extend our range of highly reliable solutions with advanced technologies that ensure you are one step ahead.



A Trusted Partner for Lighting Companies and beyond

We don't compete with our customers; we work with you to create value and make you more successful.

At Inventronics, we are committed to delivering superior lighting solutions and building lasting partnerships for a brighter future.



Lighting Systems

–Street and Area Lighting



inventronics

01 Controls, Sensors, Programming Tools & Accessories

1.1 Bluetooth NLC	Hubsense Bluetooth NLC D4i Outdoor	11
	Ready2Go Bluetooth NLC D4i Outdoor	12
1.2 Software	Tuner4TRONIC	14
	DALI Wizard	14
	HubSense R2G	14
1.3 Programming Tools	PRG-MUL2	14
	PRG-NFC-H	14
	PRG-NFC-D2	14
	DALI magic	14
1.4 Converters	CNV-DALI2	14
	Cat.1 Outdoor	15

02 LED Driver & Accessories

2.1 Connected - Constant Current	OT DX NFC E/G2	16
	IT DX NFC E	18
	IT DALI E	20
	EBS-BT2/DT2	21
	OT 1DIM&4DIM NFC G3 CE	23
	EUM-Mx, ESM-Mx	25
	EUM-LV	28
	EUM-Bx,ESM-Bx	30
	IT 0-10 Non-isolated BRICK	33
2.2 Simple DIM - Constant Current	IT 0-10 P67	35
	IT 0-10 N P67	37
	EUM-Dx	39
	EM DIM P	41
	EUM-DF	42
2.3 Non Dimmable - Constant Current	EM P7 G2	43
2.4 Accessories	PU-10Kx05KBxA	45
	PU-20Kx10KTxx	45
	PU- 20KS10KHT	45
	PS-20KS10KHT	45
	SPD G3	46
	SPD P7	46

03 Light Modules & Accessories

3.1 Rigid

PL Brick

47

Lighting System Solutions **Street and Area**

Light is safety!





Street & Area lighting improves safety, efficiency, and quality of life. LED lighting and smart technology creates sustainable, vibrant cities by guiding pedestrians, transforming spaces, and ensuring safe vehicle transitions.

Expertise

Light is necessary to travel safely on streets at night.

We provide a complete set of LED modules and drivers that can be adjusted to the optimal level by sensing traffic and daylight.



High ratio of light



Intelligent control system



Light dimming

System Value

- Robust lighting system solutions with full range of accessories.
- Reliable design for a long product life span and low maintenance.
- Simple and intelligent control systems for easy installation, commissioning and inspection.
- Complies with several dimming and control standards such as 0-10V, DALI-2 and D4i.
- System compatibility between drivers, modules, surge protection devices and controls solutions (wired and wireless).
- Fully complies with safety requirement and regulations.

Sub-applications

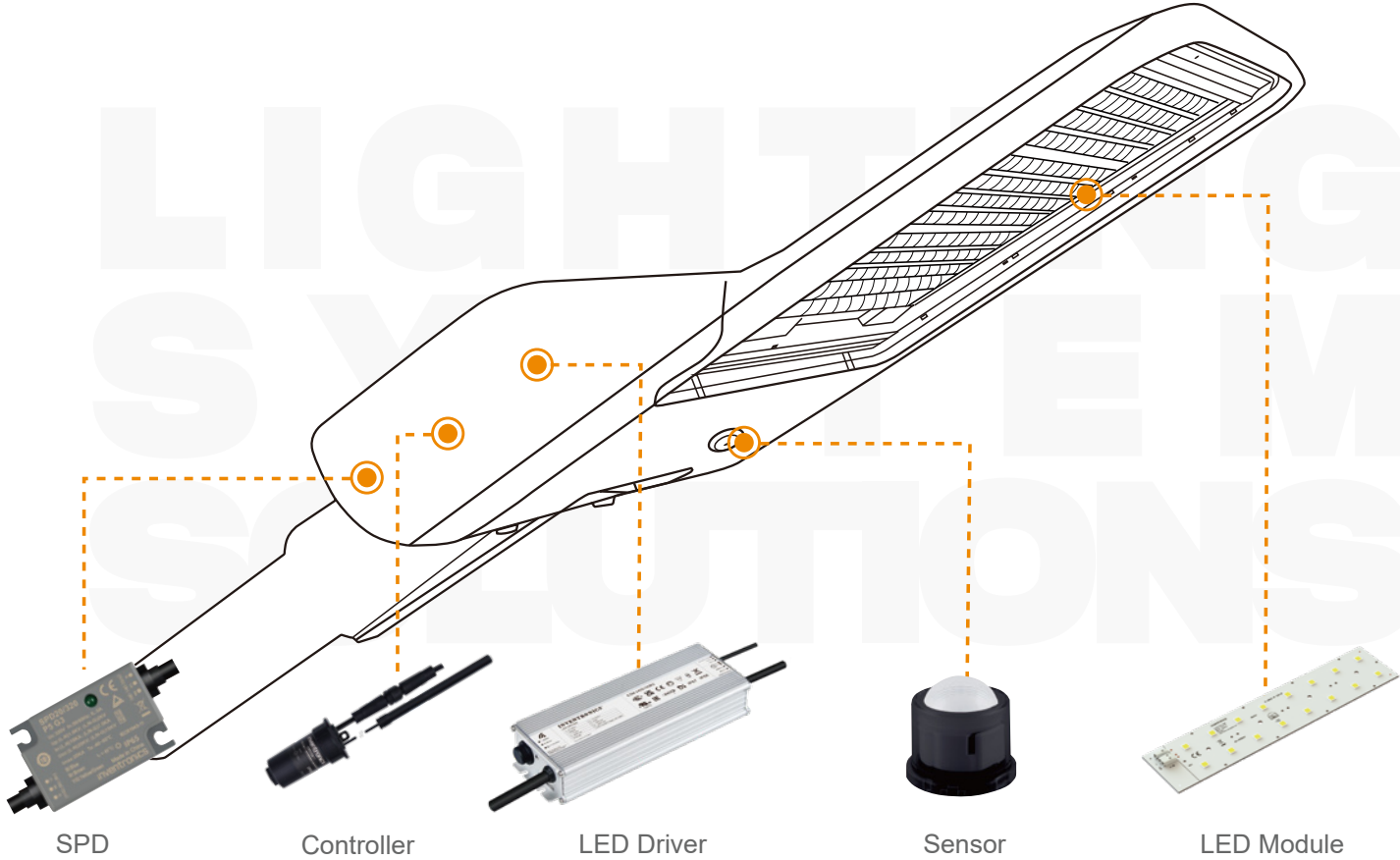


Roads



Streets and Urban

Lighting System Solutions



Areas



Tunnels

Inventronics Cases



Engineering marvel, where world-class infrastructure meets Chinese innovation.
Shenzhong Link, China



Where shimmering waters meet intelligent light,
a harmony of nature and innovation.
Yanqi Lake, Beijing, China



Lighting ensures safety and comfort during nighttime travel.

Highway, Brazil



The world's longest sea-crossing bridge.

Hong Kong-Zhuhai-Macao Bridge, China



Hubsense Bluetooth NLC D4i Outdoor

Advantages

- Microwave, PIR or light sensor
- Bluetooth NLC enabled by Silvair
- Control of D4i drivers or DALI drivers with additional DALI bus
- power supply
- Intended for installation to Zhaga socket 18
- Works with Inventronics D4i LED drivers
- Standard communication protocol released by Bluetooth SIG
- Design freedom due to standard dimensions
- Easy to integrate in luminaire
- Minimize internal wiring in combination with D4i drivers
- Secured product communication granted by ioXT and PSA Certificates

Safety Certifications



EAN	Product Name
6977078990486	B NLC D4i HF P Z
6977078990509	B NLC D4i PD P Z
6977078999519	B NLC D4i LS P Z

More Technical Data





Advantages

- Ready2Go wireless lighting control for smart luminaires
- Enables energy savings and intelligent outdoor lighting
- Supports grouping and zoning of multiple luminaires
- Wireless configuration of group parameters via broadcasting
- Enables monitoring of lamp and driver status
- Supports AstroDIM combined with presence detection
- Easy luminaire integration with standardized interfaces
- Includes Microwave, PIR, or light sensors
- Intended for installation on Zhaga Book 18 socket
- Works with Inventronics DEXAL LED drivers
- Controls D4i drivers and DALI drivers with external bus power
- Supports single- and dual-channel drivers (DT6, DT8 Tunable White)
- Bluetooth communication based on Bluetooth SIG standard

About Ready2Go Bluetooth NLC D4i Outdoor

Ready2Go is a simple, secure, and cost-efficient outdoor lighting control solution designed for small-scale municipal and area lighting projects such as parks, parking lots, residential areas, cycle lanes, and sports courts.

It enables wireless, presence-based lighting with local, cloud-free operation, ensuring full data privacy and high cybersecurity. Using intuitive mobile apps, municipalities and installers can easily configure luminaire groups, adjust light levels and color temperature, and optimize energy use directly on site, without IT expertise.

With AstroDIM and sensor-based, control, Ready2Go improves safety and comfort while automatically reducing energy consumption and maintenance effort. Built on Zhaga-D4i standards, it offers a future-proof, scalable solution that delivers maximum simplicity without compromise

Dimming Functions

- DALI-D4i

Safety Certifications



More Technical Data





EAN	Product Name	Description
6937186180506	B R2G D PD P Z	Bluetooth NLC D4i PIR sensor
6937186180520	B R2G D HF P Z	Bluetooth NLC D4i Radar sensor
6937186180544	B R2G D LS P Z	Bluetooth NLC Light sensor

Software

Overview

Inventronics offers a comprehensive range of professional software solutions to support and configure its components.



Tuner4TRONIC

A software suite for OEMs that enables the configuration of all programmable OPTOTRONIC, ICUTRONIC, QUICKTRONIC, and POWERTRONIC LED drivers during the luminaire manufacturing process.



DALI Wizard

A GUI tool for setting up, analyzing, and diagnosing DALI ECG installations, used in combination with the DALI Wizard control device.



HubSense R2G

HubSense R2G simplifies smart lighting installation, offering seamless control and configuration via smartphone.



T4T



Apps

Programming Tools



FC CE



PRG-MUL2 Features

- Programmer for Inventronics DALI and 0-10V Programmable Drivers
- Offline Programming Capability
- Automatic Programming Mode



PRG-NFC-H Features

- For Use with Inventronics NFC Enabled Drivers
- Zhaga Book 24 Compliant
- USB Powered
- IP30
- Connects to Inventronics Multi-Programmer Software



PRG-NFC-D2 Features

- For Use with Inventronics NFC Enabled Drivers
- Zhaga Book 24 Compliant
- USB Powered
- IP42
- Connects to Inventronics Multi-Programmer Software



DALI magic Features

- USB DALI converter for Tuner4TRONIC and DALI wizard software for Windows PC
- Pushbutton to test DALI dimming without need of connection to computer
- Powered by USB or by included universal power supply
- Integrated automatic DALI supply of up to 64 devices (up to 4 if powered by USB)

Converters

DALI-2 CNV-DALI2



UL CE CB CE

DALI-2 Stadium/Stage Lighting Management Solutions



Features

- Convert DALI-2 Signal to 0/1-10V Dimming Signal
- Comply with DALI-2 Protocol
- Powered By Auxiliary Power with 3-Wire Connection to Driver

Cat.1 Outdoor



Features

- Complies with the 4G Cat.1 wireless protocol with multiple wireless frequency bands supporting
- Supports remote configuration and OTA upgrade
- Adopts northbound/southbound communication with the platform to realize real-time data interaction
- Enables reading of power energy consumption data, including voltage, current, power and other parameters at the input and output terminals
- Supports acquisition of power maintenance and diagnostic data, such as fault modes, operating temperature, lighting duration, power model and other information
- Supports regular network-based patrol inspection to obtain the latest status of the project lighting system
- Allows scheduled execution of control strategies; strategies can be implemented locally by the Cat.1 single-lamp controller even when the network is disconnected
- Designed for use with EUM-LV driver with digital dimming function built in



OT DX NFC E/G2

Advantages

- For Zhaga Book18 Luminaires and D4i certified incl. Parts 25x + AUX
- Input Voltage Range: 176 ~ 264Vac
- Electrical interface and data communication fully based on open standards
- Fully programmable via software (DALI Interface, NFC)
- Low luminous efficacy tolerance through low output current tolerance of $\pm 1,5\%$
- High surge protection: up to 10 kV in protection class I or II
- Lifetime: up to 100,000 h (depending on Tc temperature, max. 10 % failure rate)
- Mains input undervoltage protection
- DEXAL interface (with 15V current supply on DALI-2 lines - DALI Part 250)
- SELV DEXAL and 24V AUX interface (DALI Part 150) up to 6W
- Standardized DALI-2 communication (incl. monitoring data, energy metering)
- Integrated ESD protection: more robust for installation on non-conductive poles
- Optimized NFC for programming from the top: easy accessibility in luminaires
- Surge and overvoltage protection on DALI interface for DALI installations
- LSI port for additional sensors and accessories
- Full compatibility with Tuner4TRONIC and T4T Field App
- BOX Programming: all drivers in one BOX can be programmed in one step

Dimming Functions

StepDIM, AstroDIM (Timer) DALI DT6 and DT8

Safety Certifications



About OPTOTRONIC DEXAL

The OPTOTRONIC DEXAL series is a constant-current, programmable and IP20 built-in LED driver, that operates from 176 ~ 264Vac input voltage with excellent efficiency and power factor. It helps in reducing the number of needed SKUs, thanks to wide operating windows, and it provides a robust, efficient, and all-round solution for connected street and area lighting, thanks to the D4i standardized interface.

Special features as low inrush current, extra ESD protections and high surge protection on DALI port, makes the product extremely robust for harsh outdoor conditions.

Furthermore, thanks to the LSI digital port, it can be combined with stand alone sensors to manage luminaires lumen output based on people and vehicle presence.

Also available with 2 channels for DT6 and DT8 tunable white applications.

Accessories



OT DX SD BOX

- Adds the StepDIM functionality to the Outdoor DEXAL LED driver range
- High surge protection: up to 10 kV (in protection class I or II)



Nominal Output Power (W)	Product Name	Programmable Output Current (mA)	Min Dimming Output Current (mA)	Output Voltage (Vdc)	Eff. @ 230Vac	Dimensions (L×W×H)(mm)
24	OT DX24/170-240/0A7 DIMA NFC G2 CE	150 ~ 700	35	12 ~ 48	89%	133 x 77 x 40
40	OT DX40/170-240/1A0 DIMA NFC G2 CE	150 ~ 1050	35	15 ~ 65	90%	133 x 77 x 40
75	OT DX75/170-240/1A0 DIMA NFC G2 CE	150 ~ 1050	35	35 ~ 150	93%	150 x 90 x 40
110	OT DX110/170-240/1A0 DIMA NFC G2 CE	150 ~ 1050	35	65 ~ 230	93%	150 x 90 x 40
165	OT DX165/170-240/1A0 DIMA NFC G2 CE	150 ~ 1050	35	130 ~ 260	94%	150 x 90 x 40
200	OT DX200/170-240/1A0 DIMA NFC G2 CE	150 ~ 1050	35	140 ~ 300	94%	170 x 100 x 40

Nominal Output Power (W)	Product Name	Programmable Output Current (mA)	Min Dimming Output Current (mA)	Output Voltage (Vdc)	Eff. @ 230Vac	Dimensions (L×W×H)(mm)
40	OT DX 40/170-240/1A0/2C NFC E TW	150 ~ 1050	25	15 ~ 65	89%	150 x 90 x 40
75	OT DX 75/170-240/1A0/2C NFC E TW	150 ~ 1050	25	35 ~ 118	92%	150 x 90 x 40



Advantages

- High efficiency up to 93%
- Input Voltage Range: 170 ~ 264Vac
- Full Power at Wide Output Current Range (Constant Power)
- Adjustable Output Current (AOC) with NFC
- Support DALI programming and NFC programming
- AstroDIM for autonomous dimming with five independent levels (Astro time mode)
- Dim-to-Off with Standby Power ≤ 0.5 W
- Always-on Auxiliary Power: 24Vdc, 125mA, 3W (Transient Peak Power up to 6W)
- Integrated Power Monitoring with Accuracy up to $\pm 5\%$
- Constant Light Output
- End-of-Life Indicator
- Input Surge Protection: DM 6kV, CM 10kV
- Dali Protection for programming cable (up to 15m)
- All-Around Protection: OVP, SCP, OTP, OLP, NLP, OPP
- IP20 Design and Suitable for Outdoor Applications in Luminaires with IP>54
- Suitable for Luminaires with Protection Class I and II
- Complies with Zhaga Interface Specification Book 13
- Full compatibility with Tuner4TRONIC and T4T Field APP

About ICUTRONIC DEXAL

The ICUTRONIC DEXAL series is a constant-current, programmable and IP20 built-in LED driver, that operates from 176 ~ 264Vac input voltage with excellent efficiency and power factor. It helps in reducing the number of needed SKUs, thanks to wide operating windows, and it provides a robust, efficient, and all-round solution for connected street and area lighting, thanks to the D4i standardized interface.

Dimming Functions

- DALI-2/D4i / Timer Dimmable
- Adjustable Dimming Curve

Safety Certifications





Output Power (W)	Product Name	Programmable Output Current (mA)	Min Dimming Output Current (mA)	Output Voltage (Vdc)	Eff.@ 230Vac	Dimensions (L×W×H)(mm)
24	IT DX 24/220-240/1A0 NFC E	200 ~ 1050	50	12 ~ 48	89%	123.3 x 79.7 x 33.4
40	IT DX 40/220-240/1A0 NFC E	200 ~ 1050	50	20 ~ 77	90%	123.3 x 79.7 x 33.4
75	IT DX 75/220-240/1A0 NFC E	200 ~ 1050	50	35 ~ 150	92%	133 x 77 x 37
110	IT DX 110/220-240/1A0 NFC E	200 ~ 1050	50	65 ~ 230	93%	150 x 90 x 39.5
165	IT DX 165/220-240/1A0 NFC E	200 ~ 1050	50	90 ~ 260	93%	150 x 90 x 39.5
200	IT DX 200/220-240/1A0 NFC E	200 ~ 1050	50	140 ~ 300	93%	170 x 100 x 40



IT DALI E

Advantages

- Supply voltage: 220 ~ 240 V
- AstroDim functionality
- Constant Lumen Output (CLO)
- Available with different wattage: 20 W, 40 W, 75 W
- Output current range 350 ~ 1050 mA
- DALI-2 certified (Part 251, 252, 253)
- DALI dimming (min.10%)
- Versatile DALI driver due to flexible output characteristic
- High surge protection: up to 10 kV (single pulse or more)
- Long lasting and high reliability
- Fully programmable via T4T software (DALI / AstroDIM / Constant Lumen)
- Great flexibility due to wide operating temperature range of up to -40 ~ 60 °C
- Lifetime: up to 100,000 h (depending on Tc temperature, max. 10 % failure rate)

About IT DALI E

The compact Icutronic DALI series is available in 20W, 40W, and 75W versions. Thanks to its small form factor, the series offers a smart balance of functionality and performance.

It features AstroDIM and DALI-2 interface, including DALI Data (Parts 251, 252, 253). Please note that NTC, LEDset and NFC are not included.

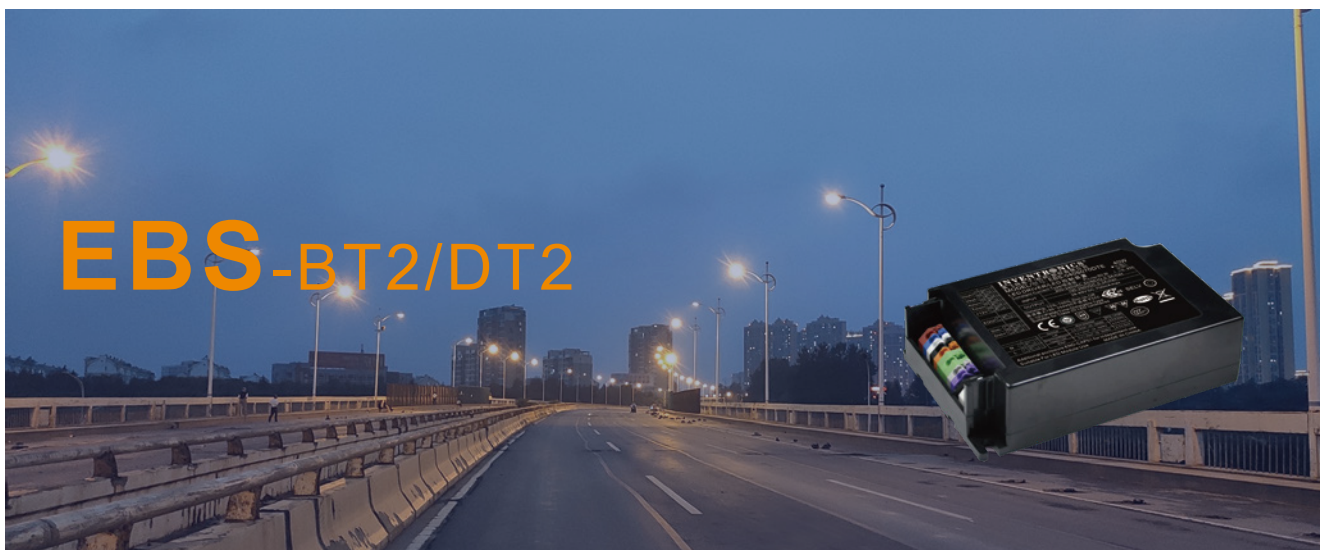
Dimming Functions

- AstroDIM (Timer), DALI

Safety Certifications



Output Power (W)	Product Name	Adjustable Current Range (mA)	Min Dimming Output Current (mA)	Output Voltage (Vdc)	Eff. @ 220Vac	Dimensions (L×W×H)(mm)
20	IT DALI 20/220-240/1A0 E	200 ~ 1050	70	15 ~ 29	88%	103 x 67 x 30
40	IT DALI 40/220-240/1A0 E	200 ~ 1050	70	29 ~ 57	90%	103 x 67 x 30
75	IT DALI 75/220-240/1A0 E	200 ~ 1050	70	55 ~ 107	92%	123 x 79 x 67



Advantages

- High Efficiency (Up to 94.0%)
- Full Power at Wide Output Current Range (Constant Power)
- Adjustable Output Current (AOC) with NFC
- Input Voltage Range: 176 ~ 305Vac
- Output Lumen Compensation
- End-of-Life Indicator
- Long Lifetime Over 100K Hours at 75°C Case Temperature
- Input Surge Protection: DM 6kV, CM 10kV
- IP20 Design and Suitable for Outdoor Applications in Luminaires with IP>54
- Suitable for Luminaires with Protection Class I and II
- Complies with Zhaga Interface Specification Book 13
- 8-Year Warranty

Dimming Functions

- Isolated 1-10V / 3-Timer-Modes Dimmable (DT2 Models)
- DALI-2 / AC Dim / 3-Timer-Modes (BT2 Models)
- Dim-to-Off with Standby Power ≤ 0.5 W (BT2 Models)

Safety Certifications



SAA

EBS-BT2 Version Features

- DALI-2 and D4i Certified
- Always-on Auxiliary Power: 24Vdc, 125mA, 3W (Transient Peak Power up to 10W)
- Integrated 16Vdc Bus Power Supply Based on DALI-2
- Integrated Power Monitoring with High Accuracy up to $\pm 1\%$
- Thermal Sensing and Protection for LED Module
- All-Around Protection: IUVP, IOVP, OVP, SCP, OTP

EBS-DT2 Version Features

- All-Around Protection: OVP, SCP, OTP

Accessories



END-CAP02
Cable Clamp for Independent Applications

About EBS

EBS-BT2

The EBS-BT2 family comprises DALI-2 D4i LED drivers designed to provide OEMs with crucial driver information, reduced maintenance and product expenses, and simplified installation processes. These drivers include Inventronics Controls-Ready features such as Dim-to-Off and Always-On Auxiliary Power, enabling seamless integration with various lighting control networks. They are compatible with Class I and II luminaires, built-in use, and have a Zhaga compatible form factor. Operating within a voltage range of 176-305Vac, they supply streamlined production with time-saving wireless programming and offer a wide output current range. Additionally, these drivers include AC power monitoring, built-in surge protection, and output lumen compensation for enhanced functionality.

EBS-DT2

The EBS DT2 family represents the next generation of Class I/II drivers, offering a simplified yet highly flexible solution. These drivers feature convenient push terminals, wireless programming via Near Field Communication (NFC), and multiple dimming options. Their streamlined design facilitates easier installation, leading to a reduction in production time and lower installation costs. Additionally, they ensure reliability and quality performance with built-in surge protection, output lumen compensation, and an end-of-life indicator. Designed to meet the Zhaga Interface Book 13 edition 2, the EBS-DT2 drivers can seamlessly integrate into more compact and slim European luminaires.



Output Power (W)	Product Name	Full-power Current Range(mA)	Output Voltage Range (Vdc)	Eff.@ 220Vac	Lifetime (hours)	Dimensions (L×W×H)(mm)
25	EBS-025S045BT2	300 ~ 450	28 ~ 84	88.5%	120,000 Tc=75°C	133 x 77 x 33
	EBS-025S070BT2	450 ~ 700	18 ~ 56	88.5%		
	EBS-025S105BT2	700 ~ 1050	12 ~ 36	87.0%		
	EBS-025S045DT2	300 ~ 450	28 ~ 84	88.5%	109,000 Tc=75°C	133 x 77 x 33
	EBS-025S070DT2	450 ~ 700	18 ~ 56	88.0%		
	EBS-025S105DT2	700 ~ 1050	12 ~ 36	87.5%		
40	EBS-040S045BT2	300 ~ 450	44 ~ 133	90.5%	110,000 Tc= 75°C	133 x 77 x 33
	EBS-040S070BT2	450 ~ 700	28 ~ 89	90.5%		
	EBS-040S105BT2	700 ~ 1050	19 ~ 57	89.5%		
	EBS-040S045DT2	300 ~ 450	44 ~ 133	90.5%	104,000 Tc= 75°C	133 x 77 x 33
	EBS-040S070DT2	450 ~ 700	28 ~ 89	89.0%		
	EBS-040S105DT2	700 ~ 1050	19 ~ 57	89.5%		
80	EBS-080S070BT2	450 ~ 700	57 ~ 178	92.5%	100,000 Tc= 75°C	133 x 77 x 36
	EBS-080S105BT2	700 ~ 1050	38 ~ 114	92.5%		
	EBS-080S150BT2	1050 ~ 1500	27 ~ 76	92.0%		
	EBS-080S070DT2	450 ~ 700	57 ~ 178	92.5%	120,000 Tc= 75°C	133 x 77 x 36
	EBS-080S105DT2	700 ~ 1050	38 ~ 114	92.5%		
	EBS-080S150DT2	1050 ~ 1500	27 ~ 76	91.5%		
120	EBS-120S070BT2	450 ~ 700	86 ~ 266	93.5%	120,000 Tc=75°C	150 x 85 x 39
	EBS-120S105BT2	700 ~ 1050	57 ~ 171	93.0%		
	EBS-120S150BT2	1050 ~ 1500	40 ~ 114	93.0%		
	EBS-120S070DT2	450 ~ 700	86 ~ 266	93.0%	100,000 Tc=75°C	150 x 85 x 39
	EBS-120S105DT2	700 ~ 1050	57 ~ 171	93.0%		
	EBS-120S150DT2	1050 ~ 1500	40 ~ 114	92.5%		
165	EBS-165S070BT2	450 ~ 700	118 ~ 367	94.0%	120,000 Tc=75°C	170 x 100 x 40
	EBS-165S105BT2	700 ~ 1050	79 ~ 236	94.0%		
	EBS-165S150BT2	1050 ~ 1500	55 ~ 157	93.5%		
	EBS-165S070DT2	450 ~ 700	118 ~ 367	94.0%	115,000 Tc=75°C	170 x 100 x 40
	EBS-165S105DT2	700 ~ 1050	79 ~ 236	94.0%		
	EBS-165S150DT2	1050 ~ 1500	55 ~ 157	94.0%		



Advantages

- 4DIM functionalities in one device: StepDIM, AstroDIM, MainsDIM, DALI
- Input Voltage Range: 176 ~ 264Vac
- 1DIM functionality: AstroDIM
- DALI-2 certified incl. Parts 251, 252, 253
- Easy and fast wireless luminaire programming
- Very high efficiency up to 94%
- High surge protection: up to 10 kV (in protection class I or II)
- Great flexibility due to wide operating temperature range of up to -40 ~ 60 °C
- High surge DALI protection: 1 kV
- Protection through double isolation between mains input and LED output
- Optimized NFC for programming from the top: easy accessibility in luminaires Constant Light Output
- End-of-Life Indicator
- Input Surge Protection: DM 6kV, CM 10kV
- All-Around Protection: OVP, SCP, OTP, OLP, NLP, OPP
- IP20 Design and Suitable for Outdoor Applications in Luminaires with IP>54
- Suitable for Luminaires with Protection Class I and II
- Complies with Zhaga Interface Specification Book 13
- Full compatibility with Tuner4TRONIC and T4T Field APP

Dimming Functions

- 4DIM: StepDIM, AstroDIM (Timer), MainsDIM, DALI
- 1DIM: AstroDIM (Timer)

Safety Certifications



About OPTOTRONIC 4DIM/1DIM

The Optotronic 4DIM/1DIM G3 series is a constant-current, programmable and IP20 built-in LED driver, that operates from 176 ~ 264Vac input voltage with excellent efficiency and power factor. It helps to optimize luminaire performances thanks to multiple operating windows, and it provides a robust, efficient, and all-round solution for connected street and area lighting (OT 4DIM with DALI-2) or for basic luminaires with only autonomous dimming requirements (OT 1DIM with AstroDIM)

Output Power (W)	Dimming Interface	Product Name	Programmable Output Current (mA)	Min Dimming Output Current (mA)	Output Voltage (Vdc)	Eff. @ 230Vac	Dimensions (L×W×H)(mm)
22	StepDIM, AstroDIM, MainsDIM, DALI	OT 20/170-240/1A0 4DIM NFC G3CE	150 ~ 1050	70	10 ~ 38	87.0%	123 x 79 x 33
40	StepDIM, AstroDIM, MainsDIM, DALI	OT 40/170-240/0A7 4DIM NFC G3CE	150 ~ 700	70	30 ~ 77	90.0%	123 x 79 x 33
40	StepDIM, AstroDIM, MainsDIM, DALI	OT 40/170-240/1A0 4DIM NFC G3CE	150 ~ 1050	70	15 ~ 56	90.0%	123 x 79 x 33
75	StepDIM, AstroDIM, MainsDIM, DALI	OT 75/170-240/0A7 4DIM NFC G3CE	150 ~ 700	70	50 ~ 150	93.0%	123 x 79 x 33
75	StepDIM, AstroDIM, MainsDIM, DALI	OT 75/170-240/1A0 4DIM NFC G3CE	150 ~ 1050	70	35 ~ 115	93.0%	123 x 79 x 33
75	StepDIM, AstroDIM, MainsDIM, DALI	OT 75/170-240/1A5 4DIM NFC G3CE	350 ~ 1500	70	25 ~ 75	93.0%	133 x 77 x 40
110	StepDIM, AstroDIM, MainsDIM, DALI	OT 110/170-240/1A0 4DIM NFCG3CE	150 ~ 1050	70	55 ~ 157	93.0%	133 x 77 x 40
110	StepDIM, AstroDIM, MainsDIM, DALI	OT 110/170-240/0A7 4DIM NFCG3CE	150 ~ 700	70	80 ~ 220	93.0%	133 x 77 x 40
165	StepDIM, AstroDIM, MainsDIM, DALI	OT 165/170-240/1A0 4DIM NFCG3CE	150 ~ 1050	70	90 ~ 260	94.0%	150 x 90 x 40
200	StepDIM, AstroDIM, MainsDIM, DALI	OT 200/170-240/1A0 4DIM NFCG3CE	150 ~ 1050	70	140 ~ 300	94.0%	170 x 100 x 40

Output Power (W)	Dimming Interface	Product Name	Programmable Output Current (mA)	Min Dimming Output Current (mA)	Output Voltage (Vdc)	Eff. @ 230Vac	Dimensions (L×W×H)(mm)
22	AstroDIM	OT 20/170-240/1A0 1DIM NFC G3	150 ~ 1050	70	10 ~ 38	87.0%	123 x 79 x 33
40	AstroDIM	OT 40/170-240/0A7 1DIM NFC G3	150 ~ 700	70	30 ~ 77	90.0%	123 x 79 x 33
40	AstroDIM	OT 40/170-240/1A0 1DIM NFC G3	150 ~ 1050	70	15 ~ 56	90.0%	123 x 79 x 33
75	AstroDIM	OT 75/170-240/0A7 1DIM NFC G3	150 ~ 700	70	50 ~ 150	93.0%	123 x 79 x 33
75	AstroDIM	OT 75/170-240/1A0 1DIM NFC G3	150 ~ 1050	70	35 ~ 115	93.0%	123 x 79 x 33
110	AstroDIM	OT 110/170-240/0A7 1DIM NFC G3	150 ~ 700	70	55 ~ 157	93.0%	133 x 77 x 40
110	AstroDIM	OT 110/170-240/1A0 1DIM NFC G3	150 ~ 1050	70	80 ~ 220	93.0%	133 x 77 x 40
165	AstroDIM	OT 165/170-240/1A0 1DIM NFC G3	150 ~ 1050	70	90 ~ 260	94.0%	150 x 90 x 40

Output Power (W)	Product Name	Adjustable Current Range (mA)	Min Dimming Output Current (mA)	Output Voltage (Vdc)	Eff. @ 220Vac	Dimensions (L×W×H)(mm)
15	OT 15/120-240/0A7 1DIM NFC CE	150 ~ 700	70	12 ~ 45	86.0%	103 x 30 x 67
30	OT 30/120-240/0A7 1DIM NFC CE	150 ~ 700	70	18 ~ 57	89.0%	103 x 30 x 67
60	OT 60/120-240/1A0 1DIM NFC CE	150 ~ 1050	70	28 ~ 86	91.0%	103 x 30 x 67



Advantages

- High Efficiency (Up to 96.5%)
- Full Power at Wide Output Current Range (Constant Power)
- Adjustable Output Current (AOC) with Programmability
- Input Voltage Range: 90 ~ 305Vac(EUM-Mx) 249-528Vac(ESM-Mx)
- Always-on Auxiliary Power: 12Vdc, 250mA, 3W (Transient Peak Power up to 10W)
- Output Lumen Compensation
- End-of-Life Indicator
- Input Surge Protection: DM 6kV, CM 10kV
- All-Around Protection: IUVP, IOVP, OVP, SCP, OTP
- IP66 / IP67 and UL Dry / Damp / Wet Location
- TYPE HL, for Use in a Class I, Division 2 Hazardous (Classified) Location
- 5-Year Warranty

Dimming Functions

- Isolated 0-10V / PWM / 3-Timer-Modes Dimmable
- INV Digital Dimming, UART Based Communication Protocol
- Dim-to-Off with Standby Power

Safety Certifications



About EUM-Mx

The EUM-Mx series offers full power at a wide output current range and supply Controls-Ready features such as Dim-to-Off and an Always-On Auxiliary Power of 12Vdc, 250mA with a transient peak up to 10W to better power occupancy and daylight sensors. This provides a cost-optimized solution by removing the need for additional power packs and AC Relays. They offer a reliable performance with a high level of built-in surge protection and added Input Over Voltage (IOV) and Input Under Voltage (IUVP) protection to help against poor power quality supplies to the LED driver. The MG series provides a global cable to reduce inventory SKUs, the MT Series are UL Class P recognized and the MB series are BIS certified to offer a solution for a wide range of applications and regions.

About ESM-Mx

The ESM-Mx family are high input voltage Controls-Ready drivers offering OEMs a cost-optimized solution. They provide design flexibility with full power at a wide output current range. Their Controls-Ready features such as Dim-to-Off and an Always-On Auxiliary Power of 12Vdc, 250mA with a transient peak up to 10W to better power occupancy and daylight sensors. The ESM-Mx operates on a vast array of lighting control networks via a 0-10V dimming input. These IP66/IP67 drivers have industry-leading built-in surge protection and longer lifetimes for harsh environmental applications. They provide the added convenience of UL Class P (MT series) and models with a global cable to reduce inventory SKUs (MG series).

EUM-Mx

Output Power (W)	Product Name	Full-power Current Range(mA)	Output Voltage Range (Vdc)	Eff.@ 220Vac	Lifetime (hours)	Dimensions (L×W×H)(mm)
75	EUM-075S105Mx①	700 ~ 1050	36 ~ 107	90.5%	101,000 Tc= 70°C	142(125) × 67.5 × 36.5
	EUM-075S150Mx	1050 ~ 1500	25 ~ 72	89.5%		
	EUM-075S210Mx ★	1400 ~ 2100	18 ~ 54	89.0%		
100	EUM-100S105Mx	700 ~ 1050	48 ~ 143	92.5%	112,000 Tc= 70°C	148(131) × 67.5 × 36.5
	EUM-100S150Mx	1050 ~ 1500	34 ~ 95	92.5%		
	EUM-100S280Mx ★	1750 ~ 2800	17 ~ 54	91.0%		
150	EUM-150S105Mx	700 ~ 1050	72 ~ 214	93.5%	104,000 Tc= 70°C	178(161) × 67.5 × 36.5
	EUM-150S150Mx	1050 ~ 1500	50 ~ 143	93.0%		
	EUM-150S210Mx	1400 ~ 2100	36 ~ 107	92.5%		
	EUM-150S420Mx	2800 ~ 4200	18 ~ 54	91.5%		
200	EUM-200S105Mx	700 ~ 1050	95 ~ 286	93.5%	102,000 Tc= 70°C	188(171) × 67.5 × 36.5
	EUM-200S150Mx	1050 ~ 1500	67 ~ 190	93.5%		
	EUM-200S280Mx	1800 ~ 2800	36 ~ 111	93.0%		
	EUM-200S560Mx	3500 ~ 5600	18 ~ 57	92.0%		
240	EUM-240S105Mx	700 ~ 1050	115 ~ 343	94.0%	101,000 Tc= 70°C	218(201) × 67.5 × 38.5
	EUM-240S150Mx	1050 ~ 1500	80 ~ 229	93.5%		
	EUM-240S350Mx	2150 ~ 3500	35 ~ 111	93.0%		
	EUM-240S670Mx	4200 ~ 6700	18 ~ 57	92.5%		
320	EUM-320S105Mx	700 ~ 1050	153 ~ 457	94.5%	112,000 Tc= 70°C	243(224) × 80 × 44.5
	EUM-320S150Mx	1050 ~ 1500	107 ~ 305	94.0%		
	EUM-320S250Mx	1750 ~ 2500	64 ~ 183	94.0%		
	EUM-320S500Mx	2850 ~ 5000	32 ~ 112	93.5%		
	EUM-320S760Mx	5350 ~ 7600	21 ~ 60	92.5%		
400	EUM-400S150Mx	1050 ~ 1500	133 ~ 381	94.5%	113,000 Tc=70°C	262(243) × 90 × 43.5
	EUM-400S910Mx	7150 ~ 9100	24 ~ 56	94.0%		
480	EUM-480S140Mx	1050 ~ 1400	171 ~ 457	94.5%	102,000 Tc=70°C	262(243) × 90 × 43.5
	EUM-480S280Mx	2100 ~ 2800	86 ~ 228	94.0%		
	EUM-480S420Mx	3150 ~ 4200	57 ~ 152	94.0%		
	EUM-480S560Mx	4350 ~ 5600	43 ~ 110	94.0%		
	EUM-480S10AMx	8600 ~ 10000	24 ~ 56	94.0%		
680	EUM-680S170Mx	1250 ~ 1700	200 ~ 544	95.5%	107,000 Tc=70°C	275(250)×135 x 46
	EUM-680S240Mx	1800 ~ 2400	141.5 ~ 378	94.5%		
	EUM-680S350Mx	2600 ~ 3500	97.1 ~ 262	95.0%		
	EUM-680S560Mx	4200 ~ 5600	60.7 ~ 163	94.5%		
	EUM-680S840Mx	6300 ~ 8400	40.4 ~ 108	95.0%		
	EUM-680S15AMx	12600 ~ 15000	22.6 ~ 54	95.5%		
880	EUM-880S280Mx	1950 ~ 2800	157 ~ 452	95.0%	105,000 Tc= 70°C	275(250)×144 x 48.5
	EUM-880S420Mx	3000 ~ 4200	104 ~ 294	95.5%		
	EUM-880S700Mx	4900 ~ 7000	63 ~ 180	96.0%		
	EUM-880S11AMx	8000 ~ 11500	38 ~ 110	95.5%		
	EUM-880S20AMx	16300 ~ 20000	22 ~ 54	95.5%		

★ : Class 2 Model

① : x=G are UL Recognized, ENEC and CCC, etc. models; x=T are UL Class P models.

ESM-Mx

Output Power (W)	Product Name	Full-power Current Range(mA)	Output Voltage Range (Vdc)	Eff.@ 480Vac	Lifetime (hours)	Dimensions (L×W×H)(mm)
150	ESM-150S105Mx ^①	700 ~ 1050	72 ~ 214	93.5%	100,000 Tc=70°C	178(161)× 76.5× 38.5
	ESM-150S150Mx	1050 ~ 1500	50 ~ 143	93.0%		
	ESM-150S210Mx	1400 ~ 2100	36 ~ 107	92.5%		
	ESM-150S420Mx	2800 ~ 4200	18 ~ 54	92.0%		
240	ESM-240S105Mx	700 ~ 1050	115 ~ 343	94.0%	106,000 Tc= 70°C	218(201) × 76.5 × 38.5
	ESM-240S150Mx	1050 ~ 1500	80 ~ 229	93.5%		
	ESM-240S350Mx	2150 ~ 3500	35 ~ 111	93.0%		
	ESM-240S670Mx	4200 ~ 6700	18 ~ 57	92.5%		
320	ESM-320S105Mx	700 ~ 1050	153 ~ 457	95.0%	105,000 Tc= 70°C	243(224) × 85 × 44.5
	ESM-320S150Mx	1050 ~ 1500	107 ~ 305	94.5%		
	ESM-320S250Mx	1750 ~ 2500	64 ~ 183	94.5%		
	ESM-320S500Mx	2850 ~ 5000	32 ~ 112	94.0%		
480	ESM-480S140Mx	1050 ~ 1400	171 ~ 457	95.5%	100,000 Tc=70°C	262(243) × 90 × 43.5
	ESM-480S280Mx	2100 ~ 2800	86 ~ 228	95.5%		
	ESM-480S420Mx	3150 ~ 4200	57 ~ 152	95.0%		
	ESM-480S560Mx	4350 ~ 5600	43 ~ 110	95.0%		
	ESM-480S10AMx	8600 ~ 10000	24 ~ 56	95.0%		
680	ESM-680S170Mx/MGS	1250 ~ 1700	200 ~ 544	96.0%	102,000 Tc= 70°C	Mx: 275(250) × 135 x 46 MGS: 300(275) x 151 x 46
	ESM-680S240Mx/MGS	1800 ~ 2400	141.5 ~ 378	95.5%		
	ESM-680S350Mx/MGS	2600 ~ 3500	97.1 ~ 262	95.5%		
	ESM-680S560Mx/MGS	4200 ~ 5600	60.7 ~ 163	95.5%		
	ESM-680S840Mx/MGS	6300 ~ 8400	40.4 ~ 108	95.5%		
880	ESM-680S15AMx/MGS	12600 ~ 15000	22.6 ~ 54	94.5%	100,000 Tc= 70°C	Mx: 275(250)x144 x 48.5 MGS: 300(275) x 160 x 48.5
	ESM-880S280Mx/MGS	1950 ~ 2800	157 ~ 452	96.0%		
	ESM-880S420Mx/MGS	3000 ~ 4200	104 ~ 294	95.5%		
	ESM-880S700Mx/MGS	4900 ~ 7000	63 ~ 180	96.0%		
	ESM-880S11AMx/MGS	8000 ~ 11500	38 ~ 110	95.0%		
1200	ESM-880S20AMx/MGS	16300 ~ 20000	22 ~ 54	95.5%	101,000 Tc= 70°C	Mx: 310(285) × 141 × 48.5 MGS: 330(305) x 166.5 x 49.5
	ESM-1K2S350Mx/MGS	2600 ~ 3500	171 ~ 462	96.5%		
	ESM-1K2S525Mx/MGS	3950 ~ 5250	114 ~ 304	96.0%		
	ESM-1K2S740Mx/MGS	5550 ~ 7400	81 ~ 217	96.5%		

① : x=G are UL Recognized, ENEC and CCC, etc. models; x=T are UL Class P models.



Advantages

- Full Power at Wide Output Current Range (Constant Power)
- Adjustable Output Current (AOC) with Programmability
- INV Digital Dimming, UART Based Communication Protocol Compliant with T/CSA-051
- At Power on, The Default Maximum Digital Dimming Level
- Dim-to-Off with Standby Power ≤ 0.5 W
- Always-on Auxiliary Power: 4Vdc, 500mA, 2W (Transient Peak Power up to 8W)
- Integrated Power Metering with High Accuracy up to $\pm 1\%$
- Output Lumen Compensation
- End-of-Life Indicator
- Input Surge Protection: DM 6kV, CM 10kV
- All-Around Protection: IUVP, IOVP, OVP, SCP, OTP
- IP66/IP67

About EUM-LV

The EUM-LV series is a constant-current, and IP66/IP67 rated LED driver that operates from 90-305Vac input with excellent power factor. Created for smart lighting and health monitoring applications, this family provides integrated AC power monitoring with an auxiliary voltage and dim-to-off functionality for powering low voltage, wireless controls. The dimming control supports two-way communication via Digital Dimming, a UART based communication protocol that complies with T/CSA-051. The high efficiency of these drivers and compact metal case enables them to run cooler, significantly improving reliability and extending product life. To ensure trouble-free operation, protection is provided against input surge, input under voltage, input over voltage, output over voltage, short circuit, and over temperature.

Dimming Functions

- INV Digital Dimming, UART Based Communication Protocol Compliant with T/CSA-051

Safety Certifications





Output Power (W)	Product Name	Full-power Current Range(mA)	Output Voltage Range (Vdc)	Eff.@ 220Vac	Lifetime (hours)	Dimensions (L×W×H)(mm)	
75	EUM-075S105LV	700-1050	36-107	90.50%	105,000	125 × 67.5 × 36.5	142 × 67.5 × 36.5
75	EUM-075S210LV	1400-2100	18-54	89.00%	105,000	125 × 67.5 × 36.5	142 × 67.5 × 36.5
100	EUM-100S105LV	700-1050	48-143	93.50%	112,000	131 × 67.5 × 36.5	148 × 67.5 × 36.5
100	EUM-100S280LV	1750-2800	17-54	91.50%	112,000	131 × 67.5 × 36.5	148 × 67.5 × 36.5
150	EUM-150S105LV	700-1050	72-214	93.50%	104,000	161 × 67.5 × 36.5	178 × 67.5 × 36.5
150	EUM-150S420LV	2800-4200	18-54	92.50%	104,000	161 × 67.5 × 36.5	178 × 67.5 × 36.5
200	EUM-200S105LV	700-1050	95-286	94.00%	102,000	171 × 67.5 × 36.5	188 × 67.5 × 36.5
200	EUM-200S560LV	3500-5600	18-57	92.50%	102,000	171 × 67.5 × 36.5	188 × 67.5 × 36.5
240	EUM-240S105LV	700-1050	115-343	93.50%	101,000	201 × 67.5 × 38.5	218 × 67.5 × 38.5
240	EUM-240S670LV	4200-6700 EUM-LV - 1	18-57	92.50%	101,000	201 × 67.5 × 38.5	218 × 67.5 × 38.5



Advantages

- High Efficiency (Up to 96%)
- Full Power at Wide Output Current Range (Constant Power)
- Adjustable Output Current (AOC) with NFC
- Input Voltage Range: 90 ~ 305Vac(EUM-Bx) 249-528Vac(ESM-Bx)
- Integrated Power Metering with High Accuracy up to $\pm 1\%$
- Output Lumen Compensation
- End-of-Life Indicator
- Thermal Sensing and Protection for LED Module
- Surge Protection: CM 6kV, DM10kV
- IP66 / IP67 and UL Dry / Damp / Wet Location
- TYPE HL, for Use in a Class I, Division 2 Hazardous (Classified) Location
- 7 Years Warranty

Dimming Functions

- DALI-2 and D4i Certified
- 3-Timer-Modes Dimmable
- Dim-to-Off with Low Standby Power

Safety Certifications



global-mark

About EUM-Bx

The EUM-Bx series is DALI-2 D4i certified, allowing for extensive health diagnostics tracking for the LED driver, seamless plug-and-play controls, and standardization of intra-luminaire designs. They are extremely flexible with wireless programmability via Near Field Communication (NFC) to help OEMs streamline production and simplify installation. The EUM-Bx series is Controls-Ready with Dim-to-Off and Always-On Auxiliary Power of 24Vdc, 125mA with a transient peak up to 10W. They also provide the added convenience of integrated power monitoring allowing users to measure energy consumption. The BG series provides a global cable to reduce inventory SKUs, the BT Series are UL Class P recognized, and the BB series are BIS certified to offer a solution for a wide range of applications and regions. Available also as DALI-2 in Class I and Class II (EUM-Ex and EUM-EE)

About ESM-Bx

The ESM-Bx series is DALI-2 D4i certified which allows the tracking and monitoring of health diagnostics for LED drivers, provides plug-and-play controls, and standardizes intra-luminaire designs. They are extremely flexible with wireless programmability via Near Field Communication (NFC) to help OEMs streamline production and simplify installation. The ESM-Bx series is Controls-Ready with Dim-to-Off and Always-On Auxiliary Power of 24Vdc, 125mA with a transient peak up to 10W. They also provide the added convenience of integrated power monitoring allowing users to measure energy consumption. The BG models utilize globally accepted cables that help reduce SKUs, the BT models provide UL Class P certification.

EUM-Bx



Output Power (W)	Product Name	Full-power Current Range(mA)	Output Voltage Range (Vdc)	Eff.@ 220Vac	Lifetime (hours)	Dimensions (L×W×H)(mm)
75	EUM-075S105Bx ^①	700 ~ 1050	36 ~ 107	90.5%	101,000 Tc= 70°C	142(125) × 67.5 × 36.5
	EUM-075S150Bx	1050 ~ 1500	25 ~ 72	89.5%		
	EUM-075S210Bx ★	1400 ~ 2100	18 ~ 54	89.0%		
100	EUM-100S105Bx	700 ~ 1050	48 ~ 143	92.5%	112,000 Tc= 70°C	148(131) × 67.5 × 36.5
	EUM-100S150Bx	1050 ~ 1500	34 ~ 95	92.5%		
	EUM-100S280Bx ★	1750 ~ 2800	17 ~ 54	91.0%		
150	EUM-150S105Bx	700 ~ 1050	72 ~ 214	93.5%	104,000 Tc= 70°C	178(161) × 67.5 × 36.5
	EUM-150S150Bx	1050 ~ 1500	50 ~ 143	93.0%		
	EUM-150S210Bx	1400 ~ 2100	36 ~ 107	92.5%		
	EUM-150S420Bx	2800 ~ 4200	18 ~ 54	91.5%		
200	EUM-200S105Bx	700 ~ 1050	95 ~ 286	93.5%	102,000 Tc= 70°C	188(171) × 67.5 × 36.5
	EUM-200S150Bx	1050 ~ 1500	67 ~ 190	93.5%		
	EUM-200S280Bx	1800 ~ 2800	36 ~ 111	93.0%		
	EUM-200S560Bx	3500 ~ 5600	18 ~ 57	92.0%		
240	EUM-240S105Bx	700 ~ 1050	115 ~ 343	94.0%	101,000 Tc= 70°C	218(201) × 67.5 × 38.5
	EUM-240S150Bx	1050 ~ 1500	80 ~ 229	93.5%		
	EUM-240S350Bx	2150 ~ 3500	35 ~ 111	93.0%		
	EUM-240S670Bx	4200 ~ 6700	18 ~ 57	92.5%		
320	EUM-320S105Bx	700 ~ 1050	153 ~ 457	94.5%	112,000 Tc=70°C	243(224) × 80 × 44.5
	EUM-320S150Bx	1050 ~ 1500	107 ~ 305	94.0%		
	EUM-320S250Bx	1750 ~ 2500	64 ~ 183	94.0%		
	EUM-320S500Bx	2850 ~ 5000	32 ~ 112	93.5%		
	EUM-320S760Bx	5350 ~ 7600	21 ~ 60	92.5%		
480	EUM-480S140BG	1050 ~ 1400	171 ~ 457	95.0%	110,000 Tc=70°C	262(243) × 90 × 43.5
	EUM-480S280BG	2100 ~ 2800	86 ~ 228	95.0%		
	EUM-480S420BG	3150 ~ 4200	57 ~ 152	94.0%		
	EUM-480S560BG	4350 ~ 5600	43 ~ 110	94.0%		
	EUM-480S10ABG	8600 ~ 10000	24 ~ 56	94.0%		
680	EUM-680S170BG	1250 ~ 1700	200 ~ 544	95.5%	107,000 Tc=70°C	275(250) × 135 × 46
	EUM-680S240BG	1800 ~ 2400	141.5 ~ 378	94.5%		
	EUM-680S350BG	2600 ~ 3500	97.1 ~ 262	95.0%		
	EUM-680S560BG	4200 ~ 5600	60.7 ~ 163	94.5%		
	EUM-680S840BG	6300 ~ 8400	40.4 ~ 108	95.0%		
	EUM-680S15ABG	12600 ~ 15000	22.6 ~ 54	95.5%		

★ : Class 2 Model

① : x=G are UL Recognized, ENEC and CCC, etc. models; x=T are UL Class P models; x=B are BIS models.

ESM-Bx

Output Power (W)	Product Name	Full-power Current Range(mA)	Output Voltage Range (Vdc)	Eff.@ 480Vac	Lifetime (hours)	Dimensions (L×W×H)(mm)
100	ESM-100S105Bx ^①	700 ~ 1050	48 ~ 143	92.0%	100,000 Tc=70°C	148(131) × 76.5 × 38.5
	ESM-100S150Bx	1050 ~ 1500	34 ~ 95	91.5%		
	ESM-100S280Bx	1750 ~ 2800	17 ~ 54	90.5%		
150	ESM-150S105Bx	700 ~ 1050	72 ~ 214	93.0%	100,000 Tc=70°C	178(161) × 76.5 × 38.5
	ESM-150S150Bx	1050 ~ 1500	50 ~ 143	93.0%		
	ESM-150S210Bx	1400 ~ 2100	36 ~ 107	92.5%		
	ESM-150S420Bx	2800 ~ 4200	18 ~ 54	92.0%		
240	ESM-240S105Bx	700 ~ 1050	115 ~ 343	94.0%	106,000 Tc=70°C	218(201) × 76.5 × 38.5
	ESM-240S150Bx	1050 ~ 1500	80 ~ 229	93.5%		
	ESM-240S350Bx	2150 ~ 3500	35 ~ 111	93.0%		
	ESM-240S670Bx	4200 ~ 6700	18 ~ 57	92.5%		
320	ESM-320S105Bx	700 ~ 1050	153 ~ 457	95.0%	105,000 Tc=70°C	243(224) × 85 × 44.5
	ESM-320S150Bx	1050 ~ 1500	107 ~ 305	94.5%		
	ESM-320S250Bx	1750 ~ 2500	64 ~ 183	94.5%		
	ESM-320S500Bx	2850 ~ 5000	32 ~ 112	94.0%		
	ESM-320S760Bx	5350 ~ 7600	21 ~ 60	94.0%		
480	ESM-480S140BG	1050 ~ 1400	171 ~ 457	95.0%	100,000 Tc=70°C	262(243) × 90 × 43.5
	ESM-480S280BG	2100 ~ 2800	86 ~ 228	94.0%		
	ESM-480S420BG	3150 ~ 4200	57 ~ 152	95.0%		
	ESM-480S560BG	4350 ~ 5600	43 ~ 110	94.5%		
	ESM-480S10ABG	8600 ~ 10000	24 ~ 56	94.5%		
680	ESM-680S170BG	1250 ~ 1700	200 ~ 544	96.0%	102,000 Tc=70°C	275(250) × 135× 46
	ESM-680S240BG	1800 ~ 2400	141.5 ~ 378	95.5%		
	ESM-680S350BG	2600 ~ 3500	97.1 ~ 262	95.5%		
	ESM-680S560BG	4200 ~ 5600	60.7 ~ 163	95.5%		
	ESM-680S840BG	6300 ~ 8400	40.4 ~ 108	95.5%		
	ESM-680S15ABG	12600 ~ 15000	22.6 ~ 54	94.5%		



① : x=G are UL Recognized, ENEC and CCC, etc. models; x=T are UL Class P models; x=B are BIS models.

IT 0-10 Non-isolated BRICK



Advantages

- Non-Isolated Design with Low Residual Output Voltage < 2 kV
- No Afterglow on Specific Models
- Ultra High Efficiency (Up to 97%)
- Full Power at Wide Output Current Range (Constant Power)
- Adjustable Output Current (AOC) with T4T (Tuner4TRONIC)
- Dim-to-Off with Standby Power ≤ 0.5 W
- Adjustable Dimming Curve
- Always-on Auxiliary Power: 12Vdc, 200mA
- End-of-Life Indicator
- Override Dimming
- Constant Lumen
- Additional port (BM+) for current setting via external Dip Switch
- Additional port (OP+) for external Light Sensor
- Input Surge Protection: DM 6kV, CM 6kV
- All-Around Protection: OTP, OVP, SCP

Dimming Functions

- Isolated 0(1)-10V/PWM/Resistor/AstroDIM(Timer)

About IT 0-10 Non-isolated BRICK

The BRICK IT 0-10 /100-277/N y series is a constant-current and IP20 rated LED driver that operates from 90-305Vac input with excellent power factor. Created for area lighting application, this family provides an auxiliary voltage and dim-to-off functionality for powering low voltage sensors. The dimming control supports 0(1)-10V, PWM dimming, resistor dimming, and AstroDIM dimming. The high efficiency of these drivers and compact metal case enables them to run cooler, significantly improving reliability and extending product life. To ensure trouble-free operation, protection is provided against input surge, output over voltage, short circuit, and over temperature.

Safety Certifications



EAN	Product Name	Output Power (W)	Connection	Adjustable Current Range(mA)	Min Dimming Output Current(mA)	Output Voltage (Vdc)	Efficiency (max.)	Dimensions (L×W×H) (mm)
6937186162281	IT 0-10 100/100-277/0A5/N E A12 OP	100	Push Terminal	33-500	33	180-300	96.0%	120.6 x 55 x 33
6937186162304	IT 0-10 150/100-277/0A75/N E A12 OP	150	Push Terminal	50-750	50	180-300	96.5%	120.6 x 55 x 33
6937186162328	IT 0-10 200/100-277/0A9/N E A12 OP	200	Push Terminal	67-900	67	180-300	96.0%	135.6 x 55 x 33
6937186162342	IT 0-10 240/100-277/1A1/N E A12 OP	240	Push Terminal	80-1100	80	180-300	97.0%	135.6 x 55 x 33
6937186162366	IT 0-10 320/100-277/1A6/N E A12 OP	320	Push Terminal	107-1600	107	180-300	96.5%	176.6 x 55 x 33
6937186162885	IT 0-10 100/100-277/0A5/N F A12 OP	100	Flying Leads	33-500	33	180-300	96.0%	120.6 x 55 x 33
6937186162908	IT 0-10 150/100-277/0A75/N F A12 OP	150	Flying Leads	50-750	50	180-300	96.5%	120.6 x 55 x 33
6937186162922	IT 0-10 200/100-277/0A9/N F A12 OP	200	Flying Leads	67-900	67	180-300	96.0%	135.6 x 55 x 33
6937186162946	IT 0-10 240/100-277/1A1/N F A12 OP	240	Flying Leads	80-1100	80	180-300	97.0%	135.6 x 55 x 33
6937186162960	IT 0-10 320/100-277/1A6/N F A12 OP	320	Flying Leads	107-1600	107	180-300	96.5%	176.6 x 55 x 33



IT 0-10 P67



Advantages

- High efficiency up to 94.5%
- Input Voltage Range: 90 ~ 305Vac
- AstroDIM for autonomous dimming with five independent levels (Astro time mode)
- Dim-to-Off with Standby Power ≤ 0.5 W
- Always-on Auxiliary Power: 12Vdc, 100mA(P/N) on specific versions
- Input Surge Protection: DM 6kV, CM 10kV (≥ 75 W)
DM 6kV, CM 6kV (< 75 W)
- Suitable for Luminaires with Protection Class I and II
- Override dimming
- IP66/IP67
- 5-Year Warranty

About IT 0-10 P67

The IT 0-10 P67 series is constant-current, programmable and IP66/IP67 rated LED driver that operates from 90-305Vac input with excellent power factor. Providing a stable, efficient, and all-round solution for global street and area lighting.

Dimming Functions

- Isolated 1(0)-10V/ PWM / Resistor/ Timer Dimmable
- Adjustable Dimming Curve
- Override dimming

Safety Certifications



Output Power (W)	Product Name	Full-Power Current Range (mA)	Min Dimming Output Current (mA)	Output Voltage (Vdc)	Eff. @ 220Vac	Dimensions (L×W×H)(mm)
30	IT 0-10 30/100-277/0A5 P67 x ①	300 ~ 500	30	30 ~ 100	88.0%	112(95) x 64 x 32
30	IT 0-10 30/100-277/0A5 P67 x A12	300 ~ 500	30	30 ~ 100	88.0%	112(95) x 64 x 32
30	IT 0-10 30/100-277/1A05 P67 x	550 ~ 1050	55	17 ~ 54	89.0%	112(95) x 64 x 32
30	IT 0-10 30/100-277/1A05 P67 x A12	550 ~ 1050	55	17 ~ 54	89.0%	112(95) x 64 x 32
50	IT 0-10 50/100-277/0A53 P67 x	300 ~ 530	30	47 ~ 167	90.5%	112(95) x 64 x 32
50	IT 0-10 50/100-277/0A53 P67 x A12	300 ~ 530	30	47 ~ 167	90.5%	112(95) x 64 x 32
50	IT 0-10 50/100-277/0A9 P67 x	550 ~ 900	55	28 ~ 91	91.5%	112(95) x 64 x 32
50	IT 0-10 50/100-277/0A9 P67 x A12	550 ~ 900	55	28 ~ 91	91.5%	112(95) x 64 x 32
50	IT 0-10 50/100-277/1A5 P67 x	920 ~ 1500	92	17 ~ 54	90.5%	112(95) x 64 x 32
50	IT 0-10 50/100-277/1A5 P67 x A12	920 ~ 1500	92	17 ~ 54	90.5%	112(95) x 64 x 32
75	IT 0-10 75/100-277/0A53 P67 x	300 ~ 530	30	70 ~ 250	92.0%	142(125) x 60 x 33.4
75	IT 0-10 75/100-277/0A53 P67 x A12	300 ~ 530	30	70 ~ 250	92.0%	142(125) x 60 x 33.4
75	IT 0-10 75/100-277/1A05 P67 x	700 ~ 1050	70	36 ~ 107	92.0%	142(125) x 60 x 33.4
75	IT 0-10 75/100-277/1A05 P67 x A12	700 ~ 1050	70	36 ~ 107	92.0%	142(125) x 60 x 33.4
75	IT 0-10 75/100-277/2A1 P67 x	1400 ~ 2100	140	17 ~ 54	90.5%	142(125) x 60 x 33.4
75	IT 0-10 75/100-277/2A1 P67 x A12	1400 ~ 2100	140	17 ~ 54	90.5%	142(125) x 60 x 33.4
100	IT 0-10 100/100-277/0A53 P67 x	350 ~ 530	35	94 ~ 286	92.0%	148(131) x 60 x 33.4
100	IT 0-10 100/100-277/0A53 P67 x A12	350 ~ 530	35	94 ~ 286	92.0%	148(131) x 60 x 33.4
100	IT 0-10 100/100-277/1A05 P67 x	700 ~ 1050	70	48 ~ 143	92.5%	148(131) x 60 x 33.4
100	IT 0-10 100/100-277/1A05 P67 x A12	700 ~ 1050	70	48 ~ 143	92.5%	148(131) x 60 x 33.4
100	IT 0-10 100/100-277/2A8 P67 x	1750 ~ 2800	175	17 ~ 54	92.0%	148(131) x 60 x 33.4
100	IT 0-10 100/100-277/2A8 P67 x A12	1750 ~ 2800	175	17 ~ 54	92.0%	148(131) x 60 x 33.4
150	IT 0-10 150/100-277/0A7 P67 x	530 ~ 700	53	107 ~ 284	94.5%	178(161) x 60 x 33.4
150	IT 0-10 150/100-277/0A7 P67 x A12	530 ~ 700	53	107 ~ 284	94.5%	178(161) x 60 x 33.4
150	IT 0-10 150/100-277/1A05 P67 x	700 ~ 1050	70	72 ~ 214	94.0%	178(161) x 60 x 33.4
150	IT 0-10 150/100-277/1A05 P67 x A12	700 ~ 1050	70	72 ~ 214	94.0%	178(161) x 60 x 33.4
150	IT 0-10 150/100-277/4A2 P67 x	2680 ~ 4200	268	18 ~ 56	92.5%	178(161) x 60 x 33.4
150	IT 0-10 150/100-277/4A2 P67 x A12	2680 ~ 4200	268	18 ~ 56	92.5%	178(161) x 60 x 33.4
200	IT 0-10 200/100-277/0A7 P67 x	530 ~ 700	53	142 ~ 378	94.0%	188(171) x 60 x 33.4
200	IT 0-10 200/100-277/0A7 P67 x A12	530 ~ 700	53	142 ~ 378	94.0%	188(171) x 60 x 33.4
200	IT 0-10 200/100-277/1A05 P67 x	700 ~ 1050	70	95 ~ 286	94.0%	188(171) x 60 x 33.4
200	IT 0-10 200/100-277/1A05 P67 x A12	700 ~ 1050	70	95 ~ 286	94.0%	188(171) x 60 x 33.4
200	IT 0-10 200/100-277/5A6 P67 x	3500 ~ 5600	350	18 ~ 57	94.0%	188(171) x 60 x 33.4
200	IT 0-10 200/100-277/5A6 P67 x A12	3500 ~ 5600	350	18 ~ 57	94.0%	188(171) x 60 x 33.4
240	IT 0-10 240/100-277/0A7 P67 x	530 ~ 700	53	171 ~ 453	94.5%	218(201) x 60 x 33.4
240	IT 0-10 240/100-277/0A7 P67 x A12	530 ~ 700	53	171 ~ 453	94.5%	218(201) x 60 x 33.4
240	IT 0-10 240/100-277/1A05 P67 x	700 ~ 1050	70	115 ~ 343	94.0%	218(201) x 60 x 33.4
240	IT 0-10 240/100-277/1A05 P67 x A12	700 ~ 1050	70	115 ~ 343	94.0%	218(201) x 60 x 33.4
240	IT 0-10 240/100-277/6A7 P67 x	4200 ~ 6700	420	18 ~ 57	94.0%	218(201) x 60 x 33.4
240	IT 0-10 240/100-277/6A7 P67 x A12	4200 ~ 6700	420	18 ~ 57	94.0%	218(201) x 60 x 33.4
320	IT 0-10 320/100-277/1A05 P67 x	700 ~ 1050	70	153 ~ 457	96.0%	234(217) x 60 x 37.6
320	IT 0-10 320/100-277/1A05 P67 x A12	700 ~ 1050	70	153 ~ 457	96.0%	234(217) x 60 x 37.6
320	IT 0-10 320/100-277/1A5 P67 x	1050 ~ 1500	105	107 ~ 305	95.5%	234(217) x 60 x 37.6
320	IT 0-10 320/100-277/1A5 P67 x A12	1050 ~ 1500	105	107 ~ 305	95.5%	234(217) x 60 x 37.6
320	IT 0-10 320/100-277/7A6 P67 x	5350 ~ 7600	535	21 ~ 60	94.5%	234(217) x 60 x 37.6
320	IT 0-10 320/100-277/7A6 P67 x A12	5350 ~ 7600	535	21 ~ 60	94.5%	234(217) x 60 x 37.6

① : x=U are Class P models,x=G are UL Recognized, ENEC and CCC,etc.models; x=B are BIS models;x=E are Class II models with ENEC,etc.



IT 0-10 N P67

Advantages

- Non-Isolated Design with Low Residual Output Voltage < 2.0kV
- No Afterglow
- Ultra High Efficiency (Up to 97.0%)
- Full Power at Wide Output Current Range (Constant Power)
- Adjustable Output Current (AOC) with T4T
- Isolated 0(1)-10V/PWM/Resistor/AstroDIM(Timer) Dimmable
- Dim-to-Off with Standby Power ≤ 0.5 W
- Adjustable Dimming Curve
- End-of-Life Indicator
- Override Dimming
- Output Lumen Compensation
- Always-on Auxiliary Power: 12Vdc, 200mA
- Input Surge Protection: DM 6kV, CM 10kV
- All-Around Protection: OVP, SCP, OTP
- IP67
- Class P
- Suitable for Luminaires with Protection I

About IT 0-10 N P67

The IT 0-10 N P67 series features a non-isolated design that delivers highly efficient performance. This LED driver operates from 90–305Vac input with excellent power factor. The series provides an auxiliary voltage and dim-to-off functionality for powering low-voltage sensors. The dimming control supports 0(1)-10V, PWM dimming, resistor dimming, and AstroDIM dimming. Offering a stable, efficient, and all-round solution for global sports and area lighting.

Dimming Functions

- Isolated 0(1)-10V/PWM/Resistor/AstroDIM(Timer) Dimming Function

Safety Certifications



Output Power (W)	Product Name	Adjustable Current Range (mA)	Min Dimming Output Current (mA)	Output Voltage (Vdc)	Eff.@ 480Vac	Dimensions (L×W×H)(mm)
100	IT 0-10 100/100-277/0A5/N P67 G A12	33 ~ 500	33	180 ~ 300	97.0%	130(113) x 64 x 32
150	IT 0-10 150/100-277/0A75/N P67 G A12	50 ~ 750	50	180 ~ 300	97.0%	130(113) x 64 x 32
200	IT 0-10 200/100-277/0A9/N P67 G A12	67 ~ 900	67	180 ~ 300	97.0%	149(132) x 64 x 32
240	IT 0-10 240/100-277/1A1/N P67 G A12	80 ~ 1100	80	180 ~ 300	97.0%	149(132) x 64 x 32
320	IT 0-10 320/100-277/1A6/N P67 G A12	107 ~ 1600	107	180 ~ 300	97.0%	186(169) x 64 x 32





Advantages

- High Efficiency (Up to 94.0%)
- Full Power at Wide Output Current Range (Constant Power)
- Adjustable Output Current (AOC) with Programmability
- Input Voltage Range: 90 ~ 305Vac
- Compact Metal Case with Excellent Thermal Performance
- Output Lumen Compensation
- Input Surge Protection Up to: DM 6kV, CM 10kV (≥ 75 W)
DM 4kV, CM 6kV (< 75 W)
- All-Around Protection: OVP, SCP, OTP
- IP66 / IP67 and UL Dry / Damp / Wet Location
- SELV Output Models Available
- TYPE HL, for Use in a Class I, Division 2 Hazardous (Classified) Location
- 5-Year Warranty

About EUM-Dx

Inventronics EUM-Dx series provides a next-generation platform offering an enhanced transformer design, optimized components that provide lower costs without sacrificing quality or performance and a new design methodology. They also utilize a new global cable suitable for worldwide use to help OEMs reduce inventory SKUs. Available also for Class II (EUM-DE)" Available also with additional protection for 440Vac (EAM-DB/SB) Available also for Input Voltage 249 ~ 528Vac and Class I (ESM-Dx)

Dimming Functions

- Isolated 1-5V / 1-10V / 10V PWM / 3-Timer-Modes

Safety Certifications



Output Power (W)	Product Name	Full-power Current Range(mA)	Output Voltage Range (Vdc)	Eff. @ 220Vac	Lifetime (hours)	Dimensions (L×W×H)(mm)
30	EUM-030S050Dx ^①	300 ~ 500	30 ~ 100	88.0%	120,000 Tc= 70°C	112(95) × 64 × 36.5
	EUM-030S105Dx ★	550 ~ 1050	17 ~ 54	87.0%		
50	EUM-050S053Dx	300 ~ 530	47 ~ 167	90.5%	103,000 Tc= 70°C	112(95) × 64 × 36.5
	EUM-050S090Dx	550 ~ 900	28 ~ 91	89.0%		
	EUM-050S150Dx ★	920 ~ 1500	17 ~ 54	88.0%		
75	EUM-075S053Dx	300 ~ 530	70 ~ 250	92.0%	100,000 Tc= 70°C	142(125) × 60 × 36.5
	EUM-075S105Dx	700 ~ 1050	36 ~ 107	90.5%		
	EUM-075S150Dx	1050 ~ 1500	25 ~ 72	90.5%		
	EUM-075S210Dx ★	1400 ~ 2100	18 ~ 54	89.5%		
100	EUM-100S053Dx	350 ~ 530	94 ~ 286	94.0%	114,000 Tc= 70°C	148(131) × 60 × 36.5
	EUM-100S105Dx	700 ~ 1050	48 ~ 143	93.0%		
	EUM-100S150Dx	1050 ~ 1500	34 ~ 95	93.0%		
	EUM-100S280Dx ★	1750 ~ 2800	17 ~ 54	92.0%		
150	EUM-150S070Dx	530 ~ 700	107 ~ 284	93.5%	106,000 Tc= 70°C	178(161) × 60 × 36.5
	EUM-150S105Dx	700 ~ 1050	72 ~ 214	93.0%		
	EUM-150S150Dx	1050 ~ 1500	50 ~ 143	93.5%		
	EUM-150S210Dx	1400 ~ 2100	36 ~ 107	92.0%		
	EUM-150S420Dx	2800 ~ 4200	18 ~ 54	91.5%		
200	EUM-200S070Dx	530 ~ 700	142 ~ 378	94.0%	100,000 Tc= 70°C	188(171) × 60 × 36.5
	EUM-200S105Dx	700 ~ 1050	95 ~ 286	93.5%		
	EUM-200S150Dx	1050 ~ 1500	67 ~ 190	93.0%		
	EUM-200S280Dx	1800 ~ 2800	36 ~ 111	92.5%		
	EUM-200S560Dx	3500 ~ 5600	18 ~ 57	92.0%		
240	EUM-240S070Dx	530 ~ 700	171 ~ 453	94.0%	100,000 Tc= 70°C	218(201) × 60 × 38.5
	EUM-240S105Dx	700 ~ 1050	115 ~ 343	94.0%		
	EUM-240S150Dx	1050 ~ 1500	80 ~ 229	93.5%		
	EUM-240S350Dx	2150 ~ 3500	35 ~ 111	93.0%		
	EUM-240S670Dx	4200 ~ 6700	18 ~ 57	92.5%		
320	EUM-320S105Dx	700 ~ 1050	153 ~ 457	94.0%	111,000 Tc= 70°C	243(224) × 80 × 44.5
	EUM-320S150Dx	1050 ~ 1500	107 ~ 305	94.0%		
	EUM-320S250Dx	1750 ~ 2500	64 ~ 183	94.0%		
	EUM-320S500Dx	2850 ~ 5000	32 ~ 112	93.0%		
	EUM-320S760Dx	5350 ~ 7600	21 ~ 60	93.0%		

★ : Class 2 Model

① : x=G are UL Recognized, ENEC and CCC, etc. models; x=T are UL Class P models; x=B are BIS models. X=E are Class II models with ENEC; x=F are UL class P models with flying leads, etc.

EM DIM P



Advantages

- High efficiency up to 90%
- Input Voltage Range: 90 ~ 305Vac
- SELV output ($\leq 60V$)
- Current adjustment by Potentiometer
- 1-10V dimming (10-100%)
- Long life time
- Input Surge Protection: DM 6kV, CM 6kV
- Suitable for Luminaires with Protection Class I and II
- IP42

About EM DIM P

The EM DIM P series is constant-current LED driver that operates from 90-305Vac with 1-10V dimming. Suitable for Class I/II luminaires and providing a stable, efficient, and all-round solution for global street and area lighting.

Dimming Functions

- Isolated 1-10V

Safety Certifications



Output Power (W)	Product Name	Adjustable Current Range (mA)	Output Voltage Range (Vdc)	Eff. @ 220Vac	Lifetime (hours)	Dimensions (L×W×H)(mm)
30	EM 30/100-277/0A7 DIM P	350 ~ 700	40 ~ 54	90%	1100,000 Tc=70°C	105 x 60.5 x 30.5
60	EM 60/100-277/1A4 DIM P	700 ~ 1400	40 ~ 54	90%	100,000 Tc=70°C	105 x 60.5 x 30.5



EUM-DF

Advantages

- Full Power at Wide Output Current Range (Constant Power)
- Input Voltage Range: 90 ~ 305Vac
- Adjustable Output Current (AOC) with Programmability
- Output Lumen Compensation
- End-of-Life Indicator
- Input Surge Protection: DM 6kV, CM 10kV
- All-Around Protection: OVP, SCP, OTP
- IP66 and UL Dry/Damp Location
- TYPE HL, for Use in a Class I, Division 2 Hazardous (Classified) Location
- 5 Years Warranty

About EUM-DF

The EUM-180S125DF series is a 180W, constant-current, programmable IP66 LED driver that operates from 90-305Vac input. It is drop-in compatible to the popular 180W F-Can form factor.

The aluminum extruded case and fully potted design provides superior thermal performance and extended lifetime. Perfect for Outdoor Street and Area Lighting, as well as Indoor Industrial High Bay Lighting, and a great alternative upgrade to the popular 180W F-Can drivers.

Dimming Functions

- Isolated 1-8V/10V PWM/3-Timer-Modes Dimmable
- Adjustable Dimming Curve
- Override Dimming

Safety Certifications



Output Power (W)	Product Name	Adjustable Current Range(mA)	Output Voltage Range (Vdc)	Eff.@220Vac	Lifetime (hours)	Dimensions (L×W×H)(mm)
180	EUM-180S125DF	105 ~ 1250	67 ~ 190	93.0%	109,000 Tc=70°C	240.5(171) × 60 × 37.6

EM P7 G2



Advantages

- High efficiency up to 96%
- Input Voltage Range: 108 ~ 305Vac
- Fix output of 700mA
- Long life time
- Input Surge Protection: DM 6kV, CM 6kV
- Suitable for Luminaires with Protection Class I
- IP67

About EM P7 G2

The EM P7 G2 series is constant-current LED driver that operates from 108-305Vac and providing a stable, efficient solution for outdoor area lighting.

Dimming Functions

Not relevant

Safety Certifications



Output Power (W)	Product Name	Adjustable Current Range(mA)	Output Voltage Range (Vdc)	Eff.@ 220Vac	Lifetime (hours)	Dimensions (L×W×H)(mm)
100	EM 100/120-277/700 P7 G2	700	100 ~ 143	93.5%	50,000 Tc=75°C	143.5 x 56 x 33
150	EM 150/120-277/700 P7 G2	700	150 ~ 215	94.5%	50,000 Tc=75°C	143.5 x 56 x 33
200	EM 200/120-277/700 P7 G2	700	200 ~ 285	95.5%	50,000 Tc=75°C	150.5 x 56 x 33
240	EM 250/120-277/700 P7 G2	700	240 ~ 343	96.0%	50,000 Tc=75°C	150.5 x 56 x 33



PU-10Kx05KBxA



■ Features

- 90-305Vac Working Input Voltage
- Uoc=10kV & In=5kA
- Certified for both EN 61643-11 - T2 & T3
- Protection Mode for TN, TT and IT-Systems
- Available for Series & Parallel Installation
- Available for Class I & Class II luminaires
- Double Thermally Protected
- End-of-life LED Indicator
- High Temperature, 85°C Maximum Surface Temp
- Input Over Voltage Protection at 440Vac with 48 Hours
- IP66 / IP67

PU-20Kx10KTxx



■ Features

- Compatible with Inventronics LED Drivers
- 90-305Vac Working Input Voltage
- 15 kA Maximum, 10 kA Nominal (15 strikes) Surge Current Rating Using Industry Standard 8/20µs Wave
- UL1449 Type 4, EN 61643-11 – Surge Protective Devices T2 & T3
- IEEE C62.41.2 Location Category C High
- High Temperature, 85°C Maximum Ambient
- Flameproof Plastic Enclosure
- IP66

PU-20KS10KHT



■ Features

- Compatible with Inventronics LED Drivers
- 90-305Vac Working Input Voltage
- DM, CM Surge Protection Mode
- Maximum Discharge Current (Imax) 20kA, 8/20µs
- Nominal Discharge Current (In) 10kA, 8/20µs
- UL1449 Type 5 Recognized Component
- IEEE C62.41.2 Location Category C High Exposure
- High Temperature, 85°C Maximum Surface Temp Rating

PS-20KS10KHT



■ Features

- Compatible with Inventronics LED Drivers
- 249-528Vac Working Input Voltage
- DM, CM Surge Protection Mode
- Maximum Discharge Current (Imax) 20kA, 8/20µs
- Nominal Discharge Current (In) 10kA, 8/20µs
- UL1449 Type 5 Recognized Component
- IEEE C62.41.2 Location Category C High Exposure
- High Temperature, 85°C Maximum Surface Temp Rating

SPD G3



SPD G3

SPD P5 G3



■ Features

- Mains Voltage to 320Vac
- Suitable for Luminaries of Protection Class I/II
- Fully LED Driver Protection by Up <math><2kV</math>
- High Surge Protection of Up to 20 kV / 10 kA (L-N); Comply with IEC 61643-11 - T3
- Maximum Surge Protection of Up to 20 kA; Comply with IEC 61643-11 - T2
- TÜV Approved Acc. to IEC 61643-11 – T2 & T3
- IP20(SPД G3)
- IP65(SPД P5 G3)

SPD P7



■ Features

- 90–305 Vac Working Input Voltage
- Suitable for TN, TT and IT Systems
- Maximum Discharge Current (I_{max}) 10kA, 8/20 μ s
- Nominal Discharge Current (I_n) 5kA, 8/20 μ s
- Open Circuit Voltage (U_{oc}) 10kV, 1.2/50 μ s
- EN 61643-11 – T2 & T3 and IEC 61643-11 – Test Class II & Class III
- Available for Series & Parallel Installation
- Failure indication LED
- IP67



PL Brick

Advantages

- High-performance module for outdoor and street lighting
- Dimensions aligned with Zhaga book 15 and 19
- Compatible with third party optics, e.g. from LEDIL, BJB
- High module efficiency for demanding lighting solutions
- Thermal monitoring with NTC on LED Module
- Several color temperatures: 1,800 K, 2,200K, 2,700 K, 3,000 K, 4,000 K, 5,700 K and 6,500 K and with CRI > 70 and CRI > 80
- Initial color consistency: ≤ 5 SDCM
- PL Brick HP: focused on combination of high robustness and high lumen maintenance
- PL Brick HP HE: focused on combination of high efficiency and high lumen output
- PL Brick HP UHE: focused on combination of high efficiency, high lumen output and improvement of the H2S Robustness

About PL Brick

PL Brick is an LED Module series for Outdoor lighting application based on the Zhaga Standard

Different configurations based on LED quantities, CCT, CRI, LED Technology are available.

Complying with Zhaga Book 15 (IP00 version) and Book 19 (IP66 version with dedicated optics)

Furthermore, PL Brick is also available with 2 different LED Strings for dual channels systems and integration into Tunable White applications

Safety Certifications



PL Brick HP

Product Name	Single Color (K)	Nominal Voltage (V)	Nominal Current (A)	On-Mode Power (W)	Luminous Efficacy (lm/W)	Luminous Flux (lm)	Number of LEDs Per Module
PL-BRICK HP 1000 740 2x2	4000	11.3	0.53	6.0	178	1067	4
PL-BRICK HP 1900 740 2x4	4000	22.6	0.53	12.0	178	2140	8
PL-BRICK HP 2850 740 2x6	4000	34.0	0.53	18.0	179	3225	12
PL-BRICK HP 3800 740 2x8	4000	45.3	0.53	24.0	179	4290	16
PL-BRICK HP 2850 740 2X6 IP G2	4000	34.0	0.53	18.0	179	3225	12



PL Brick HP HE

Product Name	Single Color (K)	Nominal Voltage (V)	Nominal Current (A)	On-Mode Power (W)	Luminous Efficacy (lm/W)	Luminous Flux (lm)	Number of LEDs Per Module
PL-BRICK HP 1900 740 2x4 HE	4000	22.6	0.53	12.0	192	2300	8
PL-BRICK HP 2850 740 2x6 HE	4000	34.0	0.53	18.0	192	3450	12
PL-BRICK HP 3800 740 2x8 HE	4000	45.3	0.53	24.0	192	4600	16
PL-BRICK HP 7500 740 3x8 HE IP	4000	66.8	0.53	35.9	183	7100	24

PL Brick HP HE 2CH

Product Name	Single Color (K)	Nominal Voltage (V)	Nominal Current (A)	On-Mode Power (W)	Luminous Efficacy (lm/W)	Luminous Flux (lm)	Number of LEDs Per Module
PL-BRICK HP 3000 722-740 2X4 HE 2CH	2200	23	0.35	8.1	155	1250	2x4
	4000	23	0.35	8.1	190	1550	
PL-BRICK HP 6000 722-740 2X8 HE 2CH	2200	45	0.35	16.2	155	2510	2x8
	4000	45	0.35	16.2	190	3000	

PrevaLED Brick UHE

Product Name	Single Color (K)	Nominal Voltage (V)	Nominal Current (A)	On-Mode Power (W)	Luminous Efficacy (lm/W)	Luminous Flux (lm)	Number of LEDs Per Module
PL-BRICK HP 1000 740 2x2 UHE	4000	11.1	0.53	5.9	207	1220	4
PL-BRICK HP 1900 740 2x4 UHE	4000	22.1	0.53	11.7	209	2440	8
PL-BRICK HP 2850 740 2x6 UHE	4000	33.0	0.53	17.5	209	3660	12
PL-BRICK HP 3800 740 2x8 UHE	4000	44.0	0.53	23.3	209	4880	16
PL-BRICK HP 2850 740 2x6 UHE IP	4000	33.0	0.53	17.5	209	3660	12
PL-BRICK HP 7500 740 3x8 UHE IP	4000	65.7	0.53	34.8	210	7320	24



Lighting Systems

–Sports Lighting

–Horticulture Lighting



Lighting system solutions-Sports	53
Lighting system solutions-Horticulture	59

01 Controls, Sensors, Programming Tools & Accessories

1.1 Software	Tuner4TRONIC	63
	DALI Wizard	63
1.2 Programming Tools	PRG-MUL2	63
	PRG-NFC-H	63
	PRG-NFC-D2	64
	DALI magic	64
1.3 Converters	CNV-DMXR2	64
	CNV-DALI2	64

02 LED Driver & Accessories

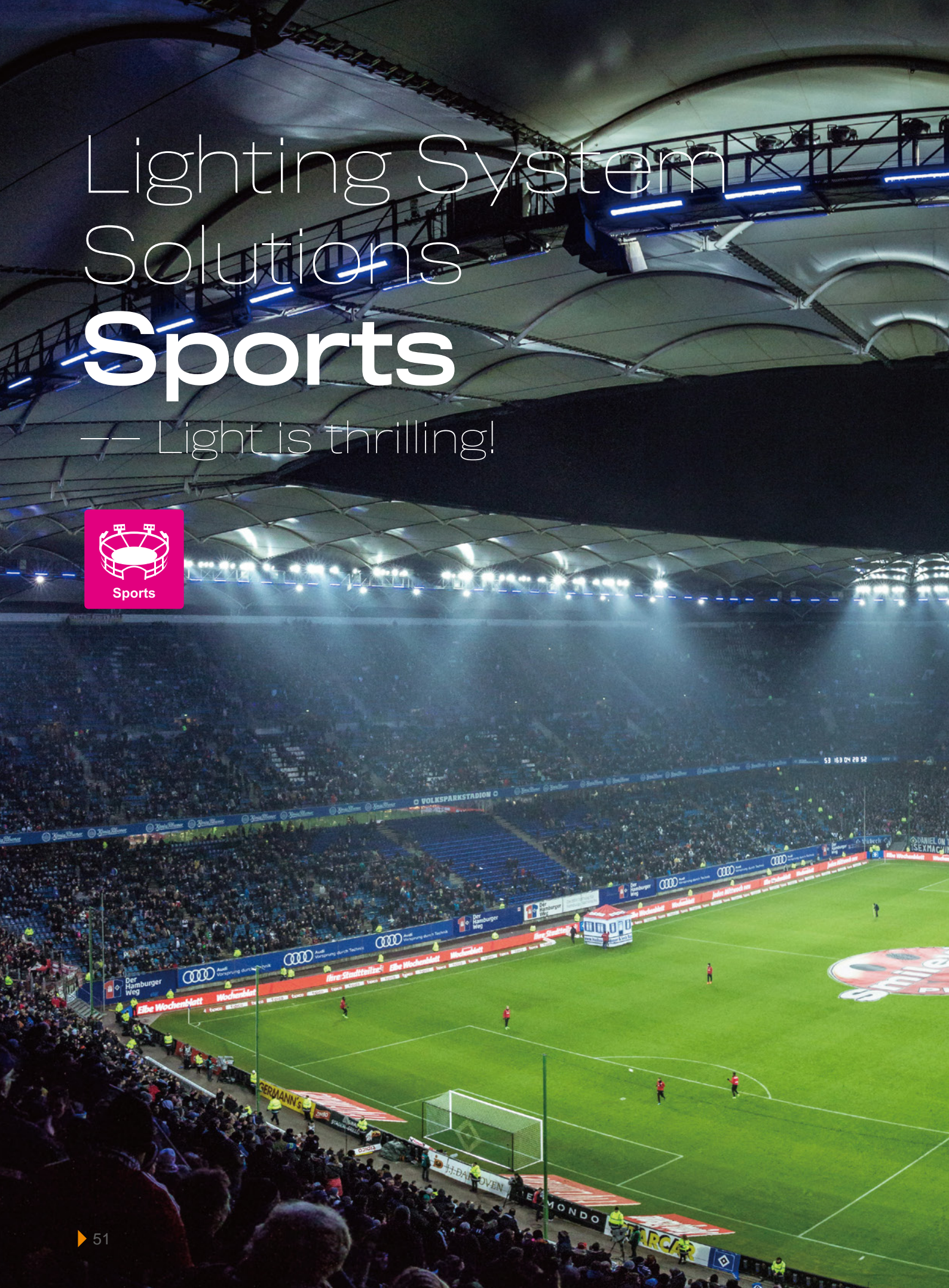
2.1 Connected - Constant Current	EUM-Mx, ESM-Mx	65
	EUM-Bx,ESM-Bx	68
	NFS-BC,NSS-BC	71
	NFM-Gx/Mx,NSM-Gx/Mx	73
	EFM-800Q/T	75
	ESM-1K0D/1K2T	77
	IT 0-10 Non-isolated BRICK	79
	NFM-760Q, NSM-1K2Q/1K5Q	81
2.2 Simple DIM - Constant Current	NFL-Mx	83
	NEL	84
	IT 0-10 N P67	85
	SUM-Mx/Hx, SSM-Mx/Hx	87
	SUM-MGS/MGR,SSM-MGS/MGR	90
2.4 Accessories	PU-10Kx05KBxA	92
	PU-20Kx10KTxx	92
	PU- 20KS10KHT	92
	PS-20KS10KHT	92
	SPD G3	93
	SPD 20/510 PL P5	93
	ACC-LID-NFS	93
	ACC-RVS-NFS	93

03 Light Modules & Accessories

3.1 Rigid	Planta Seed Brick	94
	Planta Seed Linear	95

Lighting System Solutions Sports

— Light is thrilling!





We craft 'Visual Referees' (IEEE 1789 flicker-free) with 1% super low ripple drivers, 'Endurance Guardians' (100,000h+ lifetime), and 'Scene Magicians' (44fps dynamic dimming) – so every stadium moment from a local training facility to an Olympic stadium, can enjoy their special moment worry free.

Expertise

Bring every pivotal moment to life with precision lighting that elevates your event's impact! For athletes, spectators, and broadcasters alike, unmatched performance demands certified illuminance levels, flawless uniformity, and real-time adaptability.



World-class



Dynamic control



**Durability &
Energy efficiency**

System Value

- Complete and harmonious lighting solutions with full - range LED drivers, modules and connectivity accessories, catering seamlessly to everything from training facilities to international sporting events.
- System compatibility relieve customers' worries.
- Reliable and long - lasting lighting design with 100,000+ hours lifetime and low maintenance requirements, ensuring stable operation in harsh environments.
- Flicker - free lighting design complies with IEEE 1789, providing a clear and comfortable visual experience for high – definition broadcasts.
- Precise and stable lighting control system supporting multiple protocols with as low as to 0.1% dimming and dynamic control up to 44fps, enabling personalized lighting adjustment for various sports scenarios.

Sub-applications

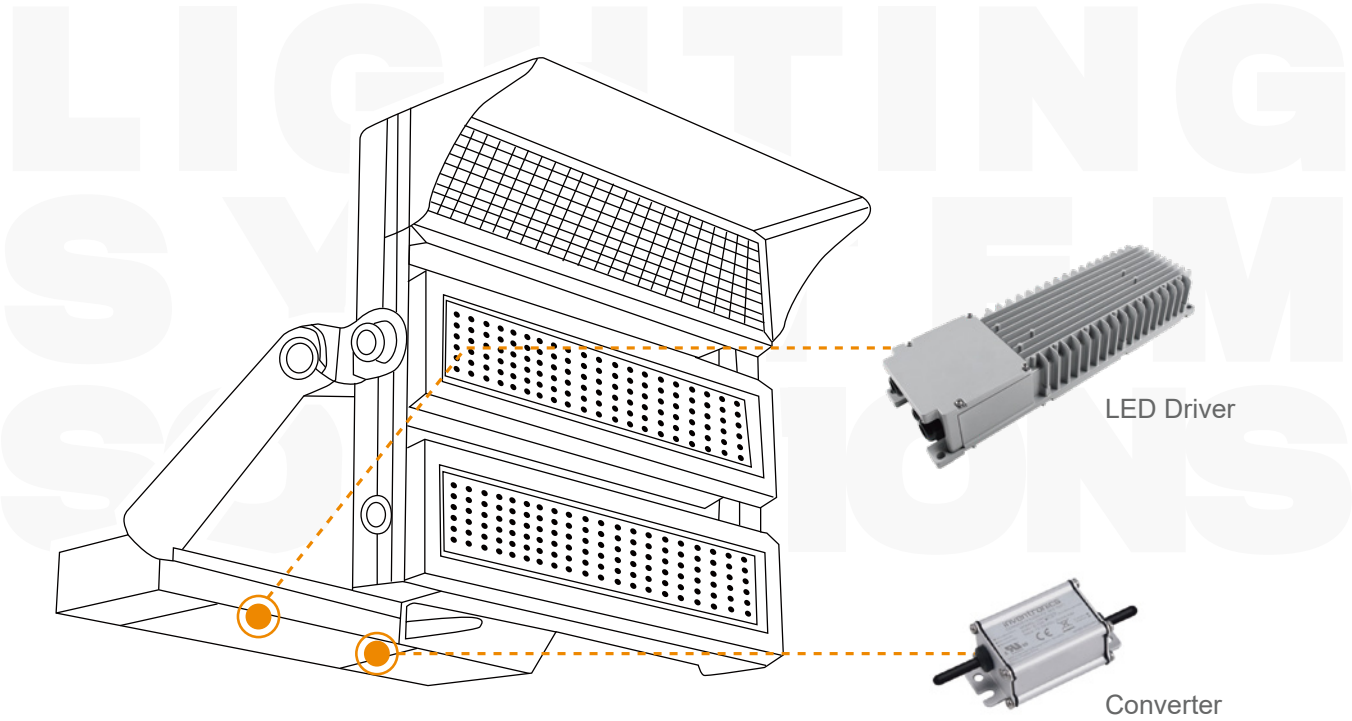


Professional



Semi-Professional

Lighting System Solutions



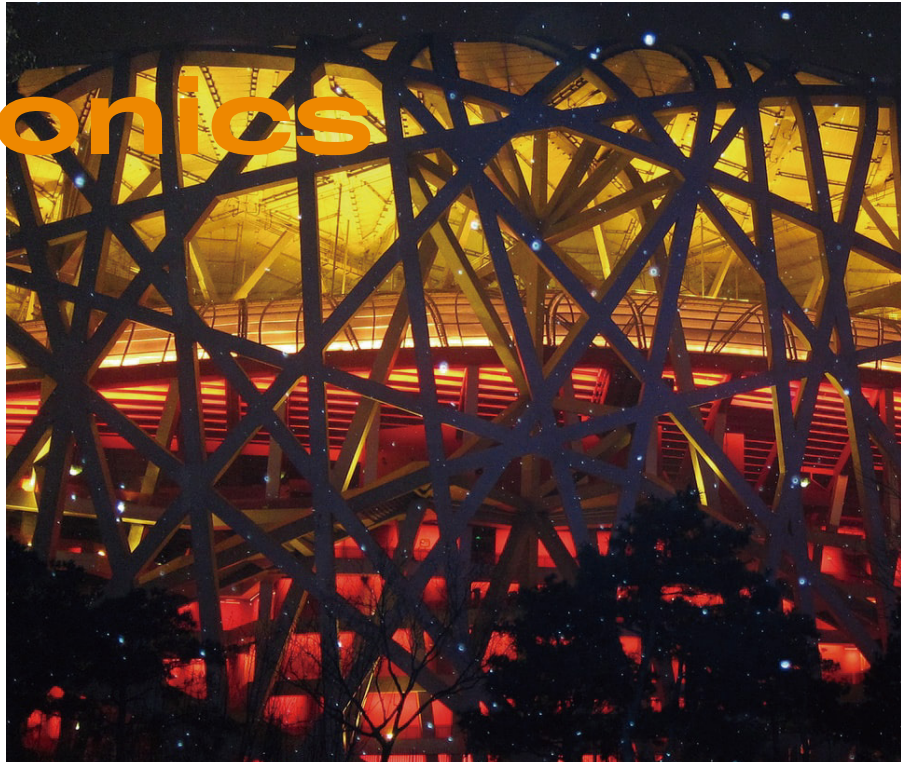
Training/Recreation



Ports/Airports

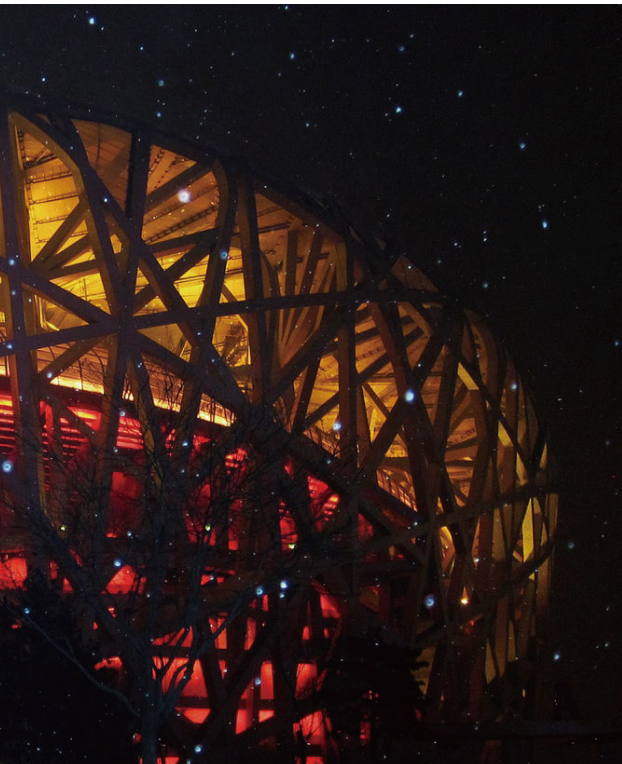
Inventronics Cases

The stadium where the 2008 Beijing Olympics were held, one of China's top ten contemporary buildings.
National Stadium, China



A tennis sanctuary bearing tournament passion and urban glory.
Olympic Park Tennis Courts, Korea





The largest sports landmark in East Africa and a shining example of Sino-African friendship and cooperation.

National Stadium, Tanzania



The pearl of Qiandao lake, the only indoor venue for the cycling events of the Hangzhou Asian Games.

Asian Games Velodrome, China

Lighting System
Solutions

Horticulture

— Light for sustainable growth!





We craft 'Spectrum Chefs' (dynamic 380-800nm tuning) with multi-channel drivers, 'Energy Savers' (97.5% efficiency), and 'Environment Guardians' (IP67 waterproofing) – so every plant savors a tailored light recipe, turning growers' harvests from weather-dependent to light-driven.

Expertise

At the core of every bountiful harvest lies precision lighting. As the global leader in agricultural LED drivers, Inventronics delivers durable, fully customizable systems that adapt to your crops' lifecycle needs: Our advanced Horticulture lighting systems deliver:



Evergreen reliability



**Dynamic spectrum control
to boost yields**



**Energy efficiency for
cutting utility costs**

System Value

- Multi-channel drivers with Power Transfer enabling dynamic 380-800nm wavelength adjustments to optimize photosynthesis boost yields.
- 97%+ driver efficiency with high luminous efficacy cuts energy costs.
- Multi-protocol support (0-10V/Digital dimming/ D4i) enable adaptive lighting strategies and fully controlled environment for harvest guarantee.
- IP67-rated waterproof drivers ensure reliable operation in humid greenhouses and extreme-temperature environments, minimizing downtime.
- Flexible lighting scheme setting with a precise control system.

Sub-applications

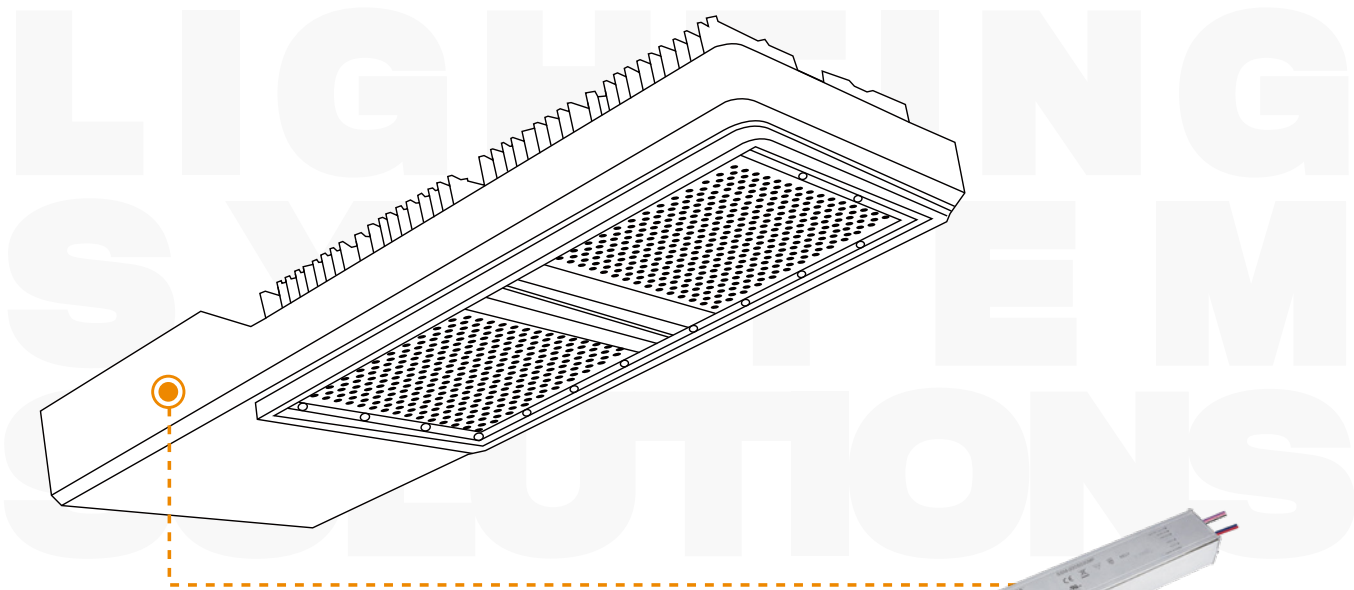


Greenhouse



In farming

Lighting System Solutions



LED Driver



Animal Farming



Aqua Culture



A green lab nurturing natural wonders with artificial light.

Green house, the Netherlands

Inventronics Cases





Every tomato is nurtured by the gentle embrace of lighting, each bite a burst of sweetness.

***Tomato Green house,
Belgium***

SOFTWARE

Software

Overview

Inventronics offers a comprehensive range of professional software solutions to support and configure its components.



T4T



Apps



Tuner4TRONIC

A software suite for OEMs that enables the configuration of all programmable OPTOTRONIC, ICUTRONIC, QUICKTRO NIC, and POWERTRONIC LED drivers during the luminaire manufacturing process.



DALI Wizard

A GUI tool for setting up, analyzing, and diagnosing DALI ECG installations, used in combination with the DALI Wizard control device.



PROGRAMMING TOOLS

Programming Tools

PRG-MUL2



FC CE

Features

- Programmer for All Inventronics DALI and 0-10V Programmable Drivers
- Offline Programming Capability
- Automatic Programming Mode

PRG-NFC-H



Features

- For Use with Inventronics NFC Enabled Drivers
- Zhaga Book 24 Compliant
- USB Powered
- IP30
- Connects to Inventronics Multi-Programmer

PRG-NFC-D2



Features

- For Use with Inventronics NFC Enabled Drivers
- Zhaga Book 24 Compliant
- USB Powered
- IP42
- Connects to Inventronics Multi-Programmer Software

DALI magic



Features

- USB DALI converter for Tuner4TRONIC and DALI wizard software for Windows PC
- Pushbutton to test DALI dimming without need of connection to computer
- Powered by USB or by included universal power supply
- Integrated automatic DALI supply of up to 64 devices (up to 4 if powered by USB)

CONVERTERS

Converters

DMX-RDM

CNV-DMXR2

Stadium/Stage Lighting Management Solutions



Features

- Converts DMX-RDM Signal to 0/1-10V Dimming Signal
- Compatible with RDM over DMX512 Networks with Bi-Directional Communication

DALI-2

CNV-DALI2

Stadium/Stage Lighting Management Solutions



Features

- Convert DALI-2 Signal to 0/1-10V Dimming Signal
- Comply with DALI-2 Protocol
- Powered By Auxiliary Power with 3-Wire Connection to Driver



EUM-Mx
ESM-Mx

Advantages

- High Efficiency (Up to 96.5%)
- Full Power at Wide Output Current Range (Constant Power)
- Adjustable Output Current (AOC) with Programmability
- Input Voltage Range: 90 ~ 305Vac(EUM-Mx) 249-528Vac(ESM-Mx)
- Always-on Auxiliary Power: 12Vdc, 250mA, 3W (Transient Peak Power up to 10W)
- Output Lumen Compensation
- End-of-Life Indicator
- Input Surge Protection: DM 6kV, CM 10kV
- All-Around Protection: IUVP, IOVP, OVP, SCP, OTP
- IP66 / IP67 and UL Dry / Damp / Wet Location
- TYPE HL, for Use in a Class I, Division 2 Hazardous (Classified) Location
- 5-Year Warranty

Dimming Functions

- Isolated 0-10V / PWM / 3-Timer-Modes Dimmable
- INV Digital Dimming, UART Based Communication Protocol
- Dim-to-Off with Standby Power

Safety Certifications



About EUM-Mx

The EUM-Mx series offers full power at a wide output current range and supply Controls-Ready features such as Dim-to-Off and an Always-On Auxiliary Power of 12Vdc, 250mA with a transient peak up to 10W to better power occupancy and daylight sensors. This provides a cost-optimized solution by removing the need for additional power packs and AC Relays. They offer a reliable performance with a high level of built-in surge protection and added Input Over Voltage (IOV) and Input Under Voltage (IUUV) protection to help against poor power quality supplies to the LED driver. The MG series provides a global cable to reduce inventory SKUs, the MT Series are UL Class P recognized and the MB series are BIS certified to offer a solution for a wide range of applications and regions.

About ESM-Mx

The ESM-Mx family are high input voltage Controls-Ready drivers offering OEMs a cost-optimized solution. They provide design flexibility with full power at a wide output current range. Their Controls-Ready features such as Dim-to-Off and an Always-On Auxiliary Power of 12Vdc, 250mA with a transient peak up to 10W to better power occupancy and daylight sensors. The ESM-Mx operates on a vast array of lighting control networks via a 0-10V dimming input. These IP66/IP67 drivers have industry-leading built-in surge protection and longer lifetimes for harsh environmental applications. They provide the added convenience of UL Class P (MT series) and models with a global cable to reduce inventory SKUs (MG series).

EUM-Mx

Output Power (W)	Product Name	Full-power Current Range(mA)	Output Voltage Range (Vdc)	Eff.@ 220Vac	Lifetime (hours)	Dimensions (L×W×H)(mm)
75	EUM-075S105Mx①	700 ~ 1050	36 ~ 107	90.5%	101,000 Tc= 70°C	142(125) × 67.5 × 36.5
	EUM-075S150Mx	1050 ~ 1500	25 ~ 72	89.5%		
	EUM-075S210Mx ★	1400 ~ 2100	18 ~ 54	89.0%		
100	EUM-100S105Mx	700 ~ 1050	48 ~ 143	92.5%	112,000 Tc= 70°C	148(131) × 67.5 × 36.5
	EUM-100S150Mx	1050 ~ 1500	34 ~ 95	92.5%		
	EUM-100S280Mx ★	1750 ~ 2800	17 ~ 54	91.0%		
150	EUM-150S105Mx	700 ~ 1050	72 ~ 214	93.5%	104,000 Tc= 70°C	178(161) × 67.5 × 36.5
	EUM-150S150Mx	1050 ~ 1500	50 ~ 143	93.0%		
	EUM-150S210Mx	1400 ~ 2100	36 ~ 107	92.5%		
	EUM-150S420Mx	2800 ~ 4200	18 ~ 54	91.5%		
200	EUM-200S105Mx	700 ~ 1050	95 ~ 286	93.5%	102,000 Tc= 70°C	188(171) × 67.5 × 36.5
	EUM-200S150Mx	1050 ~ 1500	67 ~ 190	93.5%		
	EUM-200S280Mx	1800 ~ 2800	36 ~ 111	93.0%		
	EUM-200S560Mx	3500 ~ 5600	18 ~ 57	92.0%		
240	EUM-240S105Mx	700 ~ 1050	115 ~ 343	94.0%	101,000 Tc= 70°C	218(201) × 67.5 × 38.5
	EUM-240S150Mx	1050 ~ 1500	80 ~ 229	93.5%		
	EUM-240S350Mx	2150 ~ 3500	35 ~ 111	93.0%		
	EUM-240S670Mx	4200 ~ 6700	18 ~ 57	92.5%		
320	EUM-320S105Mx	700 ~ 1050	153 ~ 457	94.5%	112,000 Tc= 70°C	243(224) × 80 × 44.5
	EUM-320S150Mx	1050 ~ 1500	107 ~ 305	94.0%		
	EUM-320S250Mx	1750 ~ 2500	64 ~ 183	94.0%		
	EUM-320S500Mx	2850 ~ 5000	32 ~ 112	93.5%		
	EUM-320S760Mx	5350 ~ 7600	21 ~ 60	92.5%		
400	EUM-400S150Mx	1050 ~ 1500	133 ~ 381	94.5%	113,000 Tc=70°C	262(243) × 90 × 43.5
	EUM-400S910Mx	7150 ~ 9100	24 ~ 56	94.0%		
480	EUM-480S140Mx	1050 ~ 1400	171 ~ 457	94.5%	102,000 Tc=70°C	262(243) × 90 × 43.5
	EUM-480S280Mx	2100 ~ 2800	86 ~ 228	94.0%		
	EUM-480S420Mx	3150 ~ 4200	57 ~ 152	94.0%		
	EUM-480S560Mx	4350 ~ 5600	43 ~ 110	94.0%		
	EUM-480S10AMx	8600 ~ 10000	24 ~ 56	94.0%		
680	EUM-680S170Mx	1250 ~ 1700	200 ~ 544	95.5%	107,000 Tc=70°C	275(250)×135 x 46
	EUM-680S240Mx	1800 ~ 2400	141.5 ~ 378	94.5%		
	EUM-680S350Mx	2600 ~ 3500	97.1 ~ 262	95.0%		
	EUM-680S560Mx	4200 ~ 5600	60.7 ~ 163	94.5%		
	EUM-680S840Mx	6300 ~ 8400	40.4 ~ 108	95.0%		
	EUM-680S15AMx	12600 ~ 15000	22.6 ~ 54	95.5%		
880	EUM-880S280Mx	1950 ~ 2800	157 ~ 452	95.0%	105,000 Tc= 70°C	275(250)×144 x 48.5
	EUM-880S420Mx	3000 ~ 4200	104 ~ 294	95.5%		
	EUM-880S700Mx	4900 ~ 7000	63 ~ 180	96.0%		
	EUM-880S11AMx	8000 ~ 11500	38 ~ 110	95.5%		
	EUM-880S20AMx	16300 ~ 20000	22 ~ 54	95.5%		

★ : Class 2 Model

① : x=G are UL Recognized, ENEC and CCC, etc. models; x=T are UL Class P models.

ESM-Mx

Output Power (W)	Product Name	Full-power Current Range(mA)	Output Voltage Range (Vdc)	Eff.@ 480Vac	Lifetime (hours)	Dimensions (L×W×H)(mm)
150	ESM-150S105Mx ^①	700 ~ 1050	72 ~ 214	93.5%	100,000 Tc=70°C	178(161)× 76.5× 38.5
	ESM-150S150Mx	1050 ~ 1500	50 ~ 143	93.0%		
	ESM-150S210Mx	1400 ~ 2100	36 ~ 107	92.5%		
	ESM-150S420Mx	2800 ~ 4200	18 ~ 54	92.0%		
240	ESM-240S105Mx	700 ~ 1050	115 ~ 343	94.0%	106,000 Tc= 70°C	218(201) × 76.5 × 38.5
	ESM-240S150Mx	1050 ~ 1500	80 ~ 229	93.5%		
	ESM-240S350Mx	2150 ~ 3500	35 ~ 111	93.0%		
	ESM-240S670Mx	4200 ~ 6700	18 ~ 57	92.5%		
320	ESM-320S105Mx	700 ~ 1050	153 ~ 457	95.0%	105,000 Tc= 70°C	243(224) × 85 × 44.5
	ESM-320S150Mx	1050 ~ 1500	107 ~ 305	94.5%		
	ESM-320S250Mx	1750 ~ 2500	64 ~ 183	94.5%		
	ESM-320S500Mx	2850 ~ 5000	32 ~ 112	94.0%		
480	ESM-480S140Mx	1050 ~ 1400	171 ~ 457	95.5%	100,000 Tc=70°C	262(243) × 90 × 43.5
	ESM-480S280Mx	2100 ~ 2800	86 ~ 228	95.5%		
	ESM-480S420Mx	3150 ~ 4200	57 ~ 152	95.0%		
	ESM-480S560Mx	4350 ~ 5600	43 ~ 110	95.0%		
680	ESM-480S10AMx	8600 ~ 10000	24 ~ 56	95.0%	102,000 Tc= 70°C	Mx: 275(250) × 135 x 46 MGS: 300(275) x 151 x 46
	ESM-680S170Mx/MGS	1250 ~ 1700	200 ~ 544	96.0%		
	ESM-680S240Mx/MGS	1800 ~ 2400	141.5 ~ 378	95.5%		
	ESM-680S350Mx/MGS	2600 ~ 3500	97.1 ~ 262	95.5%		
	ESM-680S560Mx/MGS	4200 ~ 5600	60.7 ~ 163	95.5%		
880	ESM-680S840Mx/MGS	6300 ~ 8400	40.4 ~ 108	95.5%	100,000 Tc= 70°C	Mx: 275(250)x144 x 48.5 MGS: 300(275) x 160 x 48.5
	ESM-680S15AMx/MGS	12600 ~ 15000	22.6 ~ 54	94.5%		
	ESM-880S280Mx/MGS	1950 ~ 2800	157 ~ 452	96.0%		
	ESM-880S420Mx/MGS	3000 ~ 4200	104 ~ 294	95.5%		
	ESM-880S700Mx/MGS	4900 ~ 7000	63 ~ 180	96.0%		
1200	ESM-880S11AMx/MGS	8000 ~ 11500	38 ~ 110	95.0%	101,000 Tc= 70°C	Mx: 310(285) × 141 × 48.5 MGS: 330(305) × 166.5 × 49.5
	ESM-880S20AMx/MGS	16300 ~ 20000	22 ~ 54	95.5%		
	ESM-1K2S350Mx/MGS	2600 ~ 3500	171 ~ 462	96.5%		
1200	ESM-1K2S525Mx/MGS	3950 ~ 5250	114 ~ 304	96.0%	101,000 Tc= 70°C	Mx: 310(285) × 141 × 48.5 MGS: 330(305) × 166.5 × 49.5
	ESM-1K2S740Mx/MGS	5550 ~ 7400	81 ~ 217	96.5%		

① : x=G are UL Recognized, ENEC and CCC, etc. models; x=T are UL Class P models.



Advantages

- High Efficiency (Up to 96%)
- Full Power at Wide Output Current Range (Constant Power)
- Adjustable Output Current (AOC) with NFC
- Input Voltage Range: 90 ~ 305Vac(EUM-Bx) 249-528Vac(ESM-Bx)
- Integrated Power Metering with High Accuracy up to $\pm 1\%$
- Output Lumen Compensation
- End-of-Life Indicator
- Thermal Sensing and Protection for LED Module
- Surge Protection: CM 6kV, DM10kV
- IP66 / IP67 and UL Dry / Damp / Wet Location
- TYPE HL, for Use in a Class I, Division 2 Hazardous (Classified) Location
- 7 Years Warranty

Dimming Functions

- DALI-2 and D4i Certified
- 3-Timer-Modes Dimmable
- Dim-to-Off with Low Standby Power

Safety Certifications



global-mark

About EUM-Bx

The EUM-Bx series is DALI-2 D4i certified, allowing for extensive health diagnostics tracking for the LED driver, seamless plug-and-play controls, and standardization of intra-luminaire designs. They are extremely flexible with wireless programmability via Near Field Communication (NFC) to help OEMs streamline production and simplify installation. The EUM-Bx series is Controls-Ready with Dim-to-Off and Always-On Auxiliary Power of 24Vdc, 125mA with a transient peak up to 10W. They also provide the added convenience of integrated power monitoring allowing users to measure energy consumption. The BG series provides a global cable to reduce inventory SKUs, the BT Series are UL Class P recognized, and the BB series are BIS certified to offer a solution for a wide range of applications and regions. Available also as DALI-2 in Class I and Class II (EUM-Ex and EUM-EE)

About ESM-Bx

The ESM-Bx series is DALI-2 D4i certified which allows the tracking and monitoring of health diagnostics for LED drivers, provides plug-and-play controls, and standardizes intra-luminaire designs. They are extremely flexible with wireless programmability via Near Field Communication (NFC) to help OEMs streamline production and simplify installation. The ESM-Bx series is Controls-Ready with Dim-to-Off and Always-On Auxiliary Power of 24Vdc, 125mA with a transient peak up to 10W. They also provide the added convenience of integrated power monitoring allowing users to measure energy consumption. The BG models utilize globally accepted cables that help reduce SKUs, the BT models provide UL Class P certification.

EUM-Bx



Output Power (W)	Product Name	Full-power Current Range(mA)	Output Voltage Range (Vdc)	Eff.@ 220Vac	Lifetime (hours)	Dimensions (L×W×H)(mm)
75	EUM-075S105Bx ^①	700 ~ 1050	36 ~ 107	90.5%	101,000 Tc= 70°C	142(125) × 67.5 × 36.5
	EUM-075S150Bx	1050 ~ 1500	25 ~ 72	89.5%		
	EUM-075S210Bx ★	1400 ~ 2100	18 ~ 54	89.0%		
100	EUM-100S105Bx	700 ~ 1050	48 ~ 143	92.5%	112,000 Tc= 70°C	148(131) × 67.5 × 36.5
	EUM-100S150Bx	1050 ~ 1500	34 ~ 95	92.5%		
	EUM-100S280Bx ★	1750 ~ 2800	17 ~ 54	91.0%		
150	EUM-150S105Bx	700 ~ 1050	72 ~ 214	93.5%	104,000 Tc= 70°C	178(161) × 67.5 × 36.5
	EUM-150S150Bx	1050 ~ 1500	50 ~ 143	93.0%		
	EUM-150S210Bx	1400 ~ 2100	36 ~ 107	92.5%		
	EUM-150S420Bx	2800 ~ 4200	18 ~ 54	91.5%		
200	EUM-200S105Bx	700 ~ 1050	95 ~ 286	93.5%	102,000 Tc= 70°C	188(171) × 67.5 × 36.5
	EUM-200S150Bx	1050 ~ 1500	67 ~ 190	93.5%		
	EUM-200S280Bx	1800 ~ 2800	36 ~ 111	93.0%		
	EUM-200S560Bx	3500 ~ 5600	18 ~ 57	92.0%		
240	EUM-240S105Bx	700 ~ 1050	115 ~ 343	94.0%	101,000 Tc= 70°C	218(201) × 67.5 × 38.5
	EUM-240S150Bx	1050 ~ 1500	80 ~ 229	93.5%		
	EUM-240S350Bx	2150 ~ 3500	35 ~ 111	93.0%		
	EUM-240S670Bx	4200 ~ 6700	18 ~ 57	92.5%		
320	EUM-320S105Bx	700 ~ 1050	153 ~ 457	94.5%	112,000 Tc=70°C	243(224) × 80 × 44.5
	EUM-320S150Bx	1050 ~ 1500	107 ~ 305	94.0%		
	EUM-320S250Bx	1750 ~ 2500	64 ~ 183	94.0%		
	EUM-320S500Bx	2850 ~ 5000	32 ~ 112	93.5%		
	EUM-320S760Bx	5350 ~ 7600	21 ~ 60	92.5%		
480	EUM-480S140BG	1050 ~ 1400	171 ~ 457	95.0%	110,000 Tc=70°C	262(243) × 90 × 43.5
	EUM-480S280BG	2100 ~ 2800	86 ~ 228	95.0%		
	EUM-480S420BG	3150 ~ 4200	57 ~ 152	94.0%		
	EUM-480S560BG	4350 ~ 5600	43 ~ 110	94.0%		
	EUM-480S10ABG	8600 ~ 10000	24 ~ 56	94.0%		
680	EUM-680S170BG	1250 ~ 1700	200 ~ 544	95.5%	107,000 Tc=70°C	275(250) × 135 × 46
	EUM-680S240BG	1800 ~ 2400	141.5 ~ 378	94.5%		
	EUM-680S350BG	2600 ~ 3500	97.1 ~ 262	95.0%		
	EUM-680S560BG	4200 ~ 5600	60.7 ~ 163	94.5%		
	EUM-680S840BG	6300 ~ 8400	40.4 ~ 108	95.0%		
	EUM-680S15ABG	12600 ~ 15000	22.6 ~ 54	95.5%		

★ : Class 2 Model

① : x=G are UL Recognized, ENEC and CCC, etc. models; x=T are UL Class P models; x=B are BIS models.

ESM-Bx

Output Power (W)	Product Name	Full-power Current Range(mA)	Output Voltage Range (Vdc)	Eff.@ 480Vac	Lifetime (hours)	Dimensions (L×W×H)(mm)
100	ESM-100S105Bx①	700 ~ 1050	48 ~ 143	92.0%	100,000 Tc=70°C	148(131) × 76.5 × 38.5
	ESM-100S150Bx	1050 ~ 1500	34 ~ 95	91.5%		
	ESM-100S280Bx	1750 ~ 2800	17 ~ 54	90.5%		
150	ESM-150S105Bx	700 ~ 1050	72 ~ 214	93.0%	100,000 Tc=70°C	178(161) × 76.5 × 38.5
	ESM-150S150Bx	1050 ~ 1500	50 ~ 143	93.0%		
	ESM-150S210Bx	1400 ~ 2100	36 ~ 107	92.5%		
	ESM-150S420Bx	2800 ~ 4200	18 ~ 54	92.0%		
240	ESM-240S105Bx	700 ~ 1050	115 ~ 343	94.0%	106,000 Tc=70°C	218(201) × 76.5 × 38.5
	ESM-240S150Bx	1050 ~ 1500	80 ~ 229	93.5%		
	ESM-240S350Bx	2150 ~ 3500	35 ~ 111	93.0%		
	ESM-240S670Bx	4200 ~ 6700	18 ~ 57	92.5%		
320	ESM-320S105Bx	700 ~ 1050	153 ~ 457	95.0%	105,000 Tc=70°C	243(224) × 85 × 44.5
	ESM-320S150Bx	1050 ~ 1500	107 ~ 305	94.5%		
	ESM-320S250Bx	1750 ~ 2500	64 ~ 183	94.5%		
	ESM-320S500Bx	2850 ~ 5000	32 ~ 112	94.0%		
	ESM-320S760Bx	5350 ~ 7600	21 ~ 60	94.0%		
480	ESM-480S140BG	1050 ~ 1400	171 ~ 457	95.0%	100,000 Tc=70°C	262(243) × 90 × 43.5
	ESM-480S280BG	2100 ~ 2800	86 ~ 228	94.0%		
	ESM-480S420BG	3150 ~ 4200	57 ~ 152	95.0%		
	ESM-480S560BG	4350 ~ 5600	43 ~ 110	94.5%		
	ESM-480S10ABG	8600 ~ 10000	24 ~ 56	94.5%		
680	ESM-680S170BG	1250 ~ 1700	200 ~ 544	96.0%	102,000 Tc=70°C	275(250) × 135× 46
	ESM-680S240BG	1800 ~ 2400	141.5 ~ 378	95.5%		
	ESM-680S350BG	2600 ~ 3500	97.1 ~ 262	95.5%		
	ESM-680S560BG	4200 ~ 5600	60.7 ~ 163	95.5%		
	ESM-680S840BG	6300 ~ 8400	40.4 ~ 108	95.5%		
	ESM-680S15ABG	12600 ~ 15000	22.6 ~ 54	94.5%		



① : x=G are UL Recognized, ENEC and CCC, etc. models; x=T are UL Class P models; x=B are BIS models.



Advantages

- Input Voltage Range: 180 ~ 528Vac (NFS-BC), 249-528Vac (NSS-BC)
- Non-Isolated Class I Driver
- No Afterglow
- Dim-to-Off with Standby Power $\leq 0.5W$ @ 230Vac(NFS)
- Dimming Range: 0.1%-100%
- Adjustable Output Current (AOC) with NFC
- Anode Output Connection (NFS-1K2D210BC)
2*600W Independent Programmable Channels & Support Common
- Anode Output Connection (NFS-1K8T210BC)
3*600W Independent Programmable Channels & Support Common
- Max Remote Distance Up to 300 Meter
- Ultra High Efficiency (Up to 97.5%)
- Full Power at Wide Output Current Range (Constant Power)
- Single-Channel (1*DT6 or 1*DMX) Operating Mode (NFS-600S210BC)
- Multi-Channel (2*DT6 or 2*DMX) Operating Mode (NFS-1K2D210BC)
- Multi-Channel (up to 3*DT6 or 3*DMX) Operating Mode (NFS-1K8T210BC)
- DALI-2/DMX-RDM Controls Up to 44 fps
- Integrated Power Metering with High Accuracy up to $\pm 1\%$
- Thermal Sensing and Protection for LED Module
- Low Inrush Current
- Output Lumen Compensation
- End-of-Life Indicator
- Input Surge Protection: DM 10kV, CM 10kV
- All-Around Protection: IOVP, IUVP, OVP, SCP, OTP, OPP
- IP66
- IK08 Enclosure
- 5-Year Warranty

About NFS-BC & NSS-BC

The NFS family features a non-isolated design, enhancing its ultrahigh efficiency performance. It incorporates a remarkably wide input range spanning from 180-528Vac and supports various dimming methods like DALI-2/D4i, DMX/RDM, etc. Additionally, the NFS family offers a junction box to streamline the luminaire design and provides 1-CH, 2-CH, and 3-CH output designs. Available also for Input Voltage 249-528Vac(NSS-BC)

Dimming Functions

DALI-2 and D4i Certified & DMX-RDM & 3-Timer-Modes Dimmable

Safety Certifications



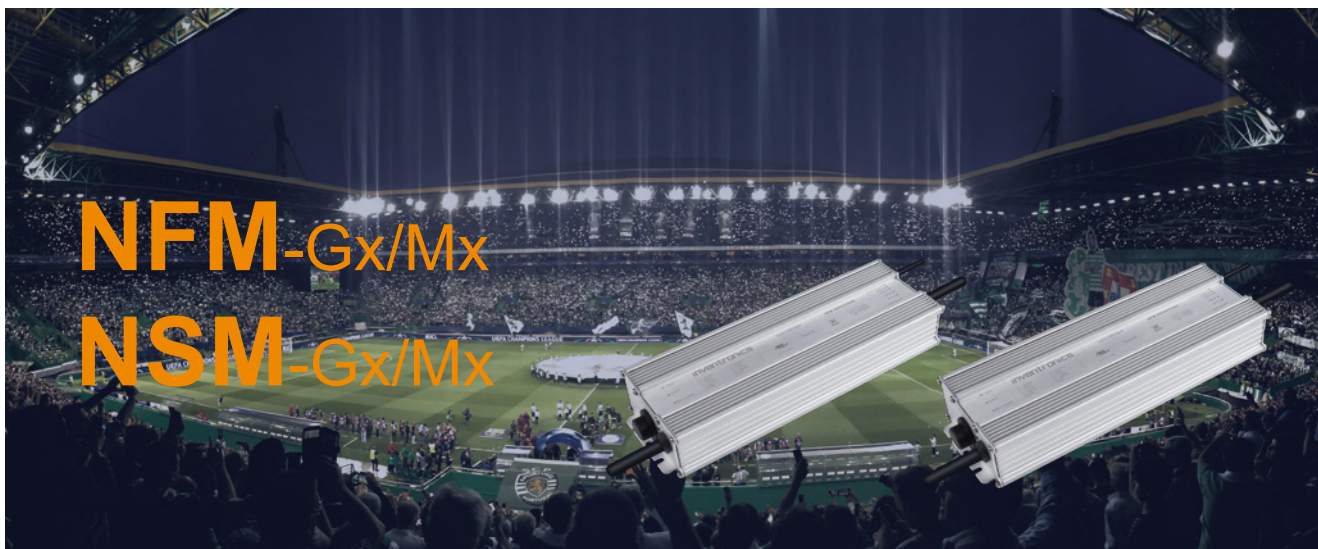
NFS-BC

Output Power (W)	Product Name	Full-power Current Range(mA)	Output Voltage Range (Vdc)	Eff.@480Vac	Lifetime (hours)	Dimensions (L×W×H)(mm)
600	NFS-600S210BC	1200 ~ 2100	176 ~ 500	97.0%	100,000 Tc=70°C	310 × 145 × 70
900	NFS-900S360BC	1800 ~ 3600	150 ~ 500	97.5%	100,000 Tc=70°C	310 × 145 × 70
1200	NFS-1K2D210BC	1200 ~ 2100	176 ~ 500	97.0%	100,000 Tc=70°C	500 × 152 × 80
1800	NFS-1K8T210BC	1200 ~ 2100	176 ~ 500	97.5%	115,000 Tc=70°C	500 × 152 × 80



NSS-BC

Output Power (W)	Product Name	Full-power Current Range(mA)	Output Voltage Range (Vdc)	Eff.@480Vac	Lifetime (hours)	Dimensions (L×W×H)(mm)
700	NSS-700S210BC	1400 ~ 2100	176 ~ 500	97.0%	100,000 Tc=70°C	310 × 145 × 70
1200	NSS-1K2S360BC	2400 ~ 3600	176 ~ 500	97.5%	102,000 Tc=70°C	310 × 145 × 70
1500	NSS-1K5D210BC	1500 ~ 2100	176 ~ 500	97.0%	100,000 Tc=70°C	500 × 152 × 80
2100	NSS-2K1T210BC	1400 ~ 2100	176 ~ 500	97.5%	110,000 Tc=70°C	500 × 152 × 80



NFM-Gx/Mx
NSM-Gx/Mx

Advantages

- Input Voltage Range: 180 ~ 528Vac (NFM-Gx/Mx), 249 ~ 528Vac (NSM-Gx/Mx)
- Non-Isolated Class I Driver
- No Afterglow
- Ultra High Efficiency (Up to 97.5%)
- Full Power at Wide Output Current Range (Constant Power)
- Adjustable Output Current (AOC) with NFC
- Adjustable Dimming Curve
- Hold Time Adjustable
- Fade Time Adjustable
- Always-on Auxiliary Power: 12Vdc, 250mA (Except DMX-RDM Mode)
- Minimum Dimming Level Supports 0.1% for DALI-2 and DMX-RDM (Gx Models)
- Minimum Dimming Level Supports 1% for 0-10V, PWM, Resistor, and Digital Dimming
- Controls Up to 44 fps
- Integrated Power Metering with High Accuracy Up to ±1%
- Low Inrush Current
- Output Lumen Compensation
- End-of-Life Indicator
- Input Surge Protection: DM 10kV, CM 10kV
- All-Around Protection: OPP, IOVP, IUVP, OVP, SCP, OTP
- IP66 / IP67 and UL Dry / Damp / Wet Location
- TYPE HL, for Use in a Class I, Division 2 Hazardous (Classified) Location
- 5-Year Warranty

About NFM-Gx/Mx & NSM-Gx/Mx

The NFM family features a non-isolated design that delivers highly efficient performance. It incorporates an exceptionally wide input range from 180-528Vac and supports multiple dimming methods including DALI-2/D4i, DMX/RDM, 0-10V, and more. Available also for Input Voltage 249-528Vac (NSM-Gx/Mx).

Dimming Functions

- DALI-2 and D4i Certified (Gx Model)
- DALI-2 & DMX-RDM Dimmable & 0-10V & PWM & 3-Timer-Modes Dimmable & Resistor (Gx Model)
- Adjustable 0-10V & PWM & 3-Timer-Modes Dimmable & Resistor (Mx Model)
- INV Digital Dimming, UART Based Communication Protocol

Safety Certifications



NFM-Gx/Mx

Output Power (W)	Product Name	Full-power Current Range(mA)	Output Voltage Range (Vdc)	Eff.@ 480Vac	Lifetime (hours)	Dimensions (L×W×H)(mm)
500	NFM-500S200Gx/Mx ^①	1000 ~ 2000	150 ~ 500	96.0%	120,000 Tc=70°C	262(245) × 76.5 × 38.5
680	NFM-680S270Gx/Mx	1360 ~ 2700	150 ~ 500	97.0%	120,000 Tc=70°C	275(256) × 90 × 43.5
880	NFM-880S350Gx/Mx	1760 ~ 3500	150 ~ 500	97.0%	120,000 Tc=70°C	275(253) × 108 × 44.5
1200	NFM-1K2S480Gx/Mx	2400 ~ 4800	150 ~ 500	97.5%	108,000 Tc=70°C	310(288) × 108 × 48.5
1600	NFM1K6S640Gx/Mx	3200 ~ 6400	150 ~ 500	98.0%	50,000 Tc=80°C	310(285) × 141 × 48.5

NSM-Gx/Mx

Output Power (W)	Product Name	Full-power Current Range(mA)	Output Voltage Range (Vdc)	Eff.@ 480Vac	Lifetime (hours)	Dimensions (L×W×H)(mm)
680	NSM-680S200Gx/Mx	1360 ~ 2000	150 ~ 500	97.0%	120,000 Tc=70°C	262(245) × 76.5 × 38.5
880	NSM-880S270Gx/Mx	1760 ~ 2700	150 ~ 500	97.5%	120,000 Tc=70°C	275(256) × 90 × 43.5
1200	NSM-1K2S350Gx/Mx	2400 ~ 3500	150 ~ 500	Gx: 97.0% Mx: 97.5%	120,000 Tc=70°C	275(253) × 108 × 44.5
1500	NSM-1K5S480Gx/Mx	3000 ~ 4800	150 ~ 500	97.5%	120,000 Tc=70°C	310(288) × 108 × 48.5
2000	NSM2K0S640Gx/Mx	4000 ~ 6400	150 ~ 500	98.0%	50,000 Tc=80°C	310(285) × 141 × 48.5

① : x = G are UL Recognized, ENEC and CCC, etc. models; x = T are UL Class P models



Advantages

- Ultra High Efficiency (Up to 95%)
- Input Voltage Range: 180 ~ 528Vac
- Full Power at Wide Output Current Range (Constant Power)
- Adjustable Output Current (AOC) with NFC
- DALI-2 and D4i Certified
- DALI-2&DMX-RDM Dimmable
- Multi-channel (up to 4*DT6 or 4*DMX) Operating Mode
- Controls Up to 44 fps
- Dim-to-Off
- Dimming Range: 0.1%-100%
- Always-on Auxiliary Power: 24Vdc, 125mA (Except DMX-RDM mode)
- Low Inrush Current
- Output Lumen Compensation
- End-of-Life Indicator
- Input Surge Protection: DM 6kV, CM 10kV
- All-Around Protection: IUVP, IOVP, OVP, SCP, OTP
- IP66 / IP67 and UL Dry / Damp / Wet Location
- TYPE HL, for Use in a Class I, Division 2 Hazardous (Classified) Location
- 5 Years Warranty

Dimming Functions

- DALI-2 & D4i & DMX-RDM
- DIM-to-off

Safety Certifications



About EFM-800Q/T

The EFM series is 800W, 3 or 4 channels, constant-current, programmable LED driver that operates from 180-528Vac input with excellent power factor. The dimming control supports DALI-2 & D4i & DMX-RDM with multiple channel output to enable dynamic color control in sports or outdoor lighting. It provides an auxiliary 24V output and dim-to-off functionality for powering low voltage, wireless controls.

Output Power (W)	Product Name	Full-power Current Range(mA)	Output Voltage Range (Vdc)	Eff.@480Vac	Lifetime (hours)	Dimensions (L×W×H)(mm)
200	EFM-800Q105BT	700 ~ 1050	150 ~ 286	95.0%	52,000 Tc=80°C	310(285) × 141 × 48.5
200		700 ~ 1050	150 ~ 286			
200		700 ~ 1050	150 ~ 286			
200		700 ~ 1050	150 ~ 286			
267	EFM-800T140BT	950 ~ 1400	150 ~ 286	95.0%	52,000 Tc=80°C	310(285) × 141 × 48.5
267		950 ~ 1400	150 ~ 286			
267		950 ~ 1400	150 ~ 286			





Advantages

- Three Independent Output Channels and Independent Dimming
- Independent Dimming and Dim-to-Off
- Power Transfer Settable When 100W Channel is Off Status (1K0D)
- 135W Channel Power Transfer (Optional) (1K2T Model)
- Ultra High Efficiency (Up to 95.0%)
- Input Voltage Range: 249 ~ 528Vac
- Full Power at Wide Output Current Range (Constant Power)
- Adjustable Output Current (AOC) with Programmability
- Maximum Dimming Level with 9V or 10V Selectable
- Fade Time Adjustable
- Always-on Auxiliary Power: 12Vdc, 250mA
- Low Inrush Current
- Output Lumen Compensation
- End-of-Life Indicator
- Input Surge Protection: DM 6kV, CM 10kV
- All-Around Protection: IOVP, IUVP, OVP, SCP, OTP
- Hot-Plugging Protection
- Parallel LED Protection
- IP66 / IP67 and UL Dry / Damp / Wet Location
- TYPE HL, for Use in a Class I, Division 2 Hazardous (Classified) Location
- 5-Year Warranty

About ESM-1K0D/1K2T

Inventronics 1000W/1200W products with multiple channels support 2/3-channel luminaires, allowing separate adjustment of current for each channel. These products also offer auxiliary voltage and Dim-to-Off functionality for powering low-voltage wireless controls. Additionally, they feature a power transfer function when a 100W channel is dimmed to off.

Dimming Functions

- Isolated 0-10V/PWM/3-Timer-Modes Dimmable
- INV Digital Dimming, UART Based Communication Protocol
- Dim-to-Off with Standby Power

Safety Certifications



Product Name	Channel	Output Power (W)	Full-power Current Range(mA)	Output Voltage Range (Vdc)	Eff. @ 220Vac	Lifetime (hours)	Dimensions (L×W×H)(mm)
ESM-1K0D610Mx ①	1	900	4600 ~ 6100	110 ~ 195	94.5%	119,000 Tc=70°C	349(324) × 144 × 48.5
	2	100	1850 ~ 2100	34 ~ 54			

Product Name	Channel	Output Power (W)	Full-power Current Range(mA)	Output Voltage Range (Vdc)	Eff. @ 480Vac	Lifetime (hours)	Dimensions (L×W×H)(mm)
ESM-1K2T570Mx	1	930	4600 ~ 5700	81 ~ 202	95.0%	120,000 Tc=70°C	379(354) × 144 × 48.5
ESM-1K2T570Mx	2	135	1850 ~ 2100	45 ~ 73	95.0%		
ESM-1K2T570Mx	3	135	1850 ~ 2100	45 ~ 73	95.0%		



① : x = G are UL recognized, ENEC, etc. models; x = T are UL recognized, etc. models.



Advantages

- Non-Isolated Design with Low Residual Output Voltage < 2 kV
- No Afterglow on Specific Models
- Ultra High Efficiency (Up to 97%)
- Full Power at Wide Output Current Range (Constant Power)
- Adjustable Output Current (AOC) with T4T (Tuner4TRONIC)
- Dim-to-Off with Standby Power ≤ 0.5 W
- Adjustable Dimming Curve
- Always-on Auxiliary Power: 12Vdc, 200mA
- End-of-Life Indicator
- Override Dimming
- Constant Lumen
- Additional port (BM+) for current setting via external Dip Switch
- Additional port (OP+) for external Light Sensor
- Input Surge Protection: DM 6kV, CM 6kV
- All-Around Protection: OTP, OVP, SCP

Dimming Functions

- Isolated 0(1)-10V/PWM/Resistor/AstroDIM(Timer)

About IT 0-10 Non-isolated BRICK

The BRICK IT 0-10 /100-277/N y series is a constant-current and IP20 rated LED driver that operates from 90-305Vac input with excellent power factor. Created for area lighting application, this family provides an auxiliary voltage and dim-to-off functionality for powering low voltage sensors. The dimming control supports 0(1)-10V, PWM dimming, resistor dimming, and AstroDIM dimming. The high efficiency of these drivers and compact metal case enables them to run cooler, significantly improving reliability and extending product life. To ensure trouble-free operation, protection is provided against input surge, output over voltage, short circuit, and over temperature.

Safety Certifications



EAN	Product Name	Output Power (W)	Connection	Adjustable Current Range(mA)	Min Dimming Output Current(mA)	Output Voltage (Vdc)	Efficiency (max.)	Dimensions (L×W×H) (mm)
6937186162281	IT 0-10 100/100-277/0A5/N E A12 OP	100	Push Terminal	33-500	33	180-300	96.0%	120.6 x 55 x 33
6937186162304	IT 0-10 150/100-277/0A75/N E A12 OP	150	Push Terminal	50-750	50	180-300	96.5%	120.6 x 55 x 33
6937186162328	IT 0-10 200/100-277/0A9/N E A12 OP	200	Push Terminal	67-900	67	180-300	96.0%	135.6 x 55 x 33
6937186162342	IT 0-10 240/100-277/1A1/N E A12 OP	240	Push Terminal	80-1100	80	180-300	97.0%	135.6 x 55 x 33
6937186162366	IT 0-10 320/100-277/1A6/N E A12 OP	320	Push Terminal	107-1600	107	180-300	96.5%	176.6 x 55 x 3
6937186162885	IT 0-10 100/100-277/0A5/N F A12 OP	100	Flying Leads	33-500	33	180-300	96.0%	120.6 x 55 x 33
6937186162908	IT 0-10 150/100-277/0A75/N F A12 OP	150	Flying Leads	50-750	50	180-300	96.5%	120.6 x 55 x 33
6937186162922	IT 0-10 200/100-277/0A9/N F A12 OP	200	Flying Leads	67-900	67	180-300	96.0%	135.6 x 55 x 33
6937186162946	IT 0-10 240/100-277/1A1/N F A12 OP	240	Flying Leads	80-1100	80	180-300	97.0%	135.6 x 55 x 33
6937186162960	IT 0-10 320/100-277/1A6/N F A12 OP	320	Flying Leads	107-1600	107	180-300	96.5%	176.6 x 55 x 3



① : x = G are UL recognized, ENEC, etc. models; x = T are UL recognized, etc. models.



Advantages

- Non-Isolated Design with Low Residual Output Voltage
- Independent Four Output Channels
- Output Power Transfer
- Limit the maximum input power or the maximum output power are selectable
- Full Power at Wide Output Current Range (Constant Power)
- Input Voltage Range: 180~528Vac(NFM), 249~528Vac (NSM)
- Adjustable Output Current (AOC) with Programmability
- Integrated Power Metering with High Accuracy up to $\pm 1\%$
- Hold Time Adjustable
- Fade Time Adjustable
- Always-on Auxiliary Power: 12Vdc, 500mA
- Low Inrush Current
- Output Lumen Compensation
- End-of-Life Indicator
- Input Surge Protection: DM 6kV, CM 10kV
- All-Around Protection: IUVP, IOVP, OVP, SCP, OTP, OPP
- 5 Years Warranty

About NFM-760Q NSM-1K2Q/1K5Q

The NFM series is a 4-channel, constant-current, programmable LED driver that operates from 180-528Vac input with excellent power factor, featuring a non-isolated design that delivers highly efficient performance. The dimming control supports two-way communication via Digital Dimming, a UART-based communication protocol with power transfer features to enable high-efficiency multi-channel solutions for horticultural lighting. Available also for Input Voltage 249-528Vac (NSM-Mx).

Dimming Functions

- INV Digital Dimming, UART Based Communication Protocol
- Dim-to-Off

Safety Certifications



NFM-Mx-760Q

Output Power (W)	Product Name	Full-power Current Range(mA)	Output Voltage Range (Vdc)	Eff.@480Vac	Lifetime (hours)	Dimensions (L×W×H)(mm)
760	NFM-760Q250Mx	CH1:1040~2500 CH2/3/4:1400~2200	CH1:130~400 CH2/3/4:20~82	96.0%	50,000 Tc=80°C	384(359) × 90 × 48.5

NSM-MG/Mx-1K2Q/1K5Q

Output Power (W)	Product Name	Full-power Current Range(mA)	Output Voltage Range (Vdc)	Eff.@480Vac	Lifetime (hours)	Dimensions (L×W×H)(mm)
660	NSM-1K2Q200MG	1300 ~ 2000	200 ~ 500	95.5%	54,000 Tc=80°C	499(474) × 90 × 48.5
180		1400 ~ 2200	40 ~ 129			
180		1400 ~ 2200	40 ~ 129			
180		1400 ~ 2200	40 ~ 129			
1200	NSM-1K2Q200Mx	CH1:1300~2000 CH2/3/4:1400~2200	CH1:200~500 CH2/3/4:40~129	95.5%	54,000 Tc = 80°C	499(474)x 90 x 48.5
1500	NSM-1K5Q250Mx	CH1:1650~2500 CH2/3/4:1400~2200	CH1:230~500 CH2/3/4:40~161	97.0%	50,000 Tc=80°C	449(424) × 90 × 48.5





Advantages

- No Afterglow
- Hot-plugging Protection
- Parallel LED Protection
- Ultra High Efficiency (Up to 98.0%)
- Full Power at Wide Output Current Range (Constant Power)
- Adjustable Output Current (AOC) with Programmability
- Isolated 0-10V/PWM/Resistor/3-Timer-Modes Dimmable
- INV Digital Dimming, UART Based Communication Protocol
- Adjustable Dimming Curve
- Dim-to-Off with Standby Power $\leq 0.5W$
- Minimum Dimming Level with 5% or 10% Selectable
- Hold Time Adjustable
- Fade Time Adjustable
- Always-on Auxiliary Power: 12Vdc, 250mA
- Low Inrush Current
- Output Lumen Compensation
- End-of-Life Indicator
- Input Surge Protection: DM 6kV, CM 10kV
- All-Around Protection: IOVP, IUVP, OVP, SCP, OTP
- IP66/IP67 and UL Dry/Damp/Wet Location
- TYPE HL, for Use in a Class I, Division 2 Hazardous (Classified) Location
- 5 Years Warranty

Dimming Functions

- Isolated 0-10V/PWM/Resistor/3-Timer-Modes Dimmable
- INV Digital Dimming, UART Based Communication Protocol

About NFL-Mx

The NFL-1K0SxxxMx series is a 1000W, constant-current, programmable and IP66/IP67 rated LED driver that operates from 180-528Vac input with excellent power factor. Created for many lighting applications including high mast, sports, UV-LED, aquaculture and horticulture, etc. It provides an auxiliary voltage and dim-to-off functionality for powering low voltage, wireless controls. The dimming control supports 0-10V dimming as well as two-way communication via Digital Dimming, a UART based communication protocol. The high efficiency of these drivers and compact metal case enables them to run cooler, significantly improving reliability and extending product life. To ensure trouble-free operation, protection is provided against input surge, input under voltage, input over voltage, output over voltage, short circuit, and over temperature.

Safety Certifications



Output Power (W)	Product Name	Adjustable Current Range (mA)	Output Voltage Range (Vdc)	Eff.@ 480Vac	Lifetime (hours)	Dimensions (L×W×H)(mm)
1000	NFL-1K0S400Mx	200 ~ 4000	150 ~ 500	98.0%	120,000 Tc = 70°C	328(309) x 90 x 43.5
100	NFL-100S050Mx	33~500	180~300	94.0%	120,000 Tc = 70°C	MF: 281(257) x43.5x31.5 MG/MT: 291(267) x43.5x31.5



Advantages

- Ultra High Efficiency (Up to 97%)
- Non-Isolated Design with Low Residual Output Voltage
- No Afterglow
- Adjustable Output Current (AOC) with Programmability
- Input Voltage Range: 180 ~ 457 Vac
- Always-on Auxiliary Power: 12Vdc, 250mA
- Dim-to-Off with Standby Power $\leq 0.5W$
- Low Inrush Current
- Fade-Time Adjustable
- End-of-Life Indicator
- 5-Year Warranty

400W / 600W Features

- 43mm Width (Mx Model) / 40.5mm Width (MP Model)
- Maximum Dimming Level with 9V or 10V Selectable
- Isolated 0-10V / 10V PWM/Resistor / 3-Timer-Modes Dimmable
- IP65 and UL Dry/Damp Location (MF Model)
- IP66 / IP67 and UL Dry / Damp / Wet Location (MG/MT Models)
- IP20 (MP Model)
- Suitable for Luminaires with Protection Class I
- Input Surge Protection: DM 4 kV, CM 6 kV

1000W Features

- 90mm Width
- Maximum Dimming Level with 9V or 10V Selectable
- Minimum Dimming Level with 5% or 10% Selectable
- INV Digital Dimming, UART Based Communication Protocol
- Isolated 0-10V / PWM / Resistor / 3-Timer-Modes Dimmable
- IP66 / IP67 and UL Dry/Damp/Wet Location
- All-Around Protection: IOVP, IUVP, OVP, SCP, OTP
- Input Surge Protection: DM 6kV, CM 10kV

About NEL

The NEL family is a non-isolated, slim product designed for the horticulture industry and other applications requiring a linear form factor with a wide input voltage range of 180-457Vac. They provide high efficiency to reduce electricity consumption.

Safety Certifications



Output Power (W)	Product Name	Output Current (mA)	Output Voltage Range (Vdc)	Eff. @ 400Vac	Lifetime (hours)	Dimensions (L×W×H)(mm)
400	NEL-400S140MP	730 ~ 1400	150 ~ 550	97.0%	102,000 Tc= 70°C	452 × 40.5 × 40
	NEL-400S140Mx①	730 ~ 1400	150 ~ 550	97.0%	120,000 Tc=70°C	MF: 452(431) × 43 × 38 MG/MT: 462(441) × 43 × 38
600	NEL-600S220Mx	1100 ~ 2200	150 ~ 550	96.5%	103,000 Tc= 70°C	MF: 452(431) × 43 × 38 MG/MT: 462(441) × 43 × 38
1000	NEL-1K0S400Mx	2000 ~ 4000	150 ~ 500	97.5%	114,000 Tc= 70°C	310(291) × 90 × 43.5

① : P = Push Terminals ; x = F are UL Class P, ENEC, CE, etc. models with flying leads; x = G are UL Recognized, ENEC, CE, etc. models; x = T are UL Class P models



Advantages

- Non-Isolated Design with Low Residual Output Voltage < 2.0kV
- No Afterglow
- Ultra High Efficiency (Up to 97.0%)
- Full Power at Wide Output Current Range (Constant Power)
- Adjustable Output Current (AOC) with T4T
- Isolated 0(1)-10V/PWM/Resistor/AstroDIM(Timer) Dimmable
- Dim-to-Off with Standby Power ≤ 0.5 W
- Adjustable Dimming Curve
- End-of-Life Indicator
- Override Dimming
- Output Lumen Compensation
- Always-on Auxiliary Power: 12Vdc, 200mA
- Input Surge Protection: DM 6kV, CM 10kV
- All-Around Protection: OVP, SCP, OTP
- IP67
- Class P
- Suitable for Luminaires with Protection I

About IT 0-10 N P67

The IT 0-10 N P67 series features a non-isolated design that delivers highly efficient performance. This LED driver operates from 90–305Vac input with excellent power factor. The series provides an auxiliary voltage and dim-to-off functionality for powering low-voltage sensors. The dimming control supports 0(1)-10V, PWM dimming, resistor dimming, and AstroDIM dimming. Offering a stable, efficient, and all-round solution for global sports and area lighting.

Dimming Functions

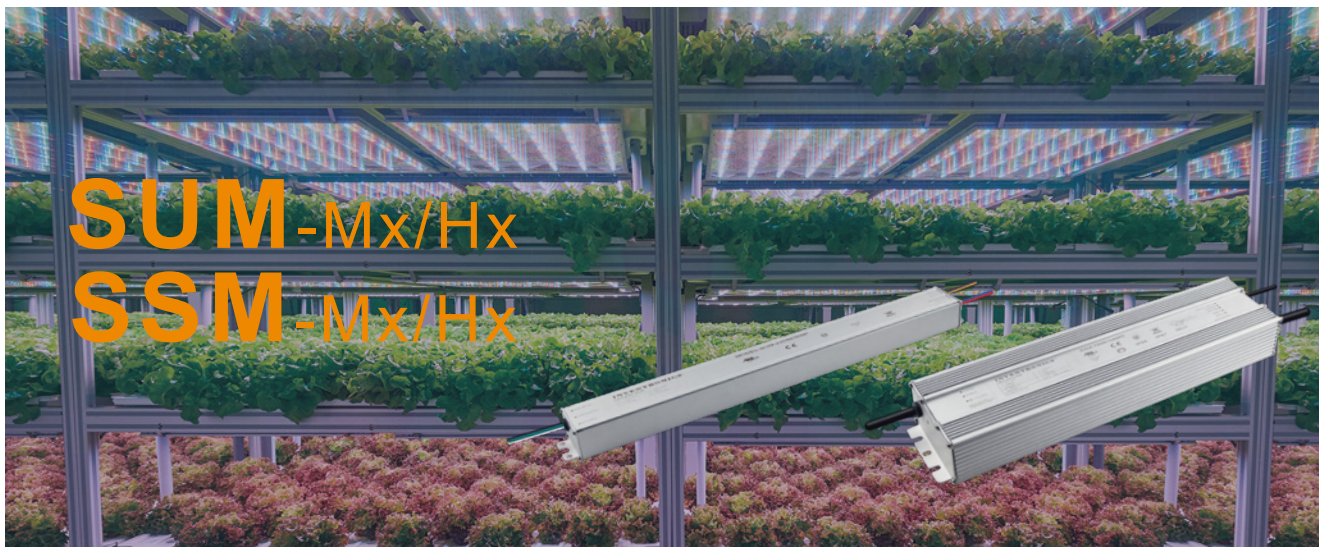
Isolated 0(1)-10V/PWM/Resistor/AstroDIM(Timer) Dimming Function

Safety Certifications



Output Power (W)	Product Name	Adjustable Current Range (mA)	Min Dimming Output Current (mA)	Output Voltage (Vdc)	Eff. @ 480Vac	Dimensions (LxWxH)(mm)
100	IT 0-10 100/100-277/0A5/N P67 G A12	33 ~ 500	33	180 ~ 300	97.0%	130(113) x 64 x 32
150	IT 0-10 150/100-277/0A75/N P67 G A12	50 ~ 750	50	180 ~ 300	97.0%	130(113) x 64 x 32
200	IT 0-10 200/100-277/0A9/N P67 G A12	67 ~ 900	67	180 ~ 300	97.0%	149(132) x 64 x 32
240	IT 0-10 240/100-277/1A1/N P67 G A12	80 ~ 1100	80	180 ~ 300	97.0%	149(132) x 64 x 32
320	IT 0-10 320/100-277/1A6/N P67 G A12	107 ~ 1600	107	180 ~ 300	97.0%	186(169) x 64 x 32





Advantages

- High Efficiency (Up to 96.0%)
- Full Power at Wide Output Current Range (Constant Power)
- Adjustable Output Current (AOC) with Programmability
- Input Voltage Range: 90 ~ 305Vac(SUM-Mx/Hx), 249 ~ 528Vac(SSM-Mx/Hx)
- Fade Time Adjustable
- Output Lumen Compensation
- End-of-Life Indicator
- TYPE HL, for Use in a Class I, Division 2 Hazardous (Classified) Location
- Input Surge Protection Up to: DM 6kV, CM 10kV
- 5-Year Warranty

Safety Certifications



110W, 220W, 330W, 440W Features

- 43.5mm Width
- Maximum Dimming Level with 9V or 10V Selectable
- Dim-to-Off with Standby Power ≤ 0.5 W (MF Models)
- Dim-to-Low-Voltage(DTLV) with Standby Power ≤ 0.5 W (HF Models)
- Isolated 0-10V / 10V PWM / Resistor / 3-Timer-Modes
- Always-on Auxiliary Power: 12Vdc, 250mA (MF Models)
- Low Inrush Current (Above 220W)
- IP65 and UL Dry / Damp Location
- All-Around Protection: OVP, SCP, OTP

760W, 1000W, 1500W Features

- 90mm Width
- Maximum Dimming Level with 9V or 10V Selectable
- Minimum Dimming Level with 5% or 10% Selectable
- INV Digital Dimming, UART Based Communication Protocol
- Isolated 0-10V / PWM / Resistor / 3-Timer-Modes
- Always-on Auxiliary Power: 12Vdc, 250mA
- Dim-to-Off with Standby Power ≤ 0.5 W
- Hot-Plugging Protection
- Parallel LED Protection
- IP66 / IP67 and UL Dry / Damp / Wet Location
- All-Around Protection: IOVP, IUVP, OVP, SCP, OTP

About SUM-Mx/Hx

The SUM family encompasses slim products tailored for the horticulture industry and other applications that require a linear form factor and can operate within an input voltage range of 90-305Vac. They provide high efficiency to reduce electricity consumption.

About SSM-Mx/Hx

The SSM family are slim products for the horticulture industry and other applications requiring a linear form factor with an input voltage range of 249-528Vac. They provide high efficiency to reduce electricity consumption.

SUM-Mx/Hx

Output Power (W)	Product Name	Full-power Current Range(mA)	Output Voltage Range (Vdc)	Eff.@ 220Vac	Lifetime (hours)	Dimensions (L×W×H)(mm)
110	SUM-110S105Mx ^① HF	700 ~ 1050	80 ~ 157	Mx:91.5% HF:91.0%	120,000 Tc=70°C	MF/HF: 210(186) × 43.5 × 31.5 MG/MT: 220(196) × 43.5 × 31.5
	SUM-110S260Mx/HF	1950 ~ 2600	30 ~ 56	Mx:91.0% HF:90.5%	120,000 Tc=70°C	
220	SUM-220S530Mx/HF	4100 ~ 5300	30 ~ 54	94.0%	120,000 TC=70°C	MF/HF: 296(272) × 43.5 × 31.5 MG/MT: 306(282) × 43.5 × 31.5
330	SUM-330S690Mx/HF	6100 ~ 6900	34 ~ 54	Mx:95.5% HF:95.0%	103,000 TC=70°C	MF/HF: 396(372) × 43.5 × 31.5 MG/MT: 406(382) × 43.5 × 31.5
440	SUM-440S920Mx/HF	8200 ~ 9200	34 ~ 54	94.0%	117,000 TC=70°C	MF/HF: 426(402) × 43.5 × 31.5 MG/MT: 436(412) × 43.5 × 31.5
760	SUM-760S15AMx	14000 ~ 15800	34 ~ 54	95.5%	102,000 Tc=70°C	379(354) × 90 × 48.5
1000	SUM-1K0S400Mx	3200 ~ 4000	175 ~ 312	95.0%	110,000 Tc=70°C	414(389) × 90 × 48.5
	SUM-1K0S840Mx	6720 ~ 8400	84 ~ 149	95.0%	110,000 Tc=70°C	414(389) × 90 × 48.5
	SUM-1K0S21AMx	18500 ~ 21000	34 ~ 54	95.5%	110,000 Tc=70°C	414(389) × 90 × 48.5
1500	SUM-1K5S600Mx	4000 ~ 6000	175 ~ 375	96.0%	104,000 Tc=70°C	489(464) × 90 × 48.5
	SUM-1K5S12AMx	10000 ~ 12500	84 ~ 150	96.0%	104,000 Tc=70°C	489(464) × 90 × 48.5
	SUM-1K5S31AMx	28000 ~ 31500	34 ~ 54	96.0%	104,000 Tc=70°C	489(464) × 90 × 48.5

① : x = G are UL Recognized, CE, etc. models; x = T are UL Recognized, CE(built-in-use), etc. models;
x = F are UL Recognized, CE(built-in-use) etc. models with flying leads.

SSM-Mx/Hx

Output Power (W)	Product Name	Full-power Current Range(mA)	Output Voltage Range (Vdc)	Eff.@ 480Vac	Lifetime (hours)	Dimensions (L×W×H)(mm)
220	SSM-220S530Mx ^① /HF	4100 ~ 5300	34 ~ 54	94.5%	116,000 TC=70°C	MF/HF: 336(312) × 43.5 × 31.5 MG/MT: 346(322) × 43.5 × 31.5
330	SSM-330S690Mx/HF	6100 ~ 6900	34 ~ 54	Mx: 95.0% HF: 94.5%	108,000 TC=70°C	MF/HF: 416(392) × 43.5 × 31.5 MG/MT: 426(402) × 43.5 × 31.5
440	SSM-440S920Mx/HF	8200 ~ 9200	34 ~ 54	95.0%	108,000 TC=70°C	MF/HF: 426(402) × 43.5 × 31.5 MG/MT: 436(412) × 43.5 × 31.5
760	SSM-760S15AMx	14000 ~ 15800	34 ~ 54	95.0%	111,000 Tc=70°C	379(354) × 90 × 48.5
1000	SSM-1K0S400Mx	3200 ~ 4000	175 ~ 312	96.0%	100,000 Tc=70°C	414(389) × 90 × 48.5
	SSM-1K0S840Mx	6720 ~ 8400	84 ~ 149	95.5%	100,000 Tc=70°C	414(389) × 90 × 48.5
	SSM-1K0S21AMx	18500 ~ 21000	34 ~ 54	96.0%	100,000 Tc=70°C	414(389) × 90 × 48.5
1500	SSM-1K5S600Mx	4000 ~ 6000	175 ~ 375	96.0%	100,000 Tc=70°C	489(464) × 90 × 48.5
	SSM-1K5S12AMx	10000 ~ 12500	84 ~ 180	95.5%	100,000 Tc=70°C	489(464) × 90 × 48.5
	SSM-1K5S31AMx	28000 ~ 31500	34 ~ 54	96.0%	100,000 Tc=70°C	489(464) × 90 × 48.5

① : x = G are UL Recognized, CE, etc. models; x = T are UL Recognized, CE(built-in-use), etc. models; x = F are UL Recognized, CE(built-in-use) etc. models with flying leads.



Advantages

- Ultra High Efficiency (Up to 96%)
- Full Power at Wide Output Current Range (Constant Power)
- Input Voltage Range: 90 ~ 305Vac(SUM-MGS/MGR), 249 ~ 528Vac(SSM-MGS/MGR)
- Adjustable Output Current (AOC) with Programmability
- INV Digital Dimming, UART Based Communication Protocol
- Minimum Dimming Level with 5% or 10% Selectable
- Maximum Dimming Level with 9V or 10V Selectable
- Fade Time Adjustable
- Always-on Auxiliary Power: 12Vdc, 250mA
- Hot-plugging Protection
- Parallel LED Protection
- Low Inrush Current
- Output Lumen Compensation
- End-of-Life Indicator
- Input Surge Protection: DM 6kV, CM 10kV
- All-Around Protection: IOVP, IUVP, OVP, SCP, OTP
- 5-Year Warranty

SUM-MGS/SSM-MGS Version Features

- Panel Mount Connectors Facilitate Installation
- IP66/IP67 and UL Dry/Damp/Wet Location
- TYPE HL, for Use in a Class I, Division 2 Hazardous (Classified) Location

SUM-MGR/SSM-MGR Version Features

- Mount Connectors Facilitates Installation
- Rotary Switch+RJ12 Connector
- IP66 and UL Dry/Damp/Wet Location

About SUM-MGS/MGR & SSM-MGS/MGR

The SUM-MGS/MGR series is a constant-current, programmable LED driver that operates from 90-305Vac input designed for many lighting applications, including high mast, sports, UV-LED, aquaculture, horticulture, etc. It provides panel mount connectors to facilitate installation. It offers a rotary switch, RJ12 connector, and dim-to-off functionality. The dimming control supports 0-10V dimming and two-way communication via Digital Dimming, a UART-based communication protocol. The high efficiency of these drivers and compact metal case enables them to run cooler, significantly improving reliability and extending product life. To ensure a trouble-free operation, protection is provided against input surge, input under-voltage, input over-voltage, output over-voltage, short circuit, and over-temperature. Available also for Input Voltage 249-528Vac (SSM-MGR/MGS).

Dimming Functions

- Isolated 0-10V/PWM/Resistor/3-Timer-Modes Dimmable
- Dim-to-Off with Standby Power $\leq 0.5W$

Safety Certifications



global-mark

SUM-MGS/MGR

Output Power (W)	Product Name	Full-power Current Range(mA)	Output Voltage Range (Vdc)	Eff.@ 220Vac	Lifetime (hours)	Dimensions (L×W×H)(mm)
760	SUM-760S15AMGS	14000 ~ 15800	34 ~ 54	95.5%	102,000 Tc=70°C	415(390) × 108 × 48.5
	SUM-760S15AMGR	14000 ~ 15800	34 ~ 54	95.5%	102,000 Tc=70°C	415(390) × 108 × 48.5
1000	SUM-1K0S400MGS	3200 ~ 4000	175 ~ 312	95.0%	110,000 Tc=70°C	450(425) × 108 × 48.5
	SUM-1K0S840MGS	6720 ~ 8400	84 ~ 149	95.0%		
	SUM-1K0S20AMGS	18500 ~ 20000	34 ~ 54	95.5%		
	SUM-1K0S400MGR	3200 ~ 4000	175 ~ 312	95.0%	110,000 Tc=70°C	450(425) × 108 × 48.5
	SUM-1K0S840MGR	6720 ~ 8400	84 ~ 149	95.0%		
	SUM-1K0S20AMGR	18500 ~ 20000	34 ~ 54	95.5%		

SSM-MGS/MGR

Output Power (W)	Product Name	Full-power Current Range(mA)	Output Voltage Range (Vdc)	Eff.@ 480Vac	Lifetime (hours)	Dimensions (L×W×H)(mm)
760	SSM-760S15AMGS	14000 ~ 15800	34 ~ 54	95.0%	111,000 Tc=70°C	415(390) × 108 × 48.5
	SSM-760S15AMGR	14000 ~ 15800	34 ~ 54	95.0%	111,000 Tc=70°C	415(390) × 108 × 48.5
1000	SSM-1K0S400MGS	3200 ~ 4000	175 ~ 312	96.0%	100,000 Tc=70°C	450(425) × 108 × 48.5
	SSM-1K0S840MGS	6720 ~ 8400	84 ~ 149	95.5%		
	SSM-1K0S20AMGS	18500 ~ 20000	34 ~ 54	96.0%		
	SSM-1K0S400MGR	3200 ~ 4000	175 ~ 312	96.0%	100,000 Tc=70°C	450(425) × 108 × 48.5
	SSM-1K0S840MGR	6720 ~ 8400	84 ~ 149	95.5%		
	SSM-1K0S20AMGR	18500 ~ 20000	34 ~ 54	96.0%		

PU-10Kx05KBxA



■ Features

- 90-305Vac Working Input Voltage
- Uoc=10kV & In=5kA
- Certified for both EN 61643-11 - T2 & T3
- Protection Mode for TN, TT and IT-Systems
- Available for Series & Parallel Installation
- Available for Class I & Class II luminaires
- Double Thermally Protected
- End-of-life LED Indicator
- High Temperature, 85°C Maximum Surface Temp
- Input Over Voltage Protection at 440Vac with 48 Hours
- IP66 / IP67

PU-20Kx10KTxx



■ Features

- Compatible with Inventronics LED Drivers
- 90-305Vac Working Input Voltage
- 15 kA Maximum, 10 kA Nominal (15 strikes) Surge Current Rating Using Industry Standard 8/20µs Wave
- UL1449 Type 4, EN 61643-11 – Surge Protective Devices T2 & T3
- IEEE C62.41.2 Location Category C High
- High Temperature, 85 C Maximum Ambient
- Flameproof Plastic Enclosure
- IP66

PU-20KS10KHT



■ Features

- Compatible with Inventronics LED Drivers
- 90-305Vac Working Input Voltage
- DM, CM Surge Protection Mode
- Maximum Discharge Current (Imax) 20kA, 8/20µs
- Nominal Discharge Current (In) 10kA, 8/20µs
- UL1449 Type 5 Recognized Component
- IEEE C62.41.2 Location Category C High Exposure
- High Temperature, 85°C Maximum Surface Temp Rating

PS-20KS10KHT



■ Features

- Compatible with Inventronics LED Drivers
- 249-528Vac Working Input Voltage
- DM, CM Surge Protection Mode
- Maximum Discharge Current (Imax) 20kA, 8/20µs
- Nominal Discharge Current (In) 10kA, 8/20µs
- UL1449 Type 5 Recognized Component
- IEEE C62.41.2 Location Category C High Exposure
- High Temperature, 85°C Maximum Surface Temp Rating

SPD G3



■ Features

- Mains Voltage to 320Vac
- Suitable for Luminaries of Protection Class I/II
- Fully LED Driver Protection by Up <2kV
- High Surge Protection of Up to 20 kV / 10 kA (L-N); Comply with IEC 61643-11 - T3
- Maximum Surge Protection of Up to 20 kA; Comply with IEC 61643-11 - T2
- TÜV Approved Acc. to IEC 61643-11 – T2 & T3
- IP20 (SPD G3)
- IP65 (SPD P5 G3)

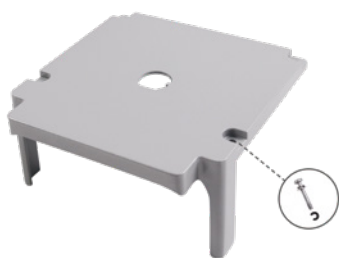
SPD 20/510 PL P5



■ Features

- Maximum Continuous Operating Voltage (L-N/L1-L2): 510Vac
- Maximum Continuous Operating Voltage (L-PE/N-PE): 320Vac
- L-N, L-PE and N-PE Protection Mode
- Suitable for TN Systems
- Maximum Discharge Current (Imax) 20kA, 8/20us
- Nominal Discharge Current (In) 10kA, 8/20us
- Open Circuit Voltage (Uoc) 20kV, 1.2/50μs
- Thermally Protected
- End-of-life LED Indicator
- EN 61643-11 – T2 & T3
- IEC 61643-11 - Test Class II & Class III
- Parallel Installation
- IP65

ACC-LID-NFS



■ Features

- Lid with Standard Mounting Hole for ZHAGA BOOK18 Socket
- Easy assembly And Spare Accessories are Included
- Suitable for Inventronics NFS & NSS Series Drivers

ACC-RVS-NFS-XXX



■ Features

- LED- to PE Protection Mode
- Parallel Installation
- Suitable for Inventronics NFS&NSS&NFM&NSM Series Drivers



Advantages

- 2 standard color mixes recipes for different applications
- Module efficacy: up to 3.6 $\mu\text{mol/J}$ (@rated conditions)
- PF up to 85 $\mu\text{mol/s}$ (@rated conditions)
- Average lifetime (L90B10): up to 70,000 (up to temperature at $T_p = 60^\circ\text{C}$)
- Thermal protection by NTC on the LED Module
- Maximum working voltage 550 V for the system
- Geometry according to Zhaga Book 15
- Customized solutions (color-mix & form factor) possible
- Perfect fit to OPTOTRONIC HC and Industry Drivers
- Compatible to standard outdoor and industry optics, e.g. Lediil Strada series

Safety Certifications



EAN	Product Name
6942736275052	PlantaSeed R90B10
6942736275076	PlantaSeed R30W70

More Technical Data





Advantages

- 5-year system warranty when paired with OPTOTRONIC constant current LED power supplies
- 120° viewing angle per module
- Available module length: 1 ft/280 mm or 2 ft/560mm
- Dimensions: 280 mm or 560 mm x 20 mm x 6 mm
- Dimmable by OPTOTRONIC LED driver
- For operation with suitable OPTOTRONIC control gears
- Geometry according to Zhaga Book 7 L28W2 and L56W2
- Lifetime (L85 B10): up to 60,000 h (temperature at tc = 80 °C)
- Max. working voltage: 250 V
- Max. working voltage: 60 V (to be operated only on SELV LED control gear)
- PF up to 80 μmol/s (@rated conditions)
- Adjustable luminous flux, efficacy and lifetime
- Future-proof thanks to Zhaga conformity
- High homogeneity thanks to small LED pitch
- Optimized LED layout to deliver uniform light output
- Perfect fit to OPTOTRONIC HC and Industry Drivers
- SELV or non-isolated modules for easy luminaire design
- System guarantee in combination with OPTOTRONIC control gear and match with other driver portfolio
- Type of protection: IP00

Safety Certifications



EAN	Product Name
6942736275090	Planta Seed PL-LIN-RW 280x20 LV/HV
6942736275113	Planta Seed PL-LIN-RWFR 280x20 LV/HV
6942736275137	Planta Seed PL-LIN-RW 560x20 LV
6942736275151	Planta Seed PL-LIN-RW 560x20 HV
6942736275199	Planta Seed PL-LIN-RWFR 560x20 LV

More Technical Data





Lighting Systems

–Industrial Lighting



01 Controls, Sensors, Programming Tools & Accessories

1.1 DALI	DALI PRO 2 IoT	105
	DALI ECO BT RTC	106
	DALI-2 SENSOR LS/PD HB LI	107
	DALI-2 REP LI	108
1.2 Bluetooth NLC	Bluetooth NLC D4i Module Indoor	109
	Bluetooth NLC 0-10 Module Indoor	110
	Bluetooth NLC 220-240 LS/PD CI	111
1.3 Software	Tuner4TRONIC	112
	DALI PRO PC TOOL	112
	DALI PRO CONTROL	112
	DALI Wizard	112
	BT Config	112
	BT CONTROL	112
	HubSense Commissioning	112
1.4 Programming Tools	PRG-MUL2	113
	PRG-NFC-H	113
	PRG-NFC-D2	113
	DALI magic	113
1.5 Converters	CNV-DALI2	113
	Cat.1 Outdoor	114

02 LED Driver & Accessories

2.1 Connected - Constant Current	OT WI D NFC BL L	115
	OT Wi NFC BL L	116
	OTI DX D NFC IND L	117
	OTI DX D NFC L	118
	OTI DX NFC L	119
	OTI DALI N NFC L HE	120
	OTI DALI D NFC IND L	121
	OTI DALI D NFC F L	123
	OTI DALI D LT2 L	124
	IT DALI N DS L	125
	IT DALI LT2 L	126

2.2 Simple DIM - Constant Current	IT DIM HF LS/PD KIT	127
	IT DIM CS L	128
	LUM-MTx	129
	IT 0-10 N R P65 (Highbay)	130
	IT 0-10 DIG	132
	IT 0-10 Non-isolated BRICK	133
2.3 Non Dimmable - Constant Current	EM P7 G2	135
	OT FIT D NFC IND L	136
	OT FIT N NFC L HE	137
	EM FIT D CS L CCT	138
	EM FIT (D) CS L G3	139
2.4 Accessories	PU-10Kx05KBxA	140
	PU-20Kx10KTxx	140
	PU- 20KS10KHT	140
	PS-20KS10KHT	140
	SPD G3	141

03 Light Modules & Accessories

3.1 Rigid	PrevaLED Linear IND G1	142
	PrevaLED Linear G6	143
	PL Brick	144

Lighting System Solutions **Industrial**

— Light is robust!





Ensure your warehouses, manufacturing plants, and logistics hubs can operate with adaptable illumination for precision and safety working conditions while minimizing maintenance and energy costs. Benefit from robust, efficient and lasting lighting solutions from Inventronics for your industrial application!

Expertise

Select our globally available and complete set of rugged LED modules, smart drivers, controls and sensors for your lighting solutions, designed for:



Visual comfort, energy efficiency & control



Harsh conditions & durability



Easy / reduction of maintenance

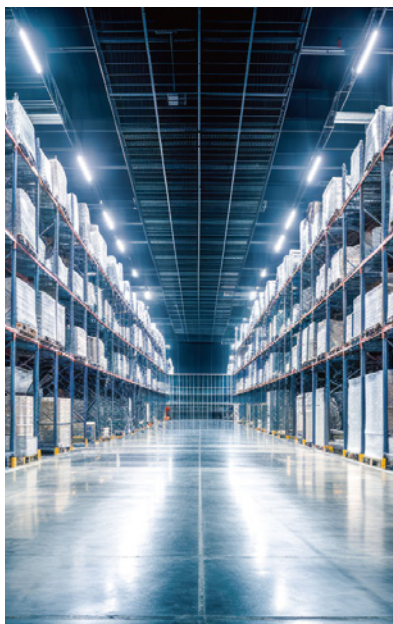
System Value

- Extended reliability with system approach, built on fully tested, highly reliable components.
- System designed for higher efficiency & durability.
- Tested component interoperability, including LED modules, smart drivers, sensors, and controls.
- Outstanding lighting control, from comfortable switching and dimming, group and scenes control, until daylight harvesting.
- Enhanced monitoring options for energy consumption, voltage peaks or residual lifetime, remotely accessible via cloud.
- Fastest pre-installation programming & user-friendly on-site commissioning.

Sub-applications



Production Factories



Logistics and Warehouses

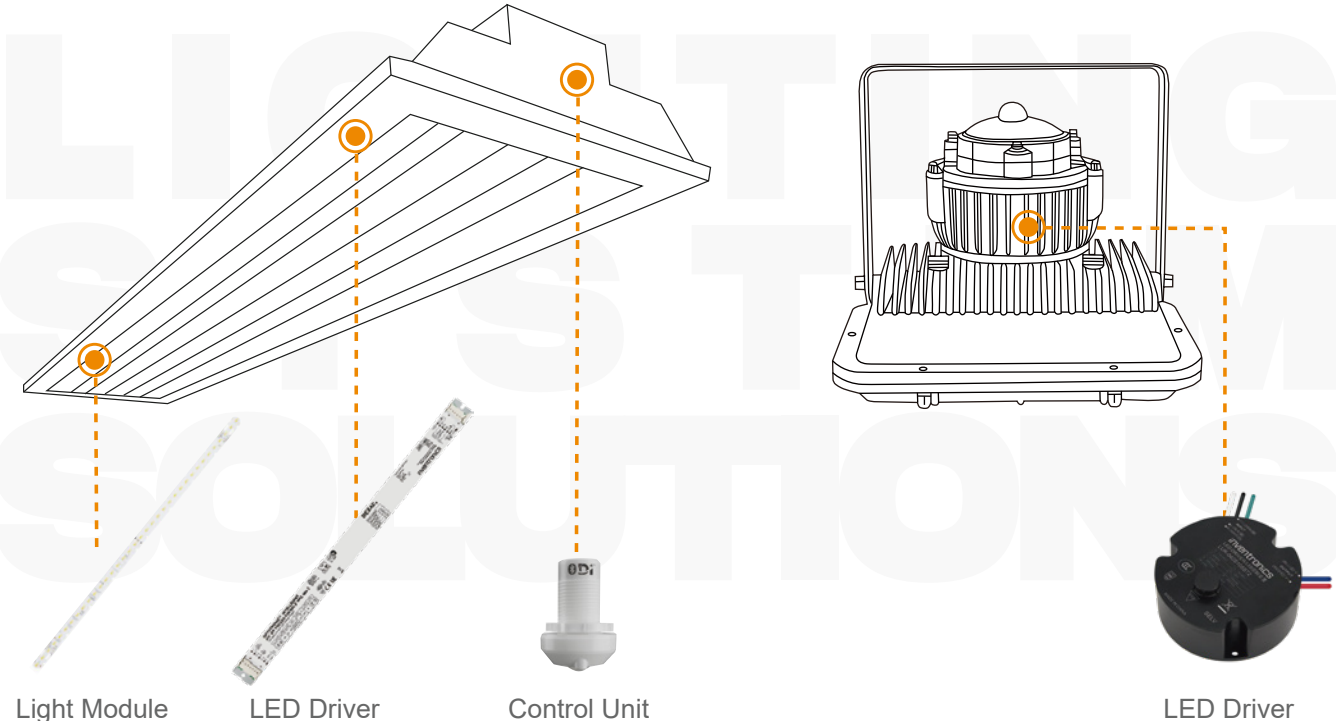


Indoor Transportation
/ Aviation



Parking Garages

Lighting System Solutions



Oil Rigs



Steel Production & Refineries



Mining



Heavy Industries

Inventronics Cases





The longest metro loop
in South China.
Guangzhou Metro
Line 11, China



DALI PRO 2 IoT

Advantages

- IoT ready with built-in gateway for remote data access
- Easy browser-based commissioning UI and Professional Software available
- Small form factor: only 6 TE (DIN rail)
- Commissioning via Ethernet/WLAN
- DALI-2 certified for improved multi-vendor interoperability
- Template based onsite commissioning via
- Building Management System integration via API or optional KNX interface
- Remote access for changes in the configuration from every location
- LAN Interconnect to connect up-to 8 Controllers into one network
- API for connection of a 3rd party SW or Cloud
- Automated testing and reporting of emergency lighting installations
- Daylight Simulation via scene recall and/or light sensor regulation
- Supports HCL, RGBW+TW applications
- Suitable for Human Centric Lighting Applications (HCL)
- Supports DALI-2 Sensors and Couplers

Safety Certifications



EAN	Product Name
6977078993692	DALI PRO 2 IOT

More Technical Data





Advantages

- Compact light control with DALI interface
- Smart phone connection via Bluetooth® to control and configure
- Integrated clock for time based control of brightness and color temperature (HCL)
- Adaptable HCL curve with up to 24 points
- One DALI output channel (Broadcast or Groupcast)
- Up to 32 DALI luminaires connectable
- Supports up to 4 Inventronics DALI sensors and pushbutton couplers
- Daylight-dependent regulation and presence-dependent control of light
- Pushbutton interface to separately control brightness and color temperature
- Daytime depending change of brightness and color temperature (HCL)
- Suitable for Human Centric Lighting Applications (HCL)
Control the light via Smartphone
- Adjustment of all settings via smartphone
- Up to 4 timers with ON-/OFF-Time and weekday configurable
- Simplified startup thanks to predefined operation modes
- Intuitive manual dimming, switching and changing of colour temperature
- Up to 4 groups separately controllable
- Adjustable Offset for different groups
- Easy Scene creation via App
- Firmware update over-the-air via Bluetooth possible
- Integrated DALI supply
- Control of standard white or Tunable White light acc.
- DALI device type 8 (DT8)
- Selected DALI parameters changeable via APP

Safety Certifications



EAN	Product Name
6977078993753	DALIECO BT RTC CONTROL

More Technical Data





DALI-2 Sensor LS/PD HB LI

Advantages

- Light and motion sensor for luminaire installation
- Motion detection via passive IR element
- Light sensor operating range: 5 ~ 2000 lx (measured at sensor)
- Detection height up to 17 m
- Function indicator LED
- Intended for installation into a standard ½" knockout
- Design freedom due to compact size
- Protection Class IP65 (In installed condition)
- Easy to integrate in luminaire
- DALI-2 certified input device
- DALI Bus powered (No mains connection necessary)
- Multiple sensors connectable to the same DALI line
- Shutter included to optimize sensor detection
- Integreatable in light- and building management systems supporting DALI-2 sensors

Safety Certifications



EAN	Product Name
6977078993791	DALI-2 SENSOR LS/PD HB LI

More Technical Data





Advantages

- Expansion of DALI systems by 64 DALI control gears each time
- Extends the DALI line by 300 m
- Maximum power consumption in stand-by mode: 1 W
- Four versatile operating modes: Basic, Group, Extend, Touch DIM
- Basic mode: DALI-2 certified DALI converter for grouping up to 64 standard DALI driver
- Group mode: Groups up to 64 DALI drivers and up to 5 Inventronics DALI-2 sensors
- Group mode: Supports standard DALI drivers and DALI-DT8 drivers (TW / RGB (W))
- Touch DIM mode: Simple switching and dimming of up to 64 drivers.
- Powerful power supply: 130 mA DALI bus power supply
- Can be addressed via DALI

Safety Certifications



EAN	Product Name
6937186116437	DALI-2 REP LI

More Technical Data





Bluetooth NLC D4i Module Indoor

Advantages

- With/without Daylight and Occupancy Sensor D4i Module
- Bluetooth NLC enabled by Silvair
- Control of D4i drivers or DALI drivers with additional DALI bus power supply
- Intended for installation into a standard ½" knockout
- Works with Hubsense®
- Standard communication protocol released by Bluetooth SIG
- Design freedom due to compact size
- Easy to integrate in luminaire
- Minimize internal wiring in combination with D4i drivers
- Secured product communication granted by ioXT and PSA Certificates

Safety Certifications



EAN	Product Name
6977078990363	B NLC D HB LI
6977078990387	B NLC D LI R
6977078990448	B NLC D MB LI
6977078990462	B NLC D LB LI
6977078993425	B NLC D OF LI BK
6977078997041	B NLC D OF LI S
6977078997553	B NLC D OF LI

More Technical Data





Bluetooth NLC 0-10 Module Indoor

Advantages

- Design freedom due to compact size
- Easy to integrate in luminaire
- Minimize internal wiring in combination with 0-10V LED drivers
- With/without Daylight and Occupancy Sensor
- Bluetooth NLC
- Control of 0-10V LED drivers
- Works with Inventronics Hubsense

Safety Certifications



EAN	Product Name
6937186115959	B NLC A OF LI
6937186115973	B NLC A HB LI
6937186115997	B NLC A LI R

More Technical Data





Advantages

- Presence detection via passive IR element
- Detection height up to 4 meter
- Bluetooth NLC enabled by Silvair
- Suitable for up to 16 DALI-2 LED drivers (Part - 207) in broadcast mode
- Ambient light dependent control and presence detection
- Shutter included to optimize sensor detection
- Simplified mounting for flush device boxes
- Large motion detection range

Safety Certifications



EAN	Product Name
6977078990400	B NLC 220-240 LS/PD CI

More Technical Data



SOFTWARE

Software

Overview

Inventronics offers a comprehensive range of professional software solutions to support and configure its components.



T4T



Apps



Tuner4TRONIC

A software suite for OEMs that enables the configuration of all programmable OPTOTRONIC, ICUTRONIC, QUICKTRONIC, and POWERTRONIC LED drivers during the luminaire manufacturing process.



DALI PRO PC TOOL

Software for configuring DALI installations in combination with the DALI PROFESSIONAL control unit DALI PRO C-4 RTC or DALI PRO 2 IoT. DALI PRO 2 IoT is an innovative lighting management control technology for the IoT era.



DALI PRO CONTROL

With just a simple tap, you can easily control complex lighting scenarios: turn lights on or off, adjust brightness, change colors, or modify color temperature.



DALI Wizard

A GUI tool for setting up, analyzing, and diagnosing DALI ECG installations, used in combination with the DALI Wizard control device.



BT Config

An app that offers standalone component detection and automatic light calibration, eliminating the need for manual commissioning and adjustments of daylight-dependent controls.



BT CONTROL

Allows the control of DALI-enabled luminaires via a smartphone, including light level and color temperature adjustments, as well as the storage of individual lighting scenes.



HubSense Commissioning

The “HubSense Com” app is a tool to carry out configurations and to test light settings for the installer and the system integrator in order to intuitively commission on site Bluetooth Mesh components (QBM), which are qualified according to the standard.



PROGRAMMING TOOLS

Programming Tools



PRG-MUL2 Features

- Programmer for All Inventronics DALI and 0-10V Programmable Drivers
- Offline Programming Capability
- Automatic Programming Mode

FC CE



PRG-NFC-H Features

- For Use with Inventronics NFC Enabled Drivers
- Zhaga Book 24 Compliant
- USB Powered
- IP30
- Connects to Inventronics Multi-Programmer Software



PRG-NFC-D2 Features

- For Use with Inventronics NFC Enabled Drivers
- Zhaga Book 24 Compliant
- USB Powered
- IP42
- Connects to Inventronics Multi-Programmer Software



DALI magic Features

- USB DALI converter for Tuner4TRONIC and DALI wizard software for Windows PC
- Pushbutton to test DALI dimming without need of connection to computer
- Powered by USB or by included universal power supply
- Integrated automatic DALI supply of up to 64 devices (up to 4 if powered by USB)



CONVERTERS

Converters

DALI-2

CNV-DALI2

DALI-2 Stadium/Stage Lighting Management Solutions



UL US FC CB CE

Features

- Convert DALI-2 Signal to 0/1-10V Dimming Signal
- Comply with DALI-2 Protocol
- Powered By Auxiliary Power with 3-Wire Connection to Driver

Cat.1 Outdoor



Features

- Complies with the 4G Cat.1 wireless protocol with multiple wireless frequency bands supporting
- Supports remote configuration and OTA upgrade
- Adopts northbound/southbound communication with the platform to realize real-time data interaction
- Enables reading of power energy consumption data, including voltage, current, power and other parameters at the input and output terminals
- Supports acquisition of power maintenance and diagnostic data, such as fault modes, operating temperature, lighting duration, power model and other information
- Supports regular network-based patrol inspection to obtain the latest status of the project lighting system
- Allows scheduled execution of control strategies; strategies can be implemented locally by the Cat.1 single-lamp controller even when the network is disconnected
- Designed for use with EUM-LV driver with digital dimming function built in



Advantages

- Qualified Bluetooth mesh enabled by Silvair
- Supply voltage: 220 ~ 240 V
- Line frequency: 0 Hz | 50 Hz | 60 Hz
- Line voltage: 198 ~ 264 V
- Lifetime: up to 100,000 h
- Type of protection: IP20
- Non-isolated drivers
- Versatile QBM window driver up to 100 W and 750 mA
- Fully programmable via software (NFC)
- Very high efficiency
- High-quality dimming of 1 ~ 100 % (amplitude and/or PWM selectable by software)
- Higher quality of light thanks to < 1% output ripple current
- Fulfils safety requirement due to overload, overtemperature
- Hot Plug protection

Safety Certifications



EAN	Product Name	Nominal output power (W)	Nominal output current (mA)	Nominal output voltage (Vdc)	Efficiency (max.)	Dimensions (L×W×H)(mm)
6937186112057	OT Wi 35/220-240/400 D NFC BL L	4 ~ 38	75 ~ 400	54 ~ 240	92%	280 x 30 x 21
6937186112071	OT Wi 75/220-240/550 D NFC BL L	6.5 ~ 75	125 ~ 550	54 ~ 240	93%	280 x 30 x 21
6937186112095	OT Wi 100/220-240/750 D NFC BL L	5.4 ~ 100	100 ~ 750	54 ~ 260	94%	280 x 30 x 21

More Technical Data





Advantages

- Qualified Bluetooth mesh enabled by Silvar
- Compatible with the NLC wireless standard
- Fully programmable via software (NFC)
- High quality of light thanks to <1% output ripple current
- Suitable for installation in emergency lighting systems
- Very high efficiency
- SELV safety design

Dimming Functions

Hubsense

About OT Wi NFC BL L

This is the SELV linear LED driver, with wireless bluetooth control, NFC programmable function, current setting, and suitable for emergency lighting, It can work in Hubsense system.

Safety Certifications



EAN	Product Name	Output Power (W)	Adjustable Current Range(mA)	Min Dimming Output Current(mA)	Output Voltage (Vdc)	Efficiency (max.)	Dimensions (L×W×H)(mm)
6937186112170	OT Wi 35/220-240/1A0 NFC BL L	35	200...1050 mA	10.5	15...54 V	89.0%	280 x 30 x 21
6937186112194	OT Wi 50/220-240/1A4 NFC BL L	50	400...1400 mA	14	15...54 V	90.0%	280 x 30 x 21
6937186112217	OT Wi 80/220-240/2A1 NFC BL L	80	600...2100 mA	21	20...54 V	90.0%	280 x 30 x 21

More Technical Data





Advantages

- Line frequency: 0 Hz | 50 Hz | 60 Hz
- Versatile scope of application due to output power range of up to 150 W
- Monitoring of luminaire operating parameters
- Supply voltage: 220 ~ 240 V
- Available with output current range: up to 850 mA
- Constant Lumen Output (CLO)
- Integrated customizable thermal management (Driver Guard)
- Non-isolated drivers
- Versatile non-isolated DEXAL LED driver up to 150 W due to flexible output characteristic
- Integrated DEXAL Bus power supply for sensors and wireless radios
- Simplified luminaire design for wireless lighting control system and sensors
- Locking and unlocking of luminaire/driver data
- Advanced luminaire/driver data (power, energy, operating hours...) for analytics
- D4i, DALI parts -250, -251, -252 and -253
- Fully programmable via T4T software (NFC, DALI Interface)
- Lifetime: up to 100,000 h (temperature at Tc = 75 °C)
- High light quality: 1 ~ 100% amplitude dimming
- Wide operating temperature range: -40 ~ +65 °C
- High surge protection: up to 4 kV (L-N) / 4 kV (L/N-PE)
- Integrated inrush current limiter
- Very high efficiency (up to 96%)

Safety Certifications



EAN	Product Name	Nominal output power (W)	Nominal output current (mA)	Nominal output voltage (Vdc)	Efficiency (max.)	Dimensions (L×W×H)(mm)
6937186111890	OTI DX 100/220-240/700 D NFC IND L	23 ~ 100	200 ~ 700	64 ~ 300	93%	425 x 30 x 21
6937186111913	OTI DX 150/220-240/850 D NFC IND L	43 ~ 150	250 ~ 850	64 ~ 300	95%	425 x 30 x 21

More Technical Data





Advantages

- Integrated DEXAL Bus power supply for sensors and wireless radios
- Advanced luminaire/driver data (power, energy, operating hours...) for analytics
- Following D4i, DALI parts -250, -251, -252 and -253
- Fully programmable via T4T software (NFC, DALI Interface)
- Easy connection to different partner BMS systems
- Suitable for installation in emergency lighting systems
- Very high efficiency
- Non-isolated design

Dimming Functions

D4i, DALI, Touch DIM, Corridor

About OTI DX D NFC L

Innovative non-isolated linear driver with DEXAL technology.

Ready for luminaire design with wireless lighting controls / sensors

Including additional features such as Driver Guard, Soft Switch Off...

Safety Certifications



EAN	Product Name	Output Power (W)	Adjustable Current Range(mA)	Min Dimming Output Current(mA)	Output Voltage (Vdc)	Efficiency (max.)	Dimensions (L×W×H)(mm)
6937186111852	OTI DX 35/220-240/400 D NFC L	35	75...400 mA	4	54...240 V	90.0%	360x30x21
6937186111876	OTI DX 75/220-240/600 D NFC L	75	120...600 mA	6	54...240 V	93.0%	360x30x21

More Technical Data





Advantages

- Integrated DEXAL Bus power supply for sensors and wireless radios
- Advanced luminaire/driver data (power, energy, operating hours...) for analytics
- Following D4i, DALI parts -250, -251, -252 and -253
- Fully programmable via T4T software (NFC, DALI Interface)
- Easy connection to different partner BMS systems
- Suitable for installation in emergency lighting systems
- Very high efficiency
- SELV safety design

Dimming Functions

D4i, DALI, Touch DIM, Corridor

About OTI DX NFC L

Innovative SELV linear driver with DEXAL technology.

Ready for luminaire design with wireless lighting controls / sensors

Including additional features such as Driver Guard, Soft Switch Off...

Safety Certifications



EAN	Product Name	Output Power (W)	Adjustable Current Range(mA)	Min Dimming Output Current(mA)	Output Voltage (Vdc)	Efficiency (max.)	Dimensions (L×W×H)(mm)
6937186111937	OTI DX 35/220-240/700 NFC L	35	200...1050 mA	10.5	15...54 V	89.0%	360x30x21
6937186111951	OTI DX 50/220-240/1A4 NFC L	50	400...1400 mA	14	15...54 V	90.0%	360x30x21
6937186111975	OTI DX 80/220-240/2A1 NFC L	80	600...2100 mA	21	15...54 V	91.0%	360x30x21

More Technical Data





Advantages

- Input voltage: 220 ~ 240Vac
- Wide Output current range
- Fully programmable DALI/NFC
- Low THD <5%@ full load
- Wide ambient temp range
- DALI2 certified incl parts -251, -252 and -253
- Wide output voltage range
- CLO – Constant Lumen Output
- Very high efficiency up to 96%
- 100'000 h lifetime at max tc
- 5 years guarantee
- Suitable for Emergency Lighting
- Improved Efficiency and Power factor at partial loads
- One version to match multiple power applications with improved product performance and drivers per Circuit Braker, reducing the need of various SKUs. The 75W version can be used to replace 75/60/35/25W applications with equivalent or better performance. Same for 150W version to match 150/100/90W ones.
- Wide operating range adjustable via DALI or NFC
- CLO integrated for maximizing energy savings
- Small, slim white metal housing
- Programmable Hybrid dimming 1 ~ 100%

About OTi DALI N NFC L HE

OPTOTRONIC Linear DALI, Non-isolated, High Efficiency Power Supply is the ideal choice for linear and area fixtures for office - industrial - shop lighting requiring very high conversion efficiency, extended operative window with excellent Harmonic Distortion and Power Factor in all working conditions, dimmable via DALI interface including parts 251,252,253 for monitoring Luminaire, Energy and Diagnostic data.

Dimming Functions

DALI, TouchDIM, Corridor

Safety Certifications



EAN	Product Name	Output Power (W)	Adjustable Current Range (mA)	Output Voltage (Vdc)	Eff. @220Vac	Dimensions (L×W×H)(mm)
6937186150226	OTi DALI 75/220-240/550 N NFC L HE	3 ~ 75	35 ~ 550	54 ~ 240	96%	280 x 30 x 16
6937186150240	OTi DALI 150/220-240/1A0 N NFC L HE	6 ~ 150	100 ~ 1000	54 ~ 300	96%	360 x 30 x 21



Advantages

- Line frequency: 0 Hz | 50 Hz | 60 Hz
- Versatile scope of application thanks to an output power range of up to 300 W
- Supply voltage: 220 ~ 240 V
- Available with output current range: up to 1,000 mA
- Constant Lumen Output (CLO)
- Integrated customizable thermal management (Driver Guard)
- Non-isolated drivers
- DALI-2 certified (Part -251, -252, -253)
- Fully programmable via T4T software (NFC, DALI Interface)
- Lifetime: up to 100,000 h (temperature at Tc = 75 °C, max. 10 % failure rate)
- High light quality: 1 ~ 100% amplitude dimming and 1% output ripple current
- Wide operating temperature range: -40 ~ +55 °C
- High surge protection: up to 4 kV (L-N) / 4 kV (L/N-PE)
- Very high efficiency (up to 96%)
- Fulfill safety requirement due to overload, overtemperature
- Hot Plug protection
- Touch DIM® application: easy to control via pushbutton
- Suitable for emergency Installations (acc. to EN 60598-2-22 and IEC 61347-2-13, appendix J) thanks to DC detection (0 Hz, pulsating DC), on/off switchable

Safety Certifications



More Technical Data



EAN	Product Name	Nominal output power (W)	Nominal output current (mA)	Nominal output voltage (Vdc)	Efficiency (max.)	Dimensions (L×W×H)(mm)
6977770436589	OTi DALI 75/220-240/550 D NFC IND L	8.0 ~ 75	125 ~ 550	64 ~ 300	94%	360 x 30 x 21
6977770436503	OTi DALI 100/220-240/700 D NFC IND L	28 ~ 100	200 ~ 700	64 ~ 300	94%	360 x 30 x 21
6977770436527	OTi DALI 150/220-240/1A0 D NFC IND L	43 ~ 150	250 ~ 1000	64 ~ 300	95%	425 x 30 x 21
6977770436626	OTi DALI 150/220-240/700 D NFC IND L	43 ~ 150	200 ~ 700	64 ~ 260	94%	360 x 30 x 21
6977770436602	OTi DALI 300/220-240/1A6 D NFC IND L	80 ~ 300	250 ~ 1550	60 ~ 300	96%	360 x 45 x 28





Advantages

- Control of standard white or Tunable White light acc. DALI device type 8 (DT8)
- Fully programmable via T4T software (NFC, DALI Interface)
- High quality of light thanks to <1% output ripple current
- Very high efficiency
- Non-isolated design

About OTI DALI D NFC F L

This is the 16mm flat non-isolated linear LED driver, with DALI dimming function, current setting by NFC programming

Safety Certifications



Dimming Functions

DALI, Touch DIM, Corridor

EAN	Product Name	Output Power (W)	Adjustable Current Range(mA)	Min Dimming Output Current(mA)	Output Voltage (Vdc)	Efficiency (max.)	Dimensions (L×W×H)(mm)
6977770436787	OTI DALI 25/220-240/300 D NFC F L	25	35...300 mA	3	54...240 V	90.5%	280x30x16
6977770436749	OTI DALI 35/220-240/400 D NFC F L	35	75...400 mA	4	54...240 V	92.0%	280x30x16
6977770436763	OTI DALI 75/220-240/500 D NFC F L	75	120...500 mA	5	54...240 V	94.0%	280x30x16

More Technical Data





Advantages

- Advanced luminaire/driver data (energy, operating hours...) for analytics
- Prepared for DALI2 certified incl parts -251, -252 and -253
- Constant Lumen Output (CLO)
- Flexible current setting (LEDset)
- Fully programmable via software (DALI Interface)
- Higher quality of light thanks to <1% output ripple current
- Suitable for installation in emergency lighting systems
- Very high efficiency
- Non-isolated design

About OTI DALI D LT2 L

DALI DT8 for optimal Tuneable White/Human Centric Lighting
 Perfect lighting quality thanks to low output ripple & DALI-2 dimming
 High precision of white colour temperatures, fine tuneable via software/Tuner4TRONIC®

Dimming Functions

DALI, Touch DIM, Corridor

Safety Certifications





IT DALI N DS L

Advantages

- Power Range of 40W, 80W, 100W
- Input Voltage: 220 – 240V
- Suitable for luminaires of protection class I
- Fully programmable via software (DALI)
- DALI-2 Luminaire Data (251) & Energy Diagnostic (252-253)
- Dip switch for 8 output currents per model
- Very high efficiency of up to 95%
- High-quality dimming of 1-100 %
- Higher quality of light thanks to < 3% output ripple current
- Installation in emergency lighting systems according to IEC 61347-2-13, appendix J

Dimming Functions

DALI, TouchDIM, Corridor

About IT DALI N DS L

One version to match multiple power applications with improved product performance and drivers per Circuit Breaker, reducing the need of various SKUs. The 75W version can be used to replace 75/35/25W applications with equivalent or better performance. Same for 150W version to match 150/100 ones.

Safety Certifications



EAN	Product Name	Output Power (W)	Adjustable Current Range(mA)	Min Dimming Output Current(mA)	Output Voltage (Vdc)	Efficiency (max.)	Dimensions (L×W×H)(mm)
6937186168405	IT DALI 40/220-240/0A45/N DS L	40	100...450 mA	4.5	54 - 240 V	92.50%	280x30x21
6937186168429	IT DALI 80/220-240/0A55/N DS L	80	150...550 mA	5.5	90 - 240 V	94.50%	280x30x21
6937186168443	IT DALI 100/220-240/0A8/N DS L	100	300...800 mA	8	90 - 240 V	94.50%	280x30x21



Advantages

- With Touch DIM and Corridor Function
- Constant Lumen Output (CLO)
- Fully programmable via software (DALI Interface)
- Flexible current setting (LEDset)
- Lifetime: up to 100,000h (@ $t_c=65\text{ }^\circ\text{C}$)
- High efficiency
- Wide operating range
- SELV design

Dimming Functions

DALI, Touch DIM, Corridor

About IT DALI LT2 L

This is the SELV linear LED driver, with DALI dimming function, current setting by LEDset.

Safety Certifications



EAN	Product Name	Output Power (W)	Adjustable Current Range(mA)	Min Dimming Output Current(mA)	Output Voltage (Vdc)	Efficiency (max.)	Dimensions (L×W×H)(mm)
6977770430471	IT DALI 25/220-240/500 LT2 L	25	200...500 mA	5	20...54 V	92.0%	280x30x21
6977770430495	IT DALI 40/220-240/750 LT2 L	40	300...750 mA	7.5	20...54 V	92.0%	280x30x21
6977770430457	IT DALI 75/220-240/1A4 LT2 L	75	600...1400 mA	14	20...54 V	92.0%	280x30x21
6977770430518	IT DALI 100/220-240/2A1 LT2 L	100	1000...2100 mA	21	20...54 V	92.0%	360x30x21

More Technical Data





Advantages

- High quality light with very low ripple
- Flexible with 1 driver offers 4 output currents
- Low THD 10% @ full load
- Input voltage: 220 ~ 240 VAC
- Ambient temp range ta: -25 to +50 °C
- Low LF-ripple 5%
- 5 years guarantee
- Non-isolated drivers
- HF LI Sensor (Light- and motion detection via radar)
- StepDIM function for different light levels
- Different operating modes for daylight- or motion-dependent switching selectable
- Motion detection range adjustable
- Detection height up to 6 meter
- KIT including driver, HF Sensor and cabling
- Non isolated system for energy saving applications
- Very high efficiency
- Enable slim fixture design with flat 21 mm height metal housing
- Long lasting and high reliability

Safety Certifications



EAN	Product Name	Nominal output power (W)	Nominal output current (mA)	Nominal output voltage (Vdc)	Efficiency (max.)	Dimensions (L×W×H)(mm)
6937186111777	IT DIM 40/HF LS/PD KIT	8 ~ 42	200 ~ 350	40 ~ 120	86.5%	210 x 30 x 21
6937186111791	IT DIM 60/HF LS/PD KIT	18 ~ 61.3	201 ~ 350	90 ~ 175	92%	280 x 30 x 21
6937186111814	IT DIM 75/HF LS/PD KIT	31.5 ~ 75.6	202 ~ 350	90 ~ 216	93%	280 x 30 x 21

More Technical Data





Advantages

- Class P / 2 family in 40 / 60 and 75W
- 5-100% dimming incl. dim to off
- Dipswitches for current setting (4)
- low flicker index below 5%
- wide ta range -25 ~ +50°C
- 100'000 hours lifetime @ Tc65
- UL and CB approved
- 5 years guarantee

Dimming Functions

0-10V / PWM dimming

Safety Certifications



EAN	Product Name	Nominal output power (W)	Nominal output current (mA)	Nominal output voltage (Vdc)	Efficiency (max.)	Dimensions (L×W×H)(mm)
6977078994958	IT DIM 40/120-277/800 CS L	40	500 ~ 800	27 ~ 54	85%	210 x 30.21
6977078994972	IT DIM 60/120-277/1A2 CS L	60	900 ~ 1200	27 ~ 54	86%	280 x 30.21
6977078994996	IT DIM 75/120-277/1A6 CS L	75	1300 ~ 1600	27 ~ 54	87%	280 x 30.21



Advantages

- Power Level: 25W, 40W (Compact)
20W, 30W, 50W, 85W (Linear)
- Input voltage 120 ~ 277V
- Surge: 2 / 4 kV
- IP Rating: IP20
- Dimming: 1% dimming capability with Dim to Off | 0-10V /
- PWM dimming
- 1% dimming capability with Dim to Off
- Programming via Inventronics PC programmer / Tuner4TRONIC
- Very low ripple for high lighting quality
- 12V Aux included
- Long lasting and high reliability
- UL Class 2

Safety Certifications



EAN	Product Name	Nominal output power (W)	Nominal output current (mA)	Nominal output voltage (Vdc)	Efficiency (max.)	Dimensions (L×W×H)(mm)
6937186100146	LUM-020S100MTF	20	100 ~ 1050	10 ~ 55	85%	280 x 29 x 26
6937186100184	LUM-025S130MT	25	100 ~ 1300	10 ~ 56	82%	126 x 60.1 x 24
6937186100160	LUM-025S130MTG	25	100 ~ 1300	10 ~ 56	82%	126 x 60.1 x 24
6937186100085	LUM-030S100MTF	30	100 ~ 1050	10 ~ 55	85%	280 x 29 x 26
6937186100207	LUM-040S150MT	40	300 ~ 1500	10 ~ 56	84%	126 x 60.1 x 24
6937186100221	LUM-040S150MTG	40	300 ~ 1500	10 ~ 56	84%	126 x 60.1 x 24
6937186100108	LUM-050S140MTF	50	400 ~ 1400	10 ~ 55	86%	280 x 29 x 26
6937186100122	LUM-085S240MTF	85	700 ~ 2400	10 ~ 55	91%	424 x 30 x 26

More Technical Data





IT 0-10 N R P65 (Highbay)

Advantages

- Non-Isolated Design with Low Residual Output Voltage < 2 kV
- No Afterglow (Anti glow) on Specific Models
- Ultra-High Efficiency (Up to 96%)
- Full Power at Wide Output Current Range (Constant Power)
- Adjustable Output Current (AOC) with T4T(Tuner4TRONIC)
- Isolated 0(1)-10V/PWM/Resistor/AstroDIM(Timer)
- Adjustable Dimming Curve
- Integrated Dip Switch for Power Selection
- Auxiliary Power Supply: 12Vdc, 200mA on Specific Models
- 3 CCT Selection on Specific Models
- 3 Angle Selection on Specific Models
- End-of-Life Indicator
- Override Dimming
- Constant Lumen
- Input Surge Protection: DM 6kV, CM 6kV
- All-Around Protection: OTP, OVP, SCP
- 5 Years Warrant

Dimming Functions

Isolated 0(1)-10V/PWM/Resistor/AstroDIM(Timer)

Safety Certifications



About IT 0-10 N R P65(Highbay)

The IT 0-10 100/100-277/N R P65 series is a 100W constant-current, IP65 rated LEDdriver with a 90-305Vac input range and excellent power factor. Designed for industrial applications, it provides auxiliary power supply and dim-to-off functionality for low-voltage sensors. Dimming interface suitable for 0(1)-10V, PWM, resistive, and AstroDIM modes. With high efficiency and a compact metal housing, it operates cooler, enhancing reliability and extending product life. Integrated protections include input surge, output overvoltage, short circuit, and over-temperature safeguards for trouble-free operation.



EAN	Product Name	Output Power (W)	Adjustable Current Range(mA)	Min Dimming Output Current(mA)	Output Voltage (Vdc)	Efficiency (max.)	Dimensions (L×W×H) (mm)
6937186156525(1)*	IT 0-10 100/100-277/0A5/N DS R P65 U	100	33-500	33	180-300	95.5%	125 x 125 x 60
6937186156587(1)	IT 0-10 100/100-277/0A5/N DS R P65 V	100	33-500	33	180-300	95.5%	125 x 125 x 60
6937186156563(1)	IT 0-10 100/100-277/0A5/N 2C DS R P65 U A12 CCT	100	33-500	33	180-300	95.5%	125 x 125 x 60
6937186156624(1)	IT 0-10 100/100-277/0A5/N 2C DS R P65 V A12 CCT	100	33-500	33	180-300	95.5%	125 x 125 x 60
6937186185303	IT 0-10 100/100-277/0A5/N DS R P65 U	100	33-500	33	180-300	95.5%	125 x 125 x 60
6937186185341	IT 0-10 100/100-277/0A5/N DS R P65 V	100	33-500	33	180-300	95.5%	125 x 125 x 60
6937186185327	IT 0-10 100/100-277/0A5/N 2C DS R P65 U A12 CCT	100	33-500	33	180-300	95.5%	125 x 125 x 60
6937186185365	IT 0-10 100/100-277/0A5/N 2C DS R P65 V A12 CCT	100	33-500	33	180-300	95.5%	125 x 125 x 60
6937186156761(1)	IT 0-10 150/100-277/0A75/N DS R P65 U	150	50-750	50	180-300	96.0%	125 x 125 x 60
6937186156822(1)	IT 0-10 150/100-277/0A75/N DS R P65 V	150	50-750	50	180-300	96.0%	125 x 125 x 60
6937186156808(1)	IT 0-10 150/100-277/0A75/N 2C DS R P65 U A12 CCT	150	50-750	50	180-300	96.0%	125 x 125 x 60
6937186156860(1)	IT 0-10 150/100-277/0A75/N 2C DS R P65 V A12 CCT	150	50-750	50	180-300	96.0%	125 x 125 x 60
6937186185389	IT 0-10 150/100-277/0A75/N DS R P65 U	150	50-750	50	180-300	96.0%	125 x 125 x 60
6937186185426	IT 0-10 150/100-277/0A75/N DS R P65 V	150	50-750	50	180-300	96.0%	125 x 125 x 60
6937186185402	IT 0-10 150/100-277/0A75/N 2C DS R P65 U A12 CCT	150	50-750	50	180-300	96.0%	125 x 125 x 60
6937186185440	IT 0-10 150/100-277/0A75/N 2C DS R P65 V A12 CCT	150	50-750	50	180-300	96.0%	125 x 125 x 60
6937186157003(1)	IT 0-10 200/100-277/0A9/N DS R P65 U	200	67-900	67	180-300	96.50%	125 x 125 x 60
6937186157065(1)	IT 0-10 200/100-277/0A9/N DS R P65 V	200	67-900	67	180-300	96.50%	125 x 125 x 60
6937186157041(1)	IT 0-10 200/100-277/0A9/N 2C DS R P65 U A12 CCT	200	67-900	67	180-300	96.50%	125 x 125 x 60
6937186157102(1)	IT 0-10 200/100-277/0A9/N 2C DS R P65 V A12 CCT	200	67-900	67	180-300	96.50%	125 x 125 x 60
6937186185464	IT 0-10 200/100-277/0A9/N DS R P65 U	200	67-900	67	180-300	96.50%	125 x 125 x 60
6937186185501	IT 0-10 200/100-277/0A9/N DS R P65 V	200	67-900	67	180-300	96.50%	125 x 125 x 60
6937186185488	IT 0-10 200/100-277/0A9/N 2C DS R P65 U A12 CCT	200	67-900	67	180-300	96.50%	125 x 125 x 60
6937186185525	IT 0-10 200/100-277/0A9/N 2C DS R P65 V A12 CCT	200	67-900	67	180-300	96.50%	125 x 125 x 60
6937186157249(1)	IT 0-10 240/100-277/1A1/N DS R P65 U	240	80-1100	80	180-300	96.0%	126 x 125 x 60
6937186157300(1)	IT 0-10 240/100-277/1A1/N DS R P65 V	240	80-1100	80	180-300	96.0%	127 x 125 x 60
6937186157287(1)	IT 0-10 240/100-277/1A1/N 2C DS R P65 U A12 CCT	240	80-1100	80	180-300	96.0%	128 x 125 x 60
6937186157348(1)	IT 0-10 240/100-277/1A1/N 2C DS R P65 V A12 CCT	240	80-1100	80	180-300	96.0%	129 x 125 x 60
6937186185549	IT 0-10 240/100-277/1A1/N DS R P65 U	240	80-1100	80	180-300	96.0%	130 x 125 x 60
6937186185587	IT 0-10 240/100-277/1A1/N DS R P65 V	240	80-1100	80	180-300	96.0%	131 x 125 x 60
6937186185563	IT 0-10 240/100-277/1A1/N 2C DS R P65 U A12 CCT	240	80-1100	80	180-300	96.0%	132 x 125 x 60
6937186185600	IT 0-10 240/100-277/1A1/N 2C DS R P65 V A12 CCT	240	80-1100	80	180-300	96.0%	133 x 125 x 60

*(1): This model is available for sale in Mainland China only.



Advantages

- Power Range of 40W, 60W
- Input Voltage: 100 – 240V
- Suitable for luminaires of protection class I
- Fully programmable via software (DIG)
- Inventronics Digital Dimming V2.0, UART Based Communication Protocol Compliant with T/CSA-051
- Always-on Auxiliary Power: 4Vdc, 500mA
- Integrated Power Monitoring with High Accuracy up to ±3%
- High-quality dimming of 10...100 %

About IT 0-10 DIG

The IT DIG 100-240 R V A04 is constant-power, IP65 rated LED drivers that operates from 90-264Vac input with excellent power factor. It is created for many lighting applications including explosion-proof lighting and low bay, etc.

The high efficiency of these drivers and compact metal case enables them to run cooler, significantly improving reliability and extending product life.

To ensure trouble-free operation, protection is provided against input surge, output over voltage, short circuit, and over temperature.

Dimming Functions

- Inventronics Digital Dimming V2.0

Safety Certifications



EAN	Product Name	Output Power (W)	Adjustable Current Range(mA)	Min Dimming Output Current(mA)	Output Voltage (Vdc)	Efficiency (max.)	Dimensions (L×W×H)(mm)
6937186158727	IT DIG 40/100-240/1A05 R V A04	40	70-1050	70	24-57	88.0%	φ75 x 32
6937186158741	IT DIG 60/100-240/1A5 R V A04	60	105-1500	105	24-57	89.0%	φ75 x 32

IT 0-10 Non-isolated BRICK



Advantages

- Non-Isolated Design with Low Residual Output Voltage < 2 kV
- No Afterglow on Specific Models
- Ultra High Efficiency (Up to 97%)
- Full Power at Wide Output Current Range (Constant Power)
- Adjustable Output Current (AOC) with T4T (Tuner4TRONIC)
- Dim-to-Off with Standby Power ≤ 0.5 W
- Adjustable Dimming Curve
- Always-on Auxiliary Power: 12Vdc, 200mA
- End-of-Life Indicator
- Override Dimming
- Constant Lumen
- Additional port (BM+) for current setting via external Dip Switch
- Additional port (OP+) for external Light Sensor
- Input Surge Protection: DM 6kV, CM 6kV
- All-Around Protection: OTP, OVP, SCP

Dimming Functions

- Isolated 0(1)-10V/PWM/Resistor/AstroDIM(Timer)

Safety Certifications



About IT 0-10 Non-isolated BRICK

The BRICK IT 0-10 /100-277/N y series is a constant-current and IP20 rated LED driver that operates from 90-305Vac input with excellent power factor. Created for area lighting application, this family provides an auxiliary voltage and dim-to-off functionality for powering low voltage sensors. The dimming control supports 0(1)-10V, PWM dimming, resistor dimming, and AstroDIM dimming. The high efficiency of these drivers and compact metal case enables them to run cooler, significantly improving reliability and extending product life. To ensure trouble-free operation, protection is provided against input surge, output over voltage, short circuit, and over temperature.

EAN	Product Name	Output Power (W)	Connection	Adjustable Current Range(mA)	Min Dimming Output Current(mA)	Output Voltage (Vdc)	Efficiency (max.)	Dimensions (L×W×H) (mm)
6937186162281	IT 0-10 100/100-277/0A5/N E A12 OP	100	Push Terminal	33-500	33	180-300	96.0%	120.6 x 55 x 33
6937186162304	IT 0-10 150/100-277/0A75/N E A12 OP	150	Push Terminal	50-750	50	180-300	96.5%	120.6 x 55 x 33
6937186162328	IT 0-10 200/100-277/0A9/N E A12 OP	200	Push Terminal	67-900	67	180-300	96.0%	135.6 x 55 x 33
6937186162342	IT 0-10 240/100-277/1A1/N E A12 OP	240	Push Terminal	80-1100	80	180-300	97.0%	135.6 x 55 x 33
6937186162366	IT 0-10 320/100-277/1A6/N E A12 OP	320	Push Terminal	107-1600	107	180-300	96.5%	176.6 x 55 x 33
6937186162885	IT 0-10 100/100-277/0A5/N F A12 OP	100	Flying Leads	33-500	33	180-300	96.0%	120.6 x 55 x 33
6937186162908	IT 0-10 150/100-277/0A75/N F A12 OP	150	Flying Leads	50-750	50	180-300	96.5%	120.6 x 55 x 33
6937186162922	IT 0-10 200/100-277/0A9/N F A12 OP	200	Flying Leads	67-900	67	180-300	96.0%	135.6 x 55 x 33
6937186162946	IT 0-10 240/100-277/1A1/N F A12 OP	240	Flying Leads	80-1100	80	180-300	97.0%	135.6 x 55 x 33
6937186162960	IT 0-10 320/100-277/1A6/N F A12 OP	320	Flying Leads	107-1600	107	180-300	96.5%	176.6 x 55 x 33





Advantages

- High efficiency up to 96%
- Input Voltage Range: 108 ~ 305Vac
- Fix output of 700mA
- Long life time
- Input Surge Protection: DM 6kV, CM 6kV
- Suitable for Luminaires with Protection Class I
- IP67

About EM P7 G2

The EM P7 G2 series is constant-current LED driver that operates from 108-305Vac and providing a stable, efficient solution for outdoor area lighting.

Dimming Functions

Not relevant

Safety Certifications



Output Power (W)	Product Name	Adjustable Current Range(mA)	Output Voltage Range (Vdc)	Eff.@ 220Vac	Lifetime (hours)	Dimensions (L×W×H)(mm)
100	EM 100/120-277/700 P7 G2	700	100 ~ 143	93.5%	50,000 Tc=75°C	143.5 x 56 x 33
150	EM 150/120-277/700 P7 G2	700	150 ~ 215	94.5%	50,000 Tc=75°C	143.5 x 56 x 33
200	EM 200/120-277/700 P7 G2	700	200 ~ 285	95.5%	50,000 Tc=75°C	150.5 x 56 x 33
240	EM 250/120-277/700 P7 G2	700	240 ~ 343	96.0%	50,000 Tc=75°C	150.5 x 56 x 33



OT FIT D NFC IND L

Advantages

- Line frequency: 0 Hz | 50 Hz | 60 Hz
- Versatile scope of application due to output power range of up to 300 W
- Supply voltage: 220 ~ 240 V
- Available with output current range: up to 1,600 mA
- Constant Lumen Output (CLO)
- Non-isolated drivers
- Flexible and future-proof current setting via NFC and LT2
- Lifetime: up to 100,000 h (temperature at Tc = 75 °C, max. 10 % failure rate)
- Wide operating temperature range: -40 ~ +65 °C
- High quality of light thanks to 1% output ripple current
- High surge protection: up to 4 kV (L-N) / 4 kV (L/N-PE)
- Very high efficiency (up to 96%)
- Integrated inrush current limiter
- Fulfill safety requirement due to overload, overtemperature

Safety Certifications



EAN	Product Name	Nominal output power (W)	Nominal output current (mA)	Nominal output voltage (Vdc)	Efficiency (max.)	Dimensions (L×W×H)(mm)
6937186103703	OT FIT 75/220-240/550 D NFC IND L	8.0 ~ 75	125 ~ 550	64 ~ 300	94%	360 x 30 x 21
6977770438309	OT FIT 100/220-240/700 D NFC IND L	28 ~ 100	200 ~ 700	64 ~ 300	96%	360 x 30 x 21
6977770438323	OT FIT 150/220-240/1A0 D NFC IND L	43 ~ 150	250 ~ 1000	64 ~ 300	96%	360 x 30 x 21
6937186103727	OT FIT 300/220-240/1A6 D NFC IND L	40 ~ 300	250 ~ 1550	60 ~ 300	96%	360 x 46 x 28

More Technical Data





Advantages

- Very high Efficiency up to 97%
- Current adjustable via NFC
- CLO integrated for maximizing energy savings
- Small, slim white metal housing
- Suitable for emergency lighting units
- Wide Output current range
- Low THD ~ 4.7% @ full load
- MultiLumen function
- Input voltage: 220 ~ 240VAC
- Ambient temp range ta: -25 ~ +55°C
- Wide output voltage range
- CLO – Constant Lumen Output
- Fixed output (no dimming)
- 5 years guarantee

About OT FIT N NFC L HE

OPTOTRONIC Linear OT FIT Non isolated High Efficiency Power Supply is the ideal choice for linear and area fixtures for office - industrial - shop lighting requiring very high conversion efficiency, extended operative window with excellent Harmonic Distortion and Power Factor in all working conditions

Dimming Functions

Not relevant

Safety Certifications



EAN	Product Name	Nominal output power (W)	Nominal output current (mA)	Nominal output voltage (Vdc)	Efficiency (max.)	Dimensions (L×W×H)(mm)
6937186128447	OT FIT 75/220-240/550 N NFC L HE	4 ~ 75	35 ~ 550	54 ~ 240	95.1%	280 x 30 x 16
6937186128461	OT FIT 150/220-240/1A0 N NFC L HE	28 ~ 150	200 ~ 1000	64 ~ 300	97%	280 x 30 x 21

More Technical Data





Advantages

- Dip switch for 4 output currents per model
- High light quality thanks to low ripple
- PF > 0.95, Low THD < 10% @ full load
- Excellent price/quality/watt ratio
- CCT selection
- Suitable for Class I luminaires

Dimming Functions

Not relevant

Safety Certifications



Product Name	Output Power (W)	Adjustable Current Range (mA)	Min Dimming Output Current (mA)	Output Voltage (Vdc)	Eff. @220Vac	Dimensions (L×W×H)(mm)
EM FIT 18/220-240/0A35/N CS L CCT	18	200/250/300/350	not relevant	24 ~ 54	87%	168 x 30 x 21
EM FIT 40/220-240/0A35/N CS L CCT	40	200/250/300/350	not relevant	40 ~ 120	90%	168 x 30 x 21
EM FIT 60/220-240/0A35/N CS L CCT	60	200/250/300/350	not relevant	90 ~ 175	90%	168 x 30 x 21
EM FIT 75/220-240/0A55/N CS L CCT	75	350/400/500/550	not relevant	90 ~ 216	91%	210 x 30 x 21



Advantages

- Dip switch for 4 output currents per model
- High light quality thanks to low ripple
- PF > 0.95, Low THD < 10% @ full load
- Excellent price/quality/watt ratio
- Suitable for Class I luminaires
- SELV and non isolated (N) versions

Dimming Functions

Not relevant

Safety Certifications



Product Name	Output Power (W)	Adjustable Current Range (mA)	Min Dimming Output Current (mA)	Output Voltage (Vdc)	Eff. @220Vac	Dimensions (L×W×H)(mm)
EM FIT 18/220-240/0A35/N CS L	18	200/250/300/350	not relevant	24 ~ 54	87%	168 x 30 x 21
EM FIT 40/220-240/0A35/N CS L	40	200/250/300/350	not relevant	40 ~ 120	90%	168 x 30 x 21
EM FIT 60/220-240/0A35/N CS L	60	200/250/300/350	not relevant	90 ~ 175	90%	168 x 30 x 21
EM FIT 75/220-240/0A55/N CS L	75	350/400/500/550	not relevant	90 ~ 216	91%	210 x 30 x 21
EM FIT 18/220-240/0A35 CS L	18	200/250/300/350	not relevant	27 ~ 51	87%	168 x 30 x 21
EM FIT 40/220-240/0A8 CS L	40	500/600/700/800	not relevant	27 ~ 51	90%	168 x 30 x 21
EM FIT 60/220-240/1A2 CS L	60	900/1050/1100/1200	not relevant	27 ~ 51	90%	210 x 30 x 21
EM FIT 75/220-240/1A6 CS L	75	1300/1400/1500/1600	not relevant	27 ~ 51	91%	280 x 30 x 21

PU-10Kx05KBxA



■ Features

- 90-305Vac Working Input Voltage
- Uoc=10kV & In=5kA
- Certified for both EN 61643-11 - T2 & T3
- Protection Mode for TN, TT and IT-Systems
- Available for Series & Parallel Installation
- Available for Class I & Class II luminaires
- Double Thermally Protected
- End-of-life LED Indicator
- High Temperature, 85°C Maximum Surface Temp
- Input Over Voltage Protection at 440Vac with 48 Hours
- IP66 / IP67

PU-20Kx10KTxx



■ Features

- Compatible with Inventronics LED Drivers
- 90-305Vac Working Input Voltage
- 15 kA Maximum, 10 kA Nominal (15 strikes) Surge Current Rating Using Industry Standard 8/20µs Wave
- UL1449 Type 4, EN 61643-11 – Surge Protective Devices T2 & T3
- IEEE C62.41.2 Location Category C High
- High Temperature, 85°C Maximum Ambient
- Flameproof Plastic Enclosure
- IP66

PU-20KS10KHT



■ Features

- Compatible with Inventronics LED Drivers
- 90-305Vac Working Input Voltage
- DM, CM Surge Protection Mode
- Maximum Discharge Current (Imax) 20kA, 8/20µs
- Nominal Discharge Current (In) 10kA, 8/20µs
- UL1449 Type 5 Recognized Component
- IEEE C62.41.2 Location Category C High Exposure
- High Temperature, 85°C Maximum Surface Temp Rating

PS-20KS10KHT



■ Features

- Compatible with Inventronics LED Drivers
- 249-528Vac Working Input Voltage
- DM, CM Surge Protection Mode
- Maximum Discharge Current (Imax) 20kA, 8/20µs
- Nominal Discharge Current (In) 10kA, 8/20µs
- UL1449 Type 5 Recognized Component
- IEEE C62.41.2 Location Category C High Exposure
- High Temperature, 85°C Maximum Surface Temp Rating

SPD G3



SPD G3

SPD P5 G3



■ Features

- Mains Voltage to 320Vac
- Suitable for Luminaries of Protection Class I/II
- Fully LED Driver Protection by Up <2kV
- High Surge Protection of Up to 20 kV / 10 kA (L-N);
Comply with IEC 61643-11 - T3
- Maximum Surge Protection of Up to 20 kA;
Comply with IEC 61643-11 - T2
- TÜV Approved Acc. to IEC 61643-11 – T2 & T3
- IP20(SPД G3)
- IP65(SPД P5 G3)



Advantages

- Module efficacy: up to 193 lm/W
- Available with luminous flux: 1,400 lm on 280 mm
- Available with luminous flux: 2,800 lm on 560 mm
- Available with color temperature: 4,000 K, 5,000 K or 6,500 K
- High initial color consistency: ≤ 3 SDCM
- Average lifetime (L80 B50): 100,000 h (temperature at $T_c = 60^\circ\text{C}$)
- CE marked, ENEC certified
- LED module for robust application
- Very long lifetime
- Reliable system between IND LED module and Optotronic
- OT IND driver
- Adjustable luminous flux, efficacy and lifetime

Safety Certifications



More Technical Data





PrevaLED Linear G6

Advantages

- Module efficacy: up to 173 lm/W
- Available with luminous flux: 245 lm on 62 mm, 275 lm on 70 mm
- Available with luminous flux: 1,100 lm or 2,000 lm on 280 mm
- Available with luminous flux: 2,200 lm or 4,000 lm on 560 mm
- Color rendering index: 90
- High initial color consistency: ≤ 3 SDCM
- Average lifetime (L80 B50): 70,000 h (temperature at $T_c = 50^\circ\text{C}$)
- Slim luminaire design by small and flexible form factor
- High homogeneity thanks to small LED pitch
- High voltage (HV) optimized for non-isolated, low voltage (LV) optimized for SELV operation
- Adjustable luminous flux, efficacy and lifetime
- Direct the light where it's needed while using PrevaLED
- Linear Optics

Safety Certifications



More Technical Data





Advantages

- High-performance module for outdoor and street lighting
- Dimensions aligned with Zhaga book 15 and 19
- Compatible with third party optics, e.g. from LEDIL, BJB
- High module efficiency for demanding lighting solutions
- Thermal monitoring with NTC on LED Module
- Several color temperatures: 1,800 K, 2,200K, 2,700 K, 3,000 K, 4,000 K, 5,700 K and 6,500 K and with CRI > 70 and CRI > 80
- Initial color consistency: ≤ 5 SDCM
- PL Brick HP: focused on combination of high robustness and high lumen maintenance
- PL Brick HP HE: focused on combination of high efficiency and high lumen output
- PL Brick HP UHE: focused on combination of high efficiency, high lumen output and improvement of the H2S Robustness

About PL Brick

PL Brick is an LED Module series for Outdoor lighting application based on the Zhaga Standard

Different configurations based on LED quantities, CCT, CRI, LED Technology are available.

Complying with Zhaga Book 15 (IP00 version) and Book 19 (IP66 version with dedicated optics)

Furthermore, PL Brick is also available with 2 different LED Strings for dual channels systems and integration into Tunable White applications

Safety Certifications



PL Brick HP

Product Name	Single Color (K)	Nominal Voltage (V)	Nominal Current (A)	On-Mode Power (W)	Luminous Efficacy (lm/W)	Luminous Flux (lm)	Number of LEDs Per Module
PL-BRICK HP 1000 740 2x2	4000	11.3	0.53	6.0	178	1067	4
PL-BRICK HP 1900 740 2x4	4000	22.6	0.53	12.0	178	2140	8
PL-BRICK HP 2850 740 2x6	4000	34.0	0.53	18.0	179	3225	12
PL-BRICK HP 3800 740 2x8	4000	45.3	0.53	24.0	179	4290	16
PL-BRICK HP 2850 740 2X6 IP G2	4000	34.0	0.53	18.0	179	3225	12

PL Brick HP HE

Product Name	Single Color (K)	Nominal Voltage (V)	Nominal Current (A)	On-Mode Power (W)	Luminous Efficacy (lm/W)	Luminous Flux (lm)	Number of LEDs Per Module
PL-BRICK HP 1900 740 2x4 HE	4000	22.6	0.53	12.0	192	2300	8
PL-BRICK HP 2850 740 2x6 HE	4000	34.0	0.53	18.0	192	3450	12
PL-BRICK HP 3800 740 2x8 HE	4000	45.3	0.53	24.0	192	4600	16
PL-BRICK HP 7500 740 3x8 HE IP	4000	66.8	0.53	35.9	183	7100	24

PL Brick HP HE 2CH

Product Name	Single Color (K)	Nominal Voltage (V)	Nominal Current (A)	On-Mode Power (W)	Luminous Efficacy (lm/W)	Luminous Flux (lm)	Number of LEDs Per Module
PL-BRICK HP 3000 722-740 2X4 HE 2CH	2200	23	0.35	8.1	155	1250	2x4
	4000	23	0.35	8.1	190	1550	
PL-BRICK HP 6000 722-740 2X8 HE 2CH	2200	45	0.35	16.2	155	2510	2x8
	4000	45	0.35	16.2	190	3000	

PrevaLED Brick UHE

Product Name	Single Color (K)	Nominal Voltage (V)	Nominal Current (A)	On-Mode Power (W)	Luminous Efficacy (lm/W)	Luminous Flux (lm)	Number of LEDs Per Module
PL-BRICK HP 1000 740 2x2 UHE	4000	11.1	0.53	5.9	207	1220	4
PL-BRICK HP 1900 740 2x4 UHE	4000	22.1	0.53	11.7	209	2440	8
PL-BRICK HP 2850 740 2x6 UHE	4000	33.0	0.53	17.5	209	3660	12
PL-BRICK HP 3800 740 2x8 UHE	4000	44.0	0.53	23.3	209	4880	16
PL-BRICK HP 2850 740 2x6 UHE IP	4000	33.0	0.53	17.5	209	3660	12
PL-BRICK HP 7500 740 3x8 UHE IP	4000	65.7	0.53	34.8	210	7320	24



Lighting Systems

- Retail, Hospitality & Residential Lighting
- Commercial Lighting



Lighting system solutions-Retail, Hospitality and Residential	151
---	-----

Lighting system solutions-Commercial	157
--------------------------------------	-----

01 Controls, Sensors, Programming Tools & Accessories

1.1 DALI	DALI PRO 2 IoT	161
	DALI MCU TW G2	162
	DALI ECO BT RTC	163
	DALI-2 REP LI	164
1.2 Bluetooth NLC	Bluetooth NLC D4i Sensor Indoor	165
	Bluetooth NLC 0-10 Sensor Indoor	166
	Bluetooth NLC 220-240 LS/PD CI	167
1.3 Software	HubSense Commissioning	168
	Tuner4TRONIC	168
	DALI PRO PC TOOL	168
	DALI PRO CONTROL	168
	DALI Wizard	168
	BT Config	168
	BT CONTROL	168
1.4 Programming Tools	DALI magic	169

02 LED Driver & Accessories

2.1 Connected - Constant Current	OT WI D NFC BL L	170
	OT Wi NFC BL L	171
	OTi DX NFC L	172
	OTi DX D NFC L	173
	OTi DALI NFC TW L	174
	OTi DALI D NFC TW L	175
	OTi DALI D LT2 UF L	176
	OTi DALI D NFC F L	177
	OTi DALI N NFC L HE	178
	OTi DALI NFC L	179
	IT DALI LT2 L	180
	IT DALI N DS L	181
	OT WI NFC BL LPI	182
	OTi DALI NFC LP	183
	OTi DX NFC	184
	OTi DALI NFC T	185
	OT WI NFC CA T	186
	IT DALI CS	187
	IT DALI CS HE	188
	IT DALI DS C CCT	189

2.2 Connected - Constant Voltage	IT D0 24V 1CH-2CH	190
	OTi DALI 48V 1CH	192
	OT Wi 24V CA	193
	OTi DALI 24V	194
	OT WI DIM 5CH CA	195
2.3 Simple DIM - Constant Current	OT FIT CS PC	196
	IT DIM CS I	197
2.4 Simple DIM - Constant Voltage	OT DMX DIM 5CH	198
	OT PC 24V	199
	IT D0P 12-48V	200
	IT D0P 24V 2CH P67	201
2.5 Non Dimmable - Constant Current	OT FIT NFC L	202
	OT FIT D NFC L	203
	OT FIT NFC G2	204
	IT FIT CS MINI	205
	IT FIT CS ROUND	206
	IT FIT CS (I)	207
	IT FIT CS (I) HE	208
	IT FIT DS C LP	209
	IT FIT CS T	210
	IT FIT CS T HE	211
	IT FIT CS TI	213
	EM FIT DS C CCT	214
	ELEMENT	215
	EM II (EM Panel)	217
	2.6 Non Dimmable - Constant Voltage	IT FIT 24V
OT SLIM 24V		219

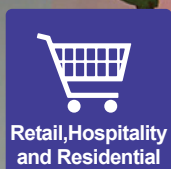
03 Light Modules & Accessories

3.1 Rigid	PrevaLED Linear G6	220
	PrevaLED Core G8	221
	PrevaLED COIN 50 COB G2	222
	PrevaLED Flat AC BL	223
3.2 Flexible	LINEARlight FLEX Infinite IP00	224
	LINEARlight FLEX Infinite Protect	225
	LINEARlight FLEX Uniformity	226
	BASIC FLEX Shortpitch	227
	Tec FLEX NeoGen IP00 & IP67	228
	Tec FLEX NeoGen Shortpitch IP00	229
	LINEARlight FLEX Colormix	230
	LINEARlight FLEX Tunable White IP00	231
	LINEARlight FLEX Tunable White Protect	232
	LINEARlight FLEX Diffuse TOP	233
	LINEARlight FLEX Diffuse SIDE	234
	TEC FLEX DIFFUSE RGBW	235
	addressable TOP	
	TEC FLEX DIFFUSE RGBW	236
addressable SIDE		

Lighting System Solutions

Retail, Hospitality and Residential

— Light is experience!





Whether it's a boutique store or a luxury home, by selecting our cutting-edge technology, including superior dimming capabilities, tuneable white technology, and smart controls, you allow your lighting solutions to seamlessly adjust to various needs and preferences,

Expertise

Shops and residential environments requires linear, surface, and spot-lighting sources to create a desired mood & experience. Choose our lighting systems to ensure you get the most valuable and advanced benefits in the market:



Miniaturized systems



Smart light control



Efficient color rendering

System Value

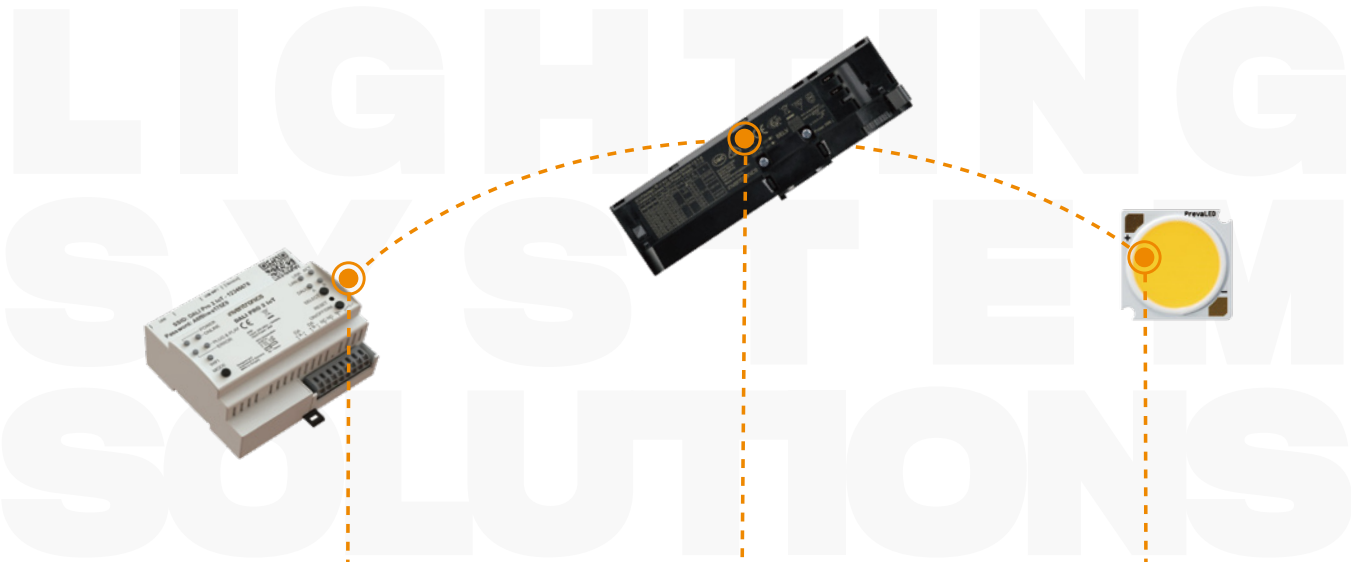
- Compact components making use of state-of-the-art technology.
- Highest light uniformity and outstanding color temperature across the full portfolio.
- Full dimming functionality with precise resolution and uniformity across multiple light sources at any dimming level.
- Sophisticated (while simple to use) lighting controls and sensors for wired or wireless system scalability and smart illumination.
- Best in class levels of efficiency and durability, making our system a building block for sustainability in any lighting project.
- Global technical service and component customization to support your designs and prestigious lighting projects, anywhere.

Sub-applications



Retail & Shops

Lighting System Solutions



Control Unit

LED Driver

Light Module



Hospitality



High-end Residential

▶ The ultimate courtyard combining
life, nature, and art.
*The Courtyard, Oxfordshire,
UK*



Inventronics Cases





◀ Craft a shopping paradise
blending luxury with warmth.
**Marina Mall – Abu Dhabi,
UAE**

Lighting System Solutions

Commercial

— Light at work!





Choose the most fitting
cost-benefit smart lighting system
for your solutions.

By selecting our advanced
systems, your solutions will deliver
quality lighting, reduce operational
costs, and add benefits of IoT
services beyond lighting.

Expertise

Lighting systems play a crucial role in promoting comfort, productivity and energy efficiency for public buildings, offices and education institutions.

Our solutions are designed to deliver maximum flexibility with highest quality of light as a result of:



Sophisticated lighting control



Efficient & durable components



Simple operation & future scalability

System Value

- Our systems are built on fully tested, interoperable components, including LED modules, smart drivers, sensors, and controls.
- Best-in-class levels of efficiency and durability, making them a building block for sustainable solutions and circular economy.
- We champion standardization to integrate the latest technical advancements in the lighting industry.
- Beyond complete lighting systems, we provide comprehensive technical support, from customization to meeting special requirements.
- Our smart controls, both wired and wireless, ensure light comfort without compromising energy savings, while remaining open to IoT services beyond lighting applications.
- Systems designed to meet the application requirements with geographical fit.

Sub-applications

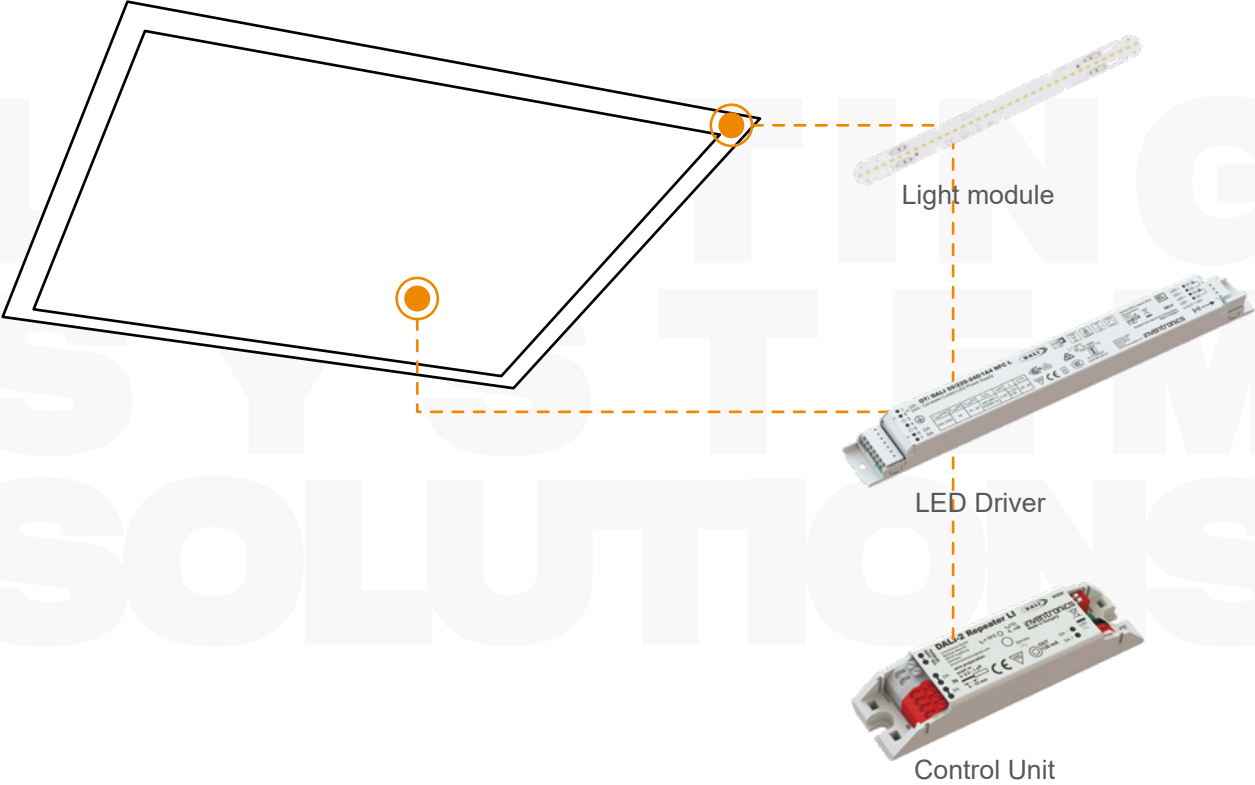


Office Buildings



Schools

Lighting System Solutions



Government



Healthcare

Inventronics Cases



▶ Create human-centric lighting environments.
Fernandez Molina Offices, Madrid, Spain



▲ Daylight and presence-dependent office lighting on 18 floors – all wireless thanks to HubSense.
Office lighting, Leeuwarden, Netherlands



Set a new benchmark for modern lighting in office spaces.

Office lighting – Greenford, UK



Intelligent lighting solutions that create a human-centric and sustainable lighting experience with a powerful control system.

**Inventronics office,
Gurgaon, India**



DALI PRO 2 IoT

Advantages

- DALI-2 certified
- IoT ready with built-in gateway for remote data access
- Easy browser-based commissioning UI and Professional Software available
- Small form factor: only 6 TE (DIN rail)
- Commissioning via Ethernet/WLAN
- DALI-2 certified for improved multi-vendor interoperability
- Template based onsite commissioning via Smart device
- Building Management System integration via API or optional KNX interface
- Remote access for changes in the configuration from every location
- LAN Interconnect to connect up-to 8 Controllers into one network
- API for connection of a 3rd party SW or Cloud with the DALI Pro 2 IoT Controller
- Automated testing and reporting of emergency lighting installations
- Daylight Simulation via scene recall and/or light sensor regulation
- Supports HCL, RGBW+TW applications

Safety Certifications



EAN	Product Name
6977078993692	DALI PRO 2 IOT

More Technical Data





DALI MCU TW G2

Advantages

- Up to 4 DALI PCU TW G2 can be connected in parallel to set up multiple control points
- Automatic synchronization between the control points
- Cover and rotary switch in neutral white
- Length of the DALI control cable: up to 300 m
- Intuitive manual dimming, switching and changing of colour temperature
- Individual setting of minimal brightness level
- Individual setting of colour temperature range

Safety Certifications



EAN	Product Name
6977078993777	DALI MCU TW G2

More Technical Data





Advantages

- Compact light control with DALI interface
- Smart phone connection via Bluetooth® to control and configure
- Integrated clock for time based control of brightness and color temperature (HCL)
- Adaptable HCL curve with up to 24 points
- One DALI output channel (Broadcast or Groupcast)
- Up to 32 DALI luminaires connectable
- Supports up to 4 Inventronics DALI sensors and pushbutton couplers
- Daylight-dependent regulation and presence-dependent control of light
- Pushbutton interface to separately control brightness and color temperature
- Daytime depending change of brightness and color temperature (HCL)
- Suitable for Human Centric Lighting Applications (HCL)
- Control the light via Smartphone
- Adjustment of all settings via smartphone
- Up to 4 timers with ON-/OFF-Time and weekday configurable
- Simplified startup thanks to predefined operation modes
- Intuitive manual dimming, switching and changing of colour temperature
- Up to 4 groups separately controllable
- Adjustable Offset for different groups
- Easy Scene creation via App
- Firmware update over-the-air via Bluetooth possible
- Integrated DALI supply
- Control of standard white or Tunable White light acc.
- DALI device type 8 (DT8)
- Selected DALI parameters changeable via APP

Safety Certifications



EAN	Product Name
6977078993753	DALIECO BT RTC CONTROL

More Technical Data





DALI-2 REP LI



Advantages

- Expansion of DALI systems by 64 DALI control gears each time
- Extends the DALI line by 300 m
- Maximum power consumption in stand-by mode: 1 W
- Four versatile operating modes: Basic, Group, Extend, Touch DIM
- Basic mode: DALI-2 certified DALI converter for grouping up to 64 standard DALI drivers.
- Group mode: Groups up to 64 DALI drivers and up to 5 Inventronics DALI-2 sensors.
- Group mode: Supports standard DALI drivers and DALI-DT8 drivers (TW / RGB (W)).
- Touch DIM mode: Simple switching and dimming of up to 64 drivers.
- Powerful power supply: 130 mA DALI bus power supply
- Can be addressed via DALI

Safety Certifications



EAN	Product Name
6937186116437	DALI-2 REP LI

More Technical Data





Bluetooth NLC D4i Sensor Indoor

Advantages

- With/without Daylight and Occupancy Sensor D4i Module
- Bluetooth NLC enabled by Silvair
- Control of D4i drivers or DALI drivers with additional DALI bus power supply
- Intended for installation into a standard ½" knockout
- Works with Hubsense®
- Standard communication protocol released by Bluetooth SIG
- Design freedom due to compact size
- Easy to integrate in luminaire
- Minimize internal wiring in combination with D4i drivers
- Secured product communication granted by ioXT and PSA Certificates

Safety Certifications



EAN	Product Name
6977078990363	B NLC D HB LI
6977078990387	B NLC D LI R
6977078990448	B NLC D MB LI
6977078990462	B NLC D LB LI
6977078993425	B NLC D OF LI BK
6977078997041	B NLC D OF LI S
6977078997553	B NLC D OF LI

More Technical Data





Bluetooth NLC 0-10 Sensor Indoor



Advantages

- Design freedom due to compact size
- Easy to integrate in luminaire
- Minimize internal wiring in combination with 0-10V LED drivers
- With/without Daylight and Occupancy Sensor
- Bluetooth NLC
- Control of 0-10V LED drivers
- Works with Inventronics Hubsense

Safety Certifications



EAN	Product Name
6937186115959	B NLC A OF LI
6937186115973	B NLC A HB LI
6937186115997	B NLC A LI R

More Technical Data





Advantages

- Presence detection via passive IR element
- Detection height up to 4 meter
- Bluetooth NLC enabled by Silvair
- Suitable for up to 16 DALI-2 LED drivers (Part - 207) in broadcast mode
- Ambient light dependent control and presence detection
- Shutter included to optimize sensor detection
- Simplified mounting for flush device boxes
- Large motion detection range

Safety Certifications



EAN	Product Name
6977078990400	B NLC 220-240 LS/PD CI

More Technical Data



SOFTWARE

Software

Overview

Inventronics offers a comprehensive range of professional software solutions to support and configure its components.



T4T



Apps



HubSense Commissioning



The "HubSense Com" app is a tool to carry out configurations and to test light settings for the installer and the system integrator in order to intuitively commission on site Bluetooth Mesh components (QBM), which are qualified according to the standard.



Tuner4TRONIC



A software suite for OEMs that enables the configuration of all programmable OPTOTRONIC, ICUTRONIC, QUICKTRONIC, and POWERTRONIC LED drivers during the luminaire manufacturing process.



DALI PRO PC TOOL



Software for configuring DALI installations in combination with the DALI PROFESSIONAL control unit DALI PRO C-4 RTC or DALI PRO 2 IoT. DALI PRO 2 IoT is an innovative lighting management control technology for the IoT era.



DALI PRO CONTROL



Easily manage complex lighting scenarios at a touch: switch or dim lights, change light colors or adjust the color temperature.



DALI Wizard



A GUI tool for setting up, analyzing, and diagnosing DALI ECG installations, used in combination with the DALI Wizard control device.



BT Config



An app that offers standalone component detection and automatic light calibration, eliminating the need for manual commissioning and adjustments of daylight-dependent controls.



BT Control



Allows the control of DALI-enabled luminaires via a smartphone, including light level and color temperature adjustments, as well as the storage of individual lighting scenes.

PROGRAMMING TOOLS

Programming Tools

DALI magic



Features

- USB DALI converter for Tuner4TRONIC and DALI wizard software for Windows PC
- Pushbutton to test DALI dimming without need of connection to computer
- Powered by USB or by included universal power supply
- Integrated automatic DALI supply of up to 64 devices (up to 4 if powered by USB)



Advantages

- Qualified Bluetooth mesh enabled by Silvair
- Supply voltage: 220 ~ 240 V
- Line frequency: 0 Hz | 50 Hz | 60 Hz
- Line voltage: 198 ~ 264 V
- Lifetime: up to 100,000 h
- Type of protection: IP20
- Non-isolated drivers
- Versatile QBM window driver up to 100 W and 750 mA
- Fully programmable via software (NFC)
- Very high efficiency
- High-quality dimming of 1 ~ 100 % (amplitude and/or PWM selectable by software)

- Higher quality of light thanks to < 1% output ripple current
- Fulfils safety requirement due to overload, overtemperature
- Hot Plug protection

Dimming Functions

Bluetooth NLC

Safety Certifications



EAN	Product Name	Nominal output power (W)	Nominal Output Current (mA)	Output Voltage (Vdc)	Efficiency (max.)	Dimensions (L×W×H)(mm)
6937186112057	OT Wi 35/220-240/400 D NFC BL L	4 ~ 38	75 ~ 400	54 ~ 240	92%	280 x 30 x 21
6937186112071	OT Wi 75/220-240/550 D NFC BL L	6.5 ~ 75	125 ~ 550	54 ~ 240	93%	280 x 30 x 21
6937186112095	OT Wi 100/220-240/750 D NFC BL L	5.4 ~ 100	100 ~ 750	54 ~ 260	94%	280 x 30 x 21

More Technical Data





Advantages

- Qualified Bluetooth mesh enabled by Silvair
- Compatible with the NLC wireless standard
- Fully programmable via software (NFC)
- High quality of light thanks to <1% output ripple current
- Suitable for installation in emergency lighting systems
- Very high efficiency
- SELV safety design

Dimming Functions

Hubsense

About OT Wi NFC BL L

This is the SELV linear LED driver, with wireless bluetooth control, NFC programmable function, current setting, and suitable for emergency lighting, It can work in Hubsense system.

Safety Certifications



EAN	Product Name	Output Power (W)	Adjustable Current Range(mA)	Min Dimming Output Current(mA)	Output Voltage (Vdc)	Efficiency (max.)	Dimensions (L×W×H)(mm)
6937186112170	OT Wi 35/220-240/1A0 NFC BL L	35	200...1050 mA	10.5	15...54 V	89.0%	280 x 30 x 21
6937186112194	OT Wi 50/220-240/1A4 NFC BL L	50	400...1400 mA	14	15...54 V	90.0%	280 x 30 x 21
6937186112217	OT Wi 80/220-240/2A1 NFC BL L	80	600...2100 mA	21	20...54 V	90.0%	280 x 30 x 21

More Technical Data





Advantages

- Integrated DEXAL Bus power supply for sensors and wireless radios
- Advanced luminaire/driver data (power, energy, operating hours...) for analytics
- Following DiiA Specification Parts -250, -251, -252 and -253
- Fully programmable via T4T software (NFC, DALI Interface)
- Easy connection to different partner BMS systems
- Suitable for installation in emergency lighting systems
- Very high efficiency
- SELV safety design

Dimming Functions

D4i / DALI / Touch DIM / Corridor

About OTI DX NFC L

Innovative SELV linear driver with DEXAL technology.

Ready for luminaire design with wireless lighting controls / sensors

Prepared for DALI-PMD standard

Including additional features such as Driver Guard, Soft Switch Off...

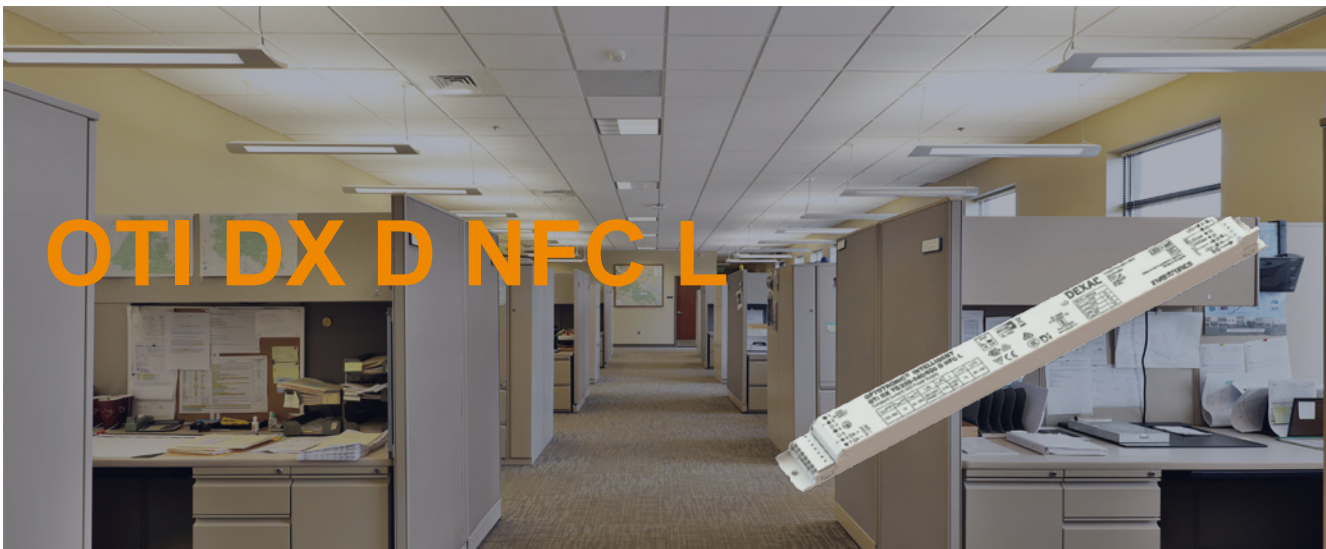
Safety Certifications



EAN	Product Name	Output Power (W)	Adjustable Current Range(mA)	Min Dimming Output Current(mA)	Output Voltage (Vdc)	Efficiency (max.)	Dimensions (L×W×H)(mm)
6937186111937	OTI DX 35/220-240/700 NFC L	35	200...1050 mA	10.5	15...54 V	89.0%	360x30x21
6937186111951	OTI DX 50/220-240/1A4 NFC L	50	400...1400 mA	14	15...54 V	90.0%	360x30x21
6937186111975	OTI DX 80/220-240/2A1 NFC L	80	600...2100 mA	21	15...54 V	91.0%	360x30x21

More Technical Data





Advantages

- Integrated DEXAL Bus power supply for sensors and wireless radios
- Advanced luminaire/driver data (power, energy, operating hours...) for analytics
- Following DiiA Specification Parts -250, -251, -252 and -253
- Fully programmable via T4T software (NFC, DALI Interface)
- Easy connection to different partner BMS systems
- Suitable for installation in emergency lighting systems
- Very high efficiency
- Non-isolated design

Dimming Functions

D4i / DALI / Touch DIM / Corridor

About OTI DX D NFC L

Innovative non-isolated linear driver with DEXAL technology.

Ready for luminaire design with wireless lighting controls / sensors

Prepared for DALI-PMD standard

Including additional features such as Driver Guard, Soft Switch Off...

Safety Certifications



EAN	Product Name	Output Power (W)	Adjustable Current Range(mA)	Min Dimming Output Current(mA)	Output Voltage (Vdc)	Efficiency (max.)	Dimensions (L×W×H)(mm)
6937186111852	OTI DX 35/220-240/400 D NFC L	35	75...400 mA	4	54...240 V	90.0%	360x30x21
6937186111876	OTI DX 75/220-240/600 D NFC L	75	120...600 mA	6	54...240 V	93.0%	360x30x21

More Technical Data





Advantages

- Control of standard white or Tunable White light acc. DALI device type 8 (DT8)
- TouchDIM Tunable White integrated for use without additional LMS
- Suitable for installation in emergency lighting systems
- Fully programmable via T4T software (NFC, DALI Interface)
- High quality of light thanks to <1% output ripple current
- Very high efficiency
- SELV safety design

Dimming Functions

DALI DT8 / Touch DIM / Corridor

About OTI DALI NFC TW L

DALI DT8 for optimal Tuneable White/Human Centric Lighting
 Perfect lighting quality thanks to low output ripple & DALI-2 dimming

Analogue and/or PWM dimming configurable via Tuner4TRONIC®

High precision of white colour temperatures, fine tuneable via software/Tuner4TRONIC®

Safety Certifications



EAN	Product Name	Output Power (W)	Adjustable Current Range(mA)	Min Dimming Output Current(mA)	Output Voltage (Vdc)	Efficiency (max.)	Dimensions (L×W×H)(mm)
6937186112316	OTi DALI 35/220-240/700 NFC TW L	35	200...700 mA	7	15...54 V	88.0%	360x30x21
6937186112330	OTi DALI 75/220-240/1A4 NFC TW L	75	400...1400 mA	14	15...54 V	90.0%	360x30x21

More Technical Data





Advantages

- Control of standard white or Tunable White light acc. DALI device type 8 (DT8)
- TouchDIM Tunable White integrated for use without additional LMS
- Suitable for installation in emergency lighting systems
- Fully programmable via T4T software (NFC, DALI Interface)
- High quality of light thanks to <1% output ripple current
- Very high efficiency
- Non-isolated design

Dimming Functions

D4i / DALI / Touch DIM / Corridor

About OTI DALI D NFC TW L

DALI DT8 for optimal Tuneable White/Human Centric Lighting
Perfect lighting quality thanks to low output ripple & DALI-2 dimming

Analogue and/or PWM dimming configurable via Tuner4TRONIC®

High precision of white colour temperatures, fine tuneable via software/Tuner4TRONIC®

Dim to Dark, Dim to Warm & Soft Switch Off integrated

Safety Certifications



EAN	Product Name	Output Power (W)	Adjustable Current Range(mA)	Min Dimming Output Current(mA)	Output Voltage (Vdc)	Efficiency (max.)	Dimensions (L×W×H)(mm)
6937186112231	OTI DALI 35/220-240/400 D NFC TW L	35	75...400 mA	4	45...240 V	90.0%	360x30x21
6937186112255	OTi DALI 75/220-240/700 D NFC TW L	75	150...700 mA	7	50...240 V	91.0%	360x30x21

More Technical Data





Advantages

- Ultra flat housing (11 mm height) for innovative luminaire designs and applications
- Advanced luminaire/driver data (power, energy, operating hours...) for analytics
- Prepared for DiiA Specification Parts -251, -252 and -253
- Constant Lumen Output (CLO)
- Flexible current setting (LEDset)
- Fully programmable via software (DALI Interface)
- Higher quality of light thanks to <1% output ripple current
- Suitable for installation in emergency lighting systems
- Very high efficiency
- Non-isolated design

Dimming Functions

DALI / Touch DIM / Corridor

About OTI DALI D LT2 UF L

DALI DT8 for optimal Tuneable White/Human Centric Lighting
 Perfect lighting quality thanks to low output ripple & DALI-2 dimming

Analogue and/or PWM dimming configurable via Tuner4TRONIC®

High precision of white colour temperatures, fine tuneable via software/Tuner4TRONIC®

Safety Certifications



EAN	Product Name	Output Power (W)	Adjustable Current Range(mA)	Min Dimming Output Current(mA)	Output Voltage (Vdc)	Efficiency (max.)	Dimensions (L×W×H)(mm)
6937186114853	OTI DALI 35/220-240/400 D LT2 UF L	35	75...400 mA	4	54...240 V	93.0%	360x30x11
6937186114877	OTI DALI 75/220-240/700 D LT2 UF L	75	150...700 mA	7	54...240 V	93.0%	360x30x11

More Technical Data





Advantages

- Control of standard white or Tunable White light acc. DALI device type 8 (DT8)
- TouchDIM Tunable White integrated for use without additional LMS
- Suitable for installation in emergency lighting systems
- Fully programmable via T4T software (NFC, DALI Interface)
- High quality of light thanks to <1% output ripple current
- Very high efficiency
- Non-isolated design

About OTI DALI D NFC F L

This is the 16mm flat non-isolated linear LED driver, with DALI dimming function, current setting by NFC programming

Dimming Functions

D4i / DALI / Touch DIM / Corridor

Safety Certifications



EAN	Product Name	Output Power (W)	Adjustable Current Range(mA)	Min Dimming Output Current(mA)	Output Voltage (Vdc)	Efficiency (max.)	Dimensions (L×W×H)(mm)
6977770436787	OTI DALI 25/220-240/300 D NFC F L	25	35...300 mA	3	54...240 V	90.5%	280x30x16
6977770436749	OTI DALI 35/220-240/400 D NFC F L	35	75...400 mA	4	54...240 V	92.0%	280x30x16
6977770436763	OTI DALI 75/220-240/500 D NFC F L	75	120...500 mA	5	54...240 V	94.0%	280x30x16

More Technical Data





Advantages

- Input voltage: 220 ~ 240Vac
- Wide Output current range
- Fully programmable DALI/NFC
- Low THD <5%@ full load
- Wide ambient temp range
- Support DALI parts -251, -252, -253
- Wide output voltage range
- CLO – Constant Lumen Output
- Very high efficiency up to 96%
- 100'000 h lifetime at max tc
- 5 years guarantee
- Suitable for Emergency Lighting
- Improved Efficiency and Power factor at partial loads
- Wide operating range adjustable via DALI or NFC*
- CLO integrated for maximizing energy savings
- Small, slim white metal housing
- One version to match multiple power applications with improved product performance and drivers per Circuit
- Braker, reducing the need of various SKUs.
- The 75W version can be used to replace 75/60/35/25W applications with equivalent or better performance.
- Same for 150W version to match 150/100/90W ones.
- Programmable Hybrid dimming 1-100%

About OTi DALI N NFC L HE

OPTOTRONIC Linear DALI, Non-isolated, High Efficiency Power Supply is the ideal choice for linear and area fixtures for office - industrial - shop lighting requiring very high conversion efficiency, extended operative window with excellent Harmonic Distortion and Power Factor in all working conditions, dimmable via DALI interface including parts 251,252,253 for monitoring Luminaire, Energy and Diagnostic data.

Dimming Functions

DALI-2

Safety Certifications



EAN	Product Name	Nominal output power (W)	Nominal Output Current (mA)	Output Voltage (Vdc)	Efficiency (max.)	Dimensions (L×W×H)(mm)
6937186150226	OTi DALI 75/220-240/550 N NFC L HE	3 ~ 75	35 ~ 550	54 ~ 240	96%	280x30x16
6937186150240	OTi DALI 150/220-240/1A0 N NFC L HE	6 ~ 150	100 ~ 1000	54 ~ 300	96%	360x30x21



OTi DALI NFC L

Advantages

- Line frequency: 0 Hz | 50 Hz | 60 Hz
- Versatile DALI window driver up to 50 W due to flexible output characteristic
- Supply voltage: 220 ~ 240 V
- Available with output current range: up to 1,400 mA
- Constant Lumen Output (CLO)
- Integrated customizable thermal management (Driver Guard)
- Fully programmable via software (DALI Interface, NFC)
- Advanced luminaire/driver data (power, energy, operating hours...) for analytics
- DALI-2 certified incl. Parts 251, 252, 253
- High-quality dimming of 1 ~ 100 % by amplitude dimming
- Higher quality of light thanks to 3% output ripple current
- Very high efficiency
- Very low standby power consumption: 0.15 W *
- Fulfill safety requirement due to overload, overtemperature, Hot Plug protection

Dimming Functions

DALI-2

Safety Certifications



EAN	Product Name	Nominal output power (W)	Nominal Output Current (mA)	Output Voltage (Vdc)	Efficiency (max.)	Dimensions (L×W×H)(mm)
6937186106582	OTi DALI 25/220-240/700 NFC L	2 ~ 28	100 ~ 700	15 ~ 54	90%	280 x 30 x 21
6937186106605	OTi DALI 35/220-240/1A0 NFC L	4 ~ 37	200 ~ 1050	15 ~ 54	91%	281 x 30 x 21
6977078993401	OTi DALI 50/220-240/1A4 NFC L	12 ~ 54	400 ~ 1400	15 ~ 54	91%	282 x 30 x 21
6937186106629	OTi DALI 80/220-240/2A1 NFC L	32 ~ 80	600 ~ 2100	20 ~ 54	91%	360 x 30 x 21
Lack of new code	OTi DALI 100/220-240/750 D NFC L	5.4 ~ 100	100 ~ 750	54 ~ 260	94%	283 x 30 x 21

More Technical Data





Advantages

- With Touch DIM and Corridor Function
- Constant Lumen Output (CLO)
- Fully programmable via software (DALI Interface)
- Flexible current setting (LEDset)
- Lifetime: up to 100,000h (@tc=65 °C)
- High efficiency
- Wide operating range
- SELV design

Dimming Functions

DALI / Touch DIM / Corridor

About IT DALI LT2 L

This is the SELV linear LED driver, with DALI dimming function, current setting by LEDset.

Safety Certifications



EAN	Product Name	Output Power (W)	Adjustable Current Range(mA)	Min Dimming Output Current(mA)	Output Voltage (Vdc)	Efficiency (max.)	Dimensions (L×W×H)(mm)
6977770430471	IT DALI 25/220-240/500 LT2 L	25	200...500 mA	5	20...54 V	92.0%	280x30x21
6977770430495	IT DALI 40/220-240/750 LT2 L	40	300...750 mA	7.5	20...54 V	92.0%	280x30x21
6977770430457	IT DALI 75/220-240/1A4 LT2 L	75	600...1400 mA	14	20...54 V	92.0%	280x30x21
6977770430518	IT DALI 100/220-240/2A1 LT2 L	100	1000...2100 mA	21	20...54 V	92.0%	360x30x21

More Technical Data





Advantages

- Power Range of 40W, 80W, 100W
- Input Voltage: 220 – 240V
- Suitable for luminaires of protection class I
- Fully programmable via software (DALI)
- DALI-2 Luminaire Data (251) & Energy Diagnostic (252-253)
- Dip switch for 8 output currents per model
- Very high efficiency of up to 95%
- High-quality dimming of 1-100 %
- Higher quality of light thanks to < 3% output ripple current
- Installation in emergency lighting systems according to IEC 61347-2-13, appendix J

Dimming Functions

DALI / Touch DIM / Corridor

About IT DALI N DS L

The IT DALI N DS L is DALI-2 constant-current and IP20 rated Linear non-isolated LED driver that operates from 220 - 240 V input with excellent power factor. Design for various lighting applications including tri-proof, linear luminaire, etc.

Safety Certifications



EAN	Product Name	Output Power (W)	Adjustable Current Range(mA)	Min Dimming Output Current(mA)	Output Voltage (Vdc)	Efficiency (max.)	Dimensions (L×W×H)(mm)
6937186168405	IT DALI 40/220-240/0A45/N DS L	40	100...450 mA	4.5	54 - 240 V	92.50%	280x30x21
6937186168429	IT DALI 80/220-240/0A55/N DS L	80	150...550 mA	5.5	90 - 240 V	94.50%	280x30x21
6937186168443	IT DALI 100/220-240/0A8/N DS L	100	300...800 mA	8	90 - 240 V	94.50%	280x30x21



Advantages

- Qualified Bluetooth mesh enabled by Silvair
- Works with HubSense®
- Supply voltage: 220 ~ 240 V
- Line frequency: 0 Hz | 50 Hz | 60 Hz
- Line voltage: 198 ~ 264 V
- Lifetime: up to 100,000 h
- Type of protection: IP20
- Integrated cable clamp for luminaire and independent installation
- Small housing for flexible luminaire designs
- Versatile QBM window driver due to flexible output characteristic
- Easy and fast output current setting via NFC
- Very high efficiency
- High-quality dimming of 1 ~ 100 % by amplitude dimming

Dimming Functions

Bluetooth NLC

Safety Certifications



EAN	Product Name	Nominal output power (W)	Nominal Output Current (mA)	Output Voltage (Vdc)	Efficiency (max.)	Dimensions (L×W×H)(mm)
6977770431621	OT Wi 15/220-240/1A0 NFC BL LP	3 ~ 18	150 ~ 1050	10 ~ 54	87%	97 x 42.5 x 22
6977770431645	OT Wi 25/220-240/700 NFC BL LP	3.6 ~ 27	180 ~ 700	10 ~ 54	88%	97 x 42.5 x 22
6977770431669	OT Wi 40/220-240/1A0 NFC BL LP	7 ~ 38	350 ~ 1050	10 ~ 54	88%	97 x 42.5 x 22
6977770431683	OT Wi 15/220-240/1A0 NFC BL LPI	3 ~ 18	150 ~ 1050	10 ~ 54	87%	150 x 42.5 x 22
6977770431706	OT Wi 25/220-240/700 NFC BL LPI	3.6 ~ 27	180 ~ 700	10 ~ 54	88%	150 x 42.5 x 22
6977770431720	OT Wi 40/220-240/1A0 NFC BL LPI	7 ~ 38	350 ~ 1050	10 ~ 54	88%	150 x 42.5 x 22

More Technical Data





Advantages

- Supply voltage: 220 ~ 240 V
- Line frequency: 0 Hz | 50 Hz | 60 Hz
- Line voltage: 198 ~ 264 V
- Lifetime: up to 100,000 h
- Type of protection: IP20
- Small housing for flexible luminaire designs
- Versatile DALI window driver due to flexible output characteristic
- Easy and fast output current setting via NFC
- Very high efficiency
- High-quality dimming of 1 ~ 100 % by amplitude dimming
- DALI-2 certified incl. Parts 251, 252, 253

- Easy to use in corridors and restrooms because of three-level corridor function
- Thanks to the Touch DIM Application, it is easy to control via the button or sensor

Dimming Functions

DALI-2

Safety Certifications



EAN	Product Name	Nominal output power (W)	Nominal Output Current (mA)	Output Voltage (Vdc)	Efficiency (max.)	Dimensions (L×W×H)(mm)
6977770437623	OTi DALI 15/220-240/1A0 NFC LP	3 ~ 18	150 ~ 1050	10 ~ 54	87.5%	97 x 42.5 x 22
6977770437784	OTi DALI 25/220-240/700 NFC LP	3.6 ~ 27	180 ~ 700	10 ~ 54	88%	97 x 42.5 x 22
6977770437845	OTi DALI 40/220-240/1A0 NFC LP	7 ~ 38	350 ~ 1050	10 ~ 54	88%	97 x 42.5 x 22
6977770437883	OTi DALI 50/220-240/1A4 NFC LP	9 ~ 55	600 ~ 1400	15 ~ 54	90%	103 x 67 x 22.5

More Technical Data





Advantages

- Supply voltage: 220 ~ 240 V
- Line frequency: 0 Hz | 50 Hz | 60 Hz
- Line voltage: 198 ~ 264 V
- According to EN 61347-1, 61347-2-13, 62384
- RI suppression: to EN 55015/CISPR 15
- Immunity according to EN 61547
- Lifetime: up to 100,000 h
- Type of protection: IP20
- Versatile DALI window driver due to flexible output
- Integrated DEXAL Bus power supply for sensors and wireless radios
- Design for wireless lighting control system and sensors
- Locking and unlocking of luminaire/driver data
- Advanced luminaire/driver data for analytics
- D4i certified incl. Parts 250, 251, 252, 253
- Easy and fast output current setting via NFC
- High-quality dimming of 1 ~ 100 % by amplitude dimming
- Suitable for emergency Installations (acc. to EN 60598-2-22 and IEC 61347-2-13,appendix J)
- Feedback of power consumption and operating hours
- Suitable for buildings according to EPBD/BREEAM/LEED

Dimming Functions

DALI-2

Safety Certifications



EAN	Product Name	Nominal output power (W)	Nominal Output Current (mA)	Output Voltage (Vdc)	Efficiency (max.)	Dimensions (L×W×H)(mm)
6977770437920	OTI DX 25/220-240/700 NFC	7 ~ 27	180 ~ 700	15 ~ 54	88%	103 x 67 x 29.5
6977770437944	OTI DX 35/220-240/1A0 NFC	14 ~ 35	350 ~ 1050	15 ~ 54	90%	103 x 67 x 29.5
6977770437968	OTI DX 50/220-240/1A4 NFC	55	600 ~ 1400	15 ~ 54	91%	110 x 75 x 25

More Technical Data





Advantages

- Supply voltage: 220 ~ 240 V
- Line frequency: 0 Hz | 50 Hz | 60 Hz
- Line voltage: 198 ~ 264 V
- Lifetime: up to 100,000 h
- Type of protection: IP20
- High quality of light thanks to low output ripple current
- Short housing for minimum distance between spotlights
- Versatile DALI window driver due to flexible output characteristic
- Easy and fast output current setting via NFC
- High-quality dimming of 1 ~ 100 % by amplitude dimming
- DALI-2 certified incl. Parts 251, 252, 253
- Touch DIM application: easy to control via pushbutton or sensor
- SELV system

Dimming Functions

DALI-2

Safety Certifications



EAN	Product Name	Nominal output power (W)	Nominal Output Current (mA)	Output Voltage (Vdc)	Efficiency (max.)	Dimensions (L×W×H)(mm)
6937186108944	OTi DALI 40/220-240/1A0 NFC T-B	2.7 ~ 40	150 ~ 1050	18 ~ 42	86%	205 x 31 x 44
6937186108982	OTi DALI 40/220-240/1A0 NFC T-G	2.7 ~ 40	150 ~ 1050	18 ~ 42	86%	205 x 31 x 49.9
6937186108968	OTi DALI 40/220-240/1A0 NFC T-W	2.7 ~ 40	150 ~ 1050	18 ~ 42	86%	205 x 31 x 44

More Technical Data





Advantages

- Driver with integrated CASAMBI lighting control system
- Supply voltage: 220 ~ 240 V
- Line frequency: 0 Hz | 50 Hz | 60 Hz
- Line voltage: 198 ~ 264 V
- Lifetime: up to 100,000 h
- Type of protection: IP20
- High quality of light thanks to low output ripple current
- Short housing for minimum distance between spotlights
- Versatile CASAMBI window driver due to flexible output characteristic

- Easy and fast output current setting via NFC
- High-quality dimming of 1 ~ 100 % by amplitude dimming
- SELV system

Dimming Functions

Bluetooth Casambi

Safety Certifications



EAN	Product Name	Nominal output power (W)	Nominal Output Current (mA)	Output Voltage (Vdc)	Efficiency (max.)	Dimensions (L×W×H)(mm)
6977770437708	OT Wi 40/220-240/1A0 NFC CA T-B	2.7 ~ 40	150 ~ 1050	18 ~ 42	86%	195 x 31 x 44
6977770437722	OT Wi 40/220-240/1A0 NFC CA T-W	2.7 ~ 40	150 ~ 1050	18 ~ 42	86%	195 x 31 x 44
6977770438286	OT Wi 40/220-240/1A0 NFC CA T-G	2.7 ~ 40	150 ~ 1050	18 ~ 42	86%	195 x 31 x 49.9

More Technical Data





Advantages

- Easy current setting via DIP switches
- Compact housing
- DALI2 interface for dimming
- TouchDIM/Corridor Function available
- Suitable for Emergency Lighting
- Optional cable clamps for independent installation
- Through-looping of mains and DALI lines possible with cable clamp TL

Dimming Functions

DALI / TouchDIM / Corridor Function

About IT DALI CS

New very compact and current select by DIP switch DALI driver for indoor commercial installations.

Safety Certifications



EAN	Product Name	Output power (W)	Adjustable Current Range(mA)	Min Dimming Output Current(mA)	Output Voltage (Vdc)	Efficiency (max.)	Dimensions (L×W×H)(mm)
6977078993999	IT DALI 15/220-240/350 CS	15	100/120/150/180/200/250/300/350	3.5	9...42 V	85.0%	130x30x22.5
6977078994019	IT DALI 20/220-240/500 CS	20	150/200/250/300/350/400/450/500	5	15...42 V	87.0%	97x43x29.5
6977078994033	IT DALI 30/220-240/700 CS	30	350/400/450/500/550/600/650/700	7	15...42 V	88.0%	97x43x29.5
6977078994057	IT DALI 42/220-240/1050 CS	42	700/750/800/850/900/950/1000/1050	10.5	15...42 V	89.0%	97x43x29.5
6977078994071	IT DALI 60/220-240/1A4 CS	60	700/800/900/1000/1050/1200/1300/1400	14	27...54 V	91.0%	103x67x29.5

More Technical Data





Advantages

- Hi efficiency up to 92.5%
- Easy current setting via DIP switches
- Compact housing
- DALI2 interface for dimming
- TouchDIM/Corridor Function available
- Suitable for Emergency Lighting
- Optional cable clamps for independent installation
- Through-looping of mains and DALI lines possible with cable clamp TL

About IT DALI CS HE

New very compact and highly efficient DALI driver for indoor commercial installations.

Dimming Functions

DALI / TouchDIM / Corridor Function

Safety Certifications



EAN	Product Name	Output power (W)	Adjustable Current Range(mA)	Min Dimming Output Current(mA)	Output Voltage (Vdc)	Efficiency (max.)	Dimensions (L×W×H)(mm)
6937186168467	IT DALI 42/220-240/1050 CS HE	42	600-1050	10	30-42	92.5%	97x43x29.5

More Technical Data





Advantages

- Extra terminal for connecting 2 LED modules with different CCT
- Extra switch for selecting between the 2 LED modules
- Hi efficiency up to 91%
- Easy current setting via DIP switches
- Compact housing
- DALI2 interface for dimming
- TouchDIM/Corridor Function available
- Suitable for Emergency Lighting
- Optional cable clamps for independent installation
- Through-looping of mains and DALI lines possible with cable clamp TL

About IT DALI DS C CCT

New very compact and highly efficient DALI driver for indoor commercial installations, offering extra flexibility at the installation site with 2 LED modules and a switch to select between them.

Dimming Functions

DALI / TouchDIM / Corridor Function

Safety Certifications



EAN	Product Name	Output power (W)	Adjustable Current Range(mA)	Min Dimming Output Current(mA)	Output Voltage (Vdc)	Efficiency (max.)	Dimensions (L×W×H)(mm)
6937186183675	IT DALI 42/220-240/1050 DS C CCT	42	550-1050	10	30-40	91.0%	97x43x29.5



Advantages

- DALI-2 certified
- 2 independent channels
- Lamp Failure detection
- CLASS II independent housing
- Smart Power Supply
- SELV, Vout: 24,2 V
- Ta range -20 ~ +50°C
- Very low min dimming level: 1%
- Mains voltage: 220 ~ 240 Vac
- 50'000 h lifetime at max tc
- 5 years guarantee
- IP20 independent housing
- Touch-DIM and corridor compatibility
- Overload/Over temperature and Short circuit protection
- Dimmable via DALI, 0 ~ 10V, Touch-Dim or corridor
- 24.2 V nominal output + 1.5 V adjustable
- CC mode for 18 ~ 24 V output option

About IT D0 24V 1CH - 2CH

Constant voltage indoor dimmable LED drivers, independent housing for installation freedom on any surfaces, Available in 1CH or 2CH allows to dim 24V constant voltage LED modules via DALI, 0-10V or Push button also in tunable white Nominal output voltage is 24,2 V with +1,5V adjustable via potentiometer CC mode available for output from 18 to 24 Vdc

Dimming Functions

DALI-2 / 0 ~ 10V / Touch Dim

Safety Certifications



More Technical Data





EAN	Product Name	Nominal output power (W)	Nominal Output Current (mA)	Output Voltage (Vdc)	Efficiency (max.)	Dimensions (L×W×H)(mm)
6937186142214	IT D0 36/220-240/24 C UNV1	36	not relevant	24.2	85%	240 x 60 x 25
6937186142238	IT D0 75/220-240/24 C UNV1	75	not relevant	24.2	88%	275 x 60 x 25
6937186142252	IT D0 150/220-240/24 C UNV1	150	not relevant	24.2	90%	320 x 60 x 30
6937186142276	IT D0 200/220-240/24 C UNV1	200	not relevant	24.2	92%	320 x 60 x 30
6937186142290	IT D0 36/220-240/24/2C C TW UNV1	36	not relevant	24.2	85%	240 x 60 x 25
6937186142313	IT D0 75/220-240/24/2C C TW UNV1	75	not relevant	24.2	88%	275 x 60 x 25
6937186142337	IT D0 150/220-240/24/2C C TW UNV1	150	not relevant	24.2	90%	320 x 60 x 30
6937186142351	IT D0 200/220-240/24/2C C TW UNV1	200	not relevant	24.2	92%	320 x 60 x 30



Advantages

- Dimmable via Touch DIM
- Dimming range: 0.1 ~ 100 %
- Line frequency: 0 Hz | 50 Hz | 60 Hz
- IP rating: IP20
- Suitable for use in luminaires of protection class I and II
- Intelligent power matching thanks to Smart power supply
- 50 m load cable with EMI validated
- Form factor for mounting on the cove or in luminaires
- No stroboscopic effect thanks to patented high PWM frequency management (> 2 kHz)
- Suitable for installation in emergency lighting systems according to EN 60598-2-22
- DALI message detection "LED Module failure"
- DALI part 251-252-253

About OTi DALI 48V 1CH

Constant voltage indoor dimmable LED drivers, independent housing for installation freedom on any surfaces, Allows to dim 48V constant voltage LED modules via DALI.

Dimming Functions

DALI-2

Safety Certifications



EAN	Product Name	Nominal output power (W)	Nominal Output Current (mA)	Output Voltage (Vdc)	Efficiency (max.)	Dimensions (L×W×H)(mm)
6977770432499	OTi DALI 160/220-240/48 1CH	0 ~ 160	not relevant	48.2	95%	300x50x35
6977770432451	OTi DALI 50/220-240/48 1CH	0 ~ 50	not relevant	48.2	92%	346x32x22
6977770432475	OTi DALI 80/220-240/48 1CH	0 ~ 80	not relevant	48.2	93%	346x32x22

More Technical Data





Advantages

- 50, 80, 160 W / 24 V LED drivers, multichannel output
- Lighting wireless Bluetooth Mesh network
- Different light profiles to customize the application
- Power supply and control of white, Tunable White, Tunable Warm White, Dim to Warm
- Power supply and control of RGB and RGBW LED modules (only 50 W and 80 W)
- Driver with integrated CASAMBI lighting control system
- Slim form factor for installation in light boxes
- No stroboscopic effect thanks to patented high PWM frequency management (> 2 kHz).

About OT Wi 24V CA

Optotronic Wireless Intelligent Constant Voltage drivers with CASAMBI control, up to 4 output channel for different LED module control (White, monochrome, TW, RGBW). Independent housing for installation freedom on any surfaces.

Dimming Functions

Bluetooth Casambi

Safety Certifications



EAN	Product Name	Nominal output power (W)	Nominal Output Current (mA)	Output Voltage (Vdc)	Efficiency (max.)	Dimensions (L×W×H)(mm)
6937186115195	OT WI 50/220-240/24 4CH CA	50	75 ~ 400	24.2	92%	
6937186115171	OT WI 80/220-240/24 4CH CA	80	125 ~ 550	24.2	93%	
6937186115218	OT WI 160/220-240/24 2CH CA	160	100 ~ 750	24.2	93%	

More Technical Data





OTi DALI 24V

Advantages

- Dimmable via Touch DIM
- Available as single-channel or multi-channel with DT6 and DT8 in one device
- Dimming range: 0.1 ~ 100 % (for 50-80-160W) or 1 ~ 100 % (for 30W)
- Line frequency: 0 Hz | 50 Hz | 60 Hz
- Intelligent power matching thanks to Smart power supply
- Form factor for mounting on the cove or in luminaires
- No stroboscopic effect thanks to patented high PWM frequency management (2 kHz)
- IP rating: IP20
- Suitable for installation in emergency lighting systems according to EN 60598-2-22

Dimming Functions

DALI-2

Safety Certifications



EAN	Product Name	Nominal output power (W)	Nominal Output Current (mA)	Output Voltage (Vdc)	Efficiency (max.)	Dimensions (L×W×H)(mm)
6937186115119	OTi DALI 30/220-240/24 1CH	30	not relevant	24.2	88%	103 x 67 x 29.5
6977770431881	OTi DALI 50/220-240/24 1CH G3	50	not relevant	24.2	92%	346 x 32 x 22
6977770431966	OTi DALI 50/220-240/24 4CH DT6/8 G3	50	not relevant	24.2	92%	346 x 32 x 22
6977770431867	OTi DALI 80/220-240/24 1CH G3	80	not relevant	24.2	93%	346 x 32 x 22
6977770431942	OTi DALI 80/220-240/24 4CH DT6/8 G3	80	not relevant	24.2	93%	346 x 32 x 22
6977770431904	OTi DALI 160/220-240/24 1CH G3	160	not relevant	24.2	93%	300 x 50 x 35
6977770431928	OTi DALI 160/220-240/ 24 2CH DT6/8 G3	160	not relevant	24.2	93%	300 x 50 x 35

More Technical Data





Advantages

- Wireless 5-channel dimmer, with output voltage of 12, 24 and 48 V
- Control of LED modules up to 12 A
- Wireless module based on Bluetooth Low Energy
- Control of white, Tunable White, RGB, RGBW and RGBTW LED modules
- Independent housing for ceiling installation
- Support of systems based on CASAMBI lighting control solutions
- Minimal installation effort
- Dry contacts for optional connection to any commercial pushbutton

Dimming Functions

Bluetooth Casambi

Safety Certifications



EAN	Product Name	Nominal output power (W)	Nominal Output Current (mA)	Output Voltage (Vdc)	Efficiency (max.)	Dimensions (L×W×H)(mm)
6937186115232	OT Wi DIM 5CH CA	576	not relevant	12 ~ 48	98%	186 x 29 x 22

More Technical Data





Advantages

- Cable clamp housing for independent mounting
- Dimmable on the leading edge and trailing edge
- Housing for independent installation
- Compatible with the most common leading-edge and trailing-edge phase dimmers
- Flexible current setting (DIPswitch – 2 to 4 currents)
- Flicker-free dimming
- Higher quality of light thanks to 5% output ripple current
- Housing from 80% recycled plastic

Dimming Functions

Phase-Cut

Safety Certifications



EAN	Product Name	Nominal output power (W)	Nominal Output Current (mA)	Output Voltage (Vdc)	Efficiency (max.)	Dimensions (L×W×H)(mm)
6937186111395	OT FIT 7/220-240/180 CS PC	2.7 ~ 7.2	100 ~ 180	27 ~ 40	>79%	130 x 30 x 22.2
6937186111296	OT FIT 14/220-240/350 CS PC	5.4 ~ 14	200 ~ 350	27 ~ 40	>79%	130 x 30 x 22.2
6937186111319	OT FIT 18/220-240/450 CS PC	18	225 ~ 450	27 ~ 40	>82%	95 x 50 x 22
6937186111357	OT FIT 30/220-240/700 CS PC	13.5 ~ 28	500 ~ 700	27 ~ 40	84%	95 x 53 x 30
6937186144355	OT FIT 40/220-240/1A0 CS PC	21.6 ~ 42	800 ~ 1050	27 ~ 40	85%	108 x 67 x 22

More Technical Data





Advantages

- Easy current setting via DIP switches
- Compact housing
- 0-10V dimming
- 1-100% dimming range, can dim to off
- High quality light due to low ripple <3%
- Independent version for quick and easy use, without any accessories and mounting.

About IT DIM CS I

New very compact and current select by DIP switch 0-10V dimming driver for indoor commercial installations.

Dimming Functions

0-10V dimming / Dim to OFF

Safety Certifications



EAN	Product Name	Output power (W)	Adjustable Current Range(mA)	Min Dimming Output Current(mA)	Output Voltage (Vdc)	Efficiency (max.)	Dimensions (L×W×H)(mm)
6937186115652	IT DIM 12/220-240/300 CS I	12	70/120/150/180/200/230/250/300	3	23...42 V	83.0%	130x30x20
6937186115676	IT DIM 20/220-240/500 CS I	20	150/200/250/300/350/400/450/500	5	23...42 V	84.0%	150x43x28
6937186115690	IT DIM 40/220-240/1A0 CS I	40	600/700/750/800/850/900/950/1050	10.5	23...42 V	87.0%	150x43x28

More Technical Data





Advantages

- Intelligent DMX dimmer, with output voltage of 12, 24 and 48 V
- Control of LED modules up to 12 A
- RDM functionality for total control in application
- Control of white, Tunable White, RGB, RGBW and RGBTW LED modules
- Independent housing for ceiling installation
- Minimal installation effort
- Selectable PWM frequency

Dimming Functions

DMX

Safety Certifications



EAN	Product Name	Nominal output power (W)	Nominal Output Current (mA)	Output Voltage (Vdc)	Efficiency (max.)	Dimensions (L×W×H)(mm)
6977078993838	OT DMX DIM 5CH	576	not relevant	12 ~ 48	>95%	172 x 42 x 20

More Technical Data





Advantages

- IP rating: IP20
- High efficiency
- Very stable output power
- High electrical reversible short-circuit, overload, overtemperature protection
- Independent installation possible
- Suitable for luminaires of protection classes I and II
- 24 V constant output voltage SELV
- Wide Ta range -20 ~ +50
- Lifetime: up to 50,000 h(temperature at max.tc)
- Dimming range: 3 ~ 100 % luminous flux
- Recommended to Use Trailing Edge dimmer

About OT PC 24V

Optotronic Constant Voltage drivers with phase-cut dimming control port. Independent housing for installation freedom on any surfaces.

Dimming Functions

Phase-Cut

Safety Certifications



EAN	Product Name	Nominal output power (W)	Nominal Output Current (mA)	Output Voltage (Vdc)	Efficiency (max.)	Dimensions (L×W×H)(mm)
6977770438460	OT FIT 36/220-240/24 PC	2.42 ~ 36	not relevant	24.2	85%	103 x 67 x 29.5
6977770438484	OT FIT 75/220-240/24 PC	24.2 ~ 75	not relevant	24.2	92%	110 x 75 x 30
6977770438569	OT FIT 150/220-240/24 PC	60.5 ~ 150	not relevant	24.2	92%	170 x 76 x 30

More Technical Data





IT D0P 12-48V

Advantages

- 12-48 V SELV output constant voltage range
- Output power up to 480 W
- 10A handling allowed on one channel
- Overload/Over temperature/Short circuit protection, automatic, reversible 50.000h at tc max
- 10% cumulated failure
- Screw terminals and integrated cable clamps
- Suitable for Class I & II luminaires
- Wide ta range -25 ~ +50°C
- NFC programmability
- Touch DIM compatibility
- 5 years guarantee
- High power handling on 4 channels
- Multi-dim protocols: DALI-2, 0/1-10V, Resistor, PWM
1 to 4 channel output with DALI-2 certification
- DALI-2 certified incl. Parts 251, 252, 253
- DT6 and DT8 operations
- TW in 0-10V compatible

About IT D0P 12-48V

- Multi-dimming DC-DC device, in system with inventronics constant voltage LED drivers with ON/OFF functions can deliver dimming operations up to 480 W from 4 output channels
- 21 different dimming options easily programmable with NFC
- Box programming available for fast batch programming
- Independent housing with endcaps allows maximum installation freedom
- Compatible with touch timing and double touch dimming in TW for dimmable solutions without DALI interfaces

Dimming Functions

DALI-2 / 0(1) ~ 10V / PWM

Safety Certifications



EAN	Product Name	Nominal output power (W)	Output Voltage (Vdc)	Efficiency (max.)	Dimensions (L×W×H)(mm)
6937186134127	IT D0P 480/12-48V/4C NFC L C RGBW	480	12 ~ 48	/	195 x 51 x 20

More Technical Data





Advantages

- Universal input 100...277 Vac
- 24,2 V output + 1,5 V adjustable
- 2 independent output channels in DALI-2, also with DT8 TW
- High modular PWM output frequency of 20...6 kHz
- Wide Ta up to -30...+60°C
- IP66 and IP67

Dimming Functions

Multi protocol dimming: DALI-2 / 1-10V / 0-10V / PWM

Dimming range 1...100%

About IT D0P 24V 2CH P67

IT D0P 24V is a constant voltage LED driver family capable of dimming in multi protocol: DALI-2, 0-10V, 1-10V, PWM.

Its wide range input of 100...277 Vac and independent design suitable for CLASS I and II luminaire make the products particularly flexible in any installations and any geographical locations thanks to comprehensive approbation list.

Safety Certifications



EAN	Product Name	Output power (W)	Adjustable Current Range(mA)	Min Dimming Output Current(mA)	Output Voltage (Vdc)	Efficiency (max.)	Dimensions (L×W×H)(mm)
6937186176721	IT D0P 36/100-277/24/2C P67 G	36	N/A	N/A	24.2	86%	211 x 60 x 35
6937186176745	IT D0P 75/100-277/24/2C P67 G	75	N/A	N/A	24.2	90%	206 x 60 x 43
6937186176769	IT D0P 100/100-277/24/2C P67 G	96	N/A	N/A	24.2	90%	216 x 60 x 43
6937186176783	IT D0P 150/100-277/24/2C P67 G	150	N/A	N/A	24.2	92%	230 x 60 x 43
6937186176806	IT D0P 250/100-277/24/2C P67 G	250	N/A	N/A	24.2	92%	265 x 60 x 43
6937186176820	IT D0P 350/100-277/24/2C P67 G	350	N/A	N/A	24.2	92%	265 x 92 x 53



Advantages

- Flexible current setting via NFC
- Constant Lumen Output (CLO)
- High quality of light thanks to <1% output ripple current
- Lifetime: up to 100,000h (@tc=65 °C)
- Wide operating range
- Suitable for emergency lighting systems
- SELV safety design

About OT FIT NFC L

This is the SELV linear LED driver, with NFC programmable function, current setting, and suitable for emergency lighting.

Dimming Functions

ON/OFF

Safety Certifications



EAN	Product Name	Output Power (W)	Adjustable Current Range(mA)	Min Dimming Output Current(mA)	Output Voltage (Vdc)	Efficiency (max.)	Dimensions (L×W×H)(mm)
6937186114730	OT FIT 25/220-240/500 NFC L	25	170...500 mA	n/a	20-51	87.0%	280x30x21
6937186114754	OT FIT 35/220-240/700 NFC L	35	250...700 mA	n/a	20-51	86.0%	280x30x21
6937186114778	OT FIT 55/220-240/1A0 NFC L	55	400...1050 mA	n/a	20-51	90.0%	280x30x21
6937186114792	OT FIT 75/220-240/1A4 NFC L	75	600...1400 mA	n/a	20-51	91.0%	280x30x21

More Technical Data





Advantages

- Flexible and current setting via NFC
- High quality of light thanks to < 1% output ripple current
- Lifetime: up to 100,000h (@tc=65 °C)
- Very high efficiency
- Wide operating range
- Suitable for emergency lighting systems
- Non-isolated design

About OT FIT D NFC L

This is the non-isolated linear LED driver, with NFC programmable function, current setting, and suitable for emergency lighting.

Dimming Functions

ON/OFF

Safety Certifications



EAN	Product Name	Output Power (W)	Adjustable Current Range(mA)	Min Dimming Output Current(mA)	Output Voltage (Vdc)	Efficiency (max.)	Dimensions (L×W×H)(mm)
6937186100405	OT FIT 35/220-240/350 D NFC L	35	75...350 mA	n/a	54...216 V	93.0%	280x30x21
6937186100429	OT FIT 75/220-240/550 D NFC L	75	125...550 mA	n/a	54...216 V	94.0%	280x30x21
6937186100443	OT FIT 100/220-240/750 D NFC L	100	250...750 mA	n/a	54...216 V	95.0%	280x30x21

More Technical Data





OT FIT NFC G2



Advantages

- Flexible current setting via NFC
- Higher quality of light thanks to low output ripple current
- Small housing for flexible luminaire designs
- High efficiency
- Wide output voltage range 15-50V
- Suitable for Emergency Lighting
- Optional cable clamps for independent installation
- Through-looping of mains and DALI lines possible with cable clamp TL

About OT FIT NFC G2

New compact and current select by NFC programming on/off driver for indoor commercial installations.

Dimming Functions

ON/OFF

Safety Certifications



EAN	Product Name	Output Power (W)	Adjustable Current Range(mA)	Min Dimming Output Current(mA)	Output Voltage (Vdc)	Efficiency (max.)	Dimensions (L×W×H)(mm)
6977078993463	OT FIT 15/220-240/350 NFC G2	15	150...350 mA	n/a	15...50 V	89.0%	97x43x29.5
6977078993487	OT FIT 25/220-240/700 NFC G2	25	300...700 mA	n/a	15...50 V	89.0%	97x43x29.5
6977078993500	OT FIT 40/220-240/1A0 NFC G2	40	500...1050 mA	n/a	15...50 V	90.0%	97x43x29.5

More Technical Data





Advantages

- Supply voltage: 220 ~ 240 V
- Line frequency: 50 Hz | 60 Hz
- Line voltage: 198 ~ 264 V
- According to EN 61347-1, 61347-2-13, 62384
- RI suppression according to CISPR 15
- Line harmonics according to IEC 61000-3-2
- Immunity according to IEC 61547
- Small housing for flexible luminaire designs
- Higher quality of light thanks to 3% output ripple current
- Operating temperature: up to 60 °C
- User flexibility with four different output currents from one driver
- Flexible current selection via DIP switch

- Flexible current selection via DIP switch
- Reversible overtemperature, overload, short-circuit and open-circuit protection
- High efficiency (up to 92%)

Dimming Functions

N/A

Safety Certifications



EAN	Product Name	Nominal output power (W)	Nominal Output Current (mA)	Output Voltage (Vdc)	Efficiency (max.)	Dimensions (L×W×H)(mm)
6937186134028	IT FIT 8/220-240/180 CS I MINI	30-40	90/120/150/180	2.7...7.2	89%	104 x 30 x 26
6937186134042	IT FIT 15/220-240/350 CS I MINI	30-40	200/250/300/350	6...14	90%	104 x 30 x 26
6937186133922	IT FIT 8/220-240/180 CS MINI	30-40	90/120/150/180	2.7...7.2	89%	80 x 30 x 20
6937186133946	IT FIT 15/220-240/350 CS MINI	30-40	200/250/300/350	6...14	90%	80 x 30 x 20
6937186133960	IT FIT 20/220-240/500 CS MINI	30-40	400/450/475/500	12...20	92%	80 x 35.5 x 20.3
6937186133984	IT FIT 30/220-240/700 CS MINI	30-40	550/600/650/700	16.5...28	92%	80 x 35.5 x 20.3
6937186134004	IT FIT 38/220-240/900 CS MINI	30-40	800/850/875/900	24...36	92%	80 x 35.5 x 20.3

More Technical Data





IT FIT CS ROUND

Advantages

- Higher quality of light thanks to < 3% output ripple current
- Operating temperature: up to 60 °C
- Flexible current selection via DIP switch
- High efficiency (up to 92%)

About IT FIT CS ROUND

- Round shape and miniturization
- High efficiency, up to 92%
- Ta max 60°C
- DIP switches for 2 output currents per model
- High quality of light with low ripple
- Up to 100khrs lifetime @ Tcmax - 10°C
- 5 years guarantee

Dimming Functions

N/A

Safety Certifications



EAN	Product Name	Output power (W)	Adjustable Current Range(mA)	Min Dimming Output Current(mA)	Output Voltage (Vdc)	Efficiency (max.)	Dimensions (L×W×H)(mm)
6937186134066	IT FIT 15/220-240/350 CS R	7.5-14W	250/350mA	N.A	30-40	90%	48.5x24
6937186134080	IT FIT 20/220-240/500 CS R	12-20W	400/500mA	N.A	30-40	92%	60x24
6937186134103	IT FIT 30/220-240/700 CS R	18-28W	600/700mA	N.A	30-40	92%	60x24

More Technical Data





Advantages

- Easy current setting via DIP switches
- High quality light due to low ripple <3%
- Compact housing
- Built-in version can also use optional cable clamps for independent installation and through-looping
- Independent version for quick and easy use without any accessories and mounting.

About IT FIT CS (I)

New very compact and current select by DIP switch on/off driver for indoor commercial installations.

Dimming Functions

ON/OFF

Safety Certifications



EAN	Product Name	Output power (W)	Adjustable Current Range(mA)	Min Dimming Output Current(mA)	Output Voltage (Vdc)	Efficiency (max.)	Dimensions (L×W×H)(mm)
6977078991759	IT FIT 20/220-240/500 CS	20	150/200/250/300/350/400/450/500	N.A	23...42 V	89.0%	97x43x29.5
6977078991773	IT FIT 30/220-240/700 CS	30	350/400/450/500/550/600/650/700	N.A	23...42 V	90.0%	97x43x29.5
6977078991797	IT FIT 40/220-240/1A0 CS	40	700/750/800/850/900/950/1000/1050	N.A	23...42 V	91.0%	97x43x29.5
6977770437180	IT FIT 20/220-240/500 CS I	20	150/200/250/300/350/400/450/500	N.A	23...42 V	89.0%	145x43x28
6977770437227	IT FIT 30/220-240/700 CS I	30	350/400/450/500/550/600/650/700	N.A	23...42 V	90.0%	145x43x28
6977770437340	IT FIT 40/220-240/1A0 CS I	40	700/750/800/850/900/950/1000/1050	N.A	23...42 V	91.0%	145x43x28

More Technical Data





Advantages

- Hi efficiency up to 93%
- Easy current setting via DIP switches
- High quality light due to low ripple <3%
- Compact housing
- Built-in version can also use optional cable clamps for independent installation and through-looping
- Independent version for quick and easy use, without any accessories and mounting.

About IT FIT CS (I) HE

New very compact and highly efficient on/off driver for indoor commercial installations.

Dimming Functions

ON/OFF

Safety Certifications



EAN	Product Name	Output power (W)	Adjustable Current Range(mA)	Min Dimming Output Current(mA)	Output Voltage (Vdc)	Efficiency (max.)	Dimensions (L×W×H)(mm)
6937186110060	IT FIT 20/220-240/500 CS HE	20	250-500	N.A	23-40	93.0%	97x43x29.5
6937186110084	IT FIT 30/220-240/700 CS HE	28	550-700	N.A	23-40	93.0%	97x43x29.5
6937186110121	IT FIT 40/220-240/1A0 CS HE	42	800-1050	N.A	23-40	93.0%	97x43x29.5
6937186110145	IT FIT 20/220-240/500 CS I HE	20	250-500	N.A	23-40	93.0%	145x43x28
6937186110169	IT FIT 30/220-240/700 CS I HE	28	550-700	N.A	23-40	93.0%	145x43x28
6937186110183	IT FIT 40/220-240/1A0 CS I HE	42	800-1050	N.A	23-40	93.0%	145x43x28

More Technical Data





IT FIT DS C LP

Advantages

- 16 output currents from 300-1050mA
- Easy current setting via DIP switches
- Compact housing
- Low profile desing, only 22mm height.
- Optional cable clamps for independent installation

About IT FIT DS C LP

New very compact on/off driver with 16 output currents for indoor commercial installations.

Dimming Functions

ON/OFF

Safety Certifications



EAN	Product Name	Output power (W)	Adjustable Current Range(mA)	Min Dimming Output Current(mA)	Output Voltage (Vdc)	Efficiency (max.)	Dimensions (L×W×H)(mm)
6937186199485	IT FIT 44/220-240/1A05 DS CLP	44	300-1050	N/A	23-42	90.0%	97x43x22



Advantages

- AC Supply Voltage 220 ~ 240 Vac
- Line frequency: 50 Hz | 60 Hz
- Line voltage: 198 ~ 264 V
- SELV LED driver in track adaptor
- Lifetime 50 000 h at tc max
- Dip-switches for easy output current selection
- Low THD 10% @ full load
- Low LF-ripple 5%
- Compact size for miniaturized track light luminaire design
- High light quality due to low ripple current
- Three colors available: White, Grey, Black

- High flexibility due to eight different output currents
- High efficiency (up to 90%)

Dimming Functions

N/A

Safety Certifications



EAN	Product Name	Nominal output power (W)	Nominal Output Current (mA)	Output Voltage (Vdc)	Efficiency (max.)	Dimensions (L×W×H)(mm)
6977770437241	IT FIT 30/220-240/700 CS T-B	6.75 ~ 29.4	250 ~ 700	27 ~ 42	90%	167 x 33 x 46
6977770437265	IT FIT 30/220-240/700 CS T-G	6.75 ~ 29.4	250 ~ 700	27 ~ 42	90%	167 x 33 x 46
6977770437289	IT FIT 30/220-240/700 CS T-W	6.75 ~ 29.4	250 ~ 700	27 ~ 42	90%	167 x 33 x 46
6977770437364	IT FIT 40/220-240/1A0 CS T-B	18.9 ~ 44.1	700 ~ 1050	27 ~ 42	90%	167 x 33 x 46
6977770437388	IT FIT 40/220-240/1A0 CS T-G	18.9 ~ 44.1	700 ~ 1050	27 ~ 42	90%	167 x 33 x 46
6977770437401	IT FIT 40/220-240/1A0 CS T-W	18.9 ~ 44.1	700 ~ 1050	27 ~ 42	90%	167 x 33 x 46

More Technical Data





Advantages

- Short housing to 140mm length
- High efficiency, up to 93%
- SELV LED drivers up to 42W
- Dip switch for 4 output currents per model
- Short dimension: 140mm length
- High efficiency, up to 93%
- Compatible with a wide range of popular tracks
- High quality of light with low ripple
- Available with Black, White and Grey housing

Dimming Functions

N/A

Safety Certifications



More Technical Data



EAN	Product Name	Output power (W)	Adjustable Current Range(mA)	Min Dimming Output Current(mA)	Output Voltage (Vdc)	Efficiency (max.)	Dimensions (L×W×H)(mm)
6937186161352	IT FIT 14/220-240/350 CS T-B HE	6-14W	200/250/300/350mA	N.A.	30-40V	92.0%	140x33x46.5
6937186161376	IT FIT 14/220-240/350 CS T-W HE	6-14W	200/250/300/350mA	N.A.	30-40V	92.0%	140x33x46.5
6937186161390	IT FIT 14/220-240/350 CS T-G HE	6-14W	200/250/300/350mA	N.A.	30-40V	92.0%	140x33x46.5
6937186161413	IT FIT 22/220-240/550 CS T-B HE	12-22W	400/450/500/550mA	N.A.	30-40V	92.5%	140x33x46.5
6937186161437	IT FIT 22/220-240/550 CS T-W HE	12-22W	400/450/500/550mA	N.A.	30-40V	92.5%	140x33x46.5
6937186161451	IT FIT 22/220-240/550 CS T-G HE	12-22W	400/450/500/550mA	N.A.	30-40V	92.5%	140x33x46.5
6937186161475	IT FIT 30/220-240/750 CS T-B HE	18-30W	600/650/700/750mA	N.A.	30-40V	92.5%	140x33x46.5
6937186161499	IT FIT 30/220-240/750 CS T-W HE	18-30W	600/650/700/750mA	N.A.	30-40V	92.5%	140x33x46.5
6937186161512	IT FIT 30/220-240/750 CS T-G HE	18-30W	600/650/700/750mA	N.A.	30-40V	92.5%	140x33x46.5
6937186161536	IT FIT 42/220-240/1A0 CS T-B HE	24-42W	800/900/950/1050mA	N.A.	30-40V	92.5%	140x33x46.5
6937186161550	IT FIT 42/220-240/1A0 CS T-W HE	24-42W	800/900/950/1050mA	N.A.	30-40V	92.5%	140x33x46.5
6937186161574	IT FIT 42/220-240/1A0 CS T-G HE	24-42W	800/900/950/1050mA	N.A.	30-40V	92.5%	140x33x46.5





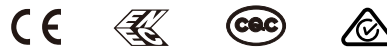
Advantages

- SELV LED drivers up to 30W
- Dip switch for 4 output currents per model
- Dimensions: ~230mm length
- Available with Black, White and Grey housing
- High quality of light with low ripple
- High efficiency, up to 91.5%
- Compatible with a wide range of popular tracks
- Short dimension to design elegant luminaire
- Invisible when installed in track system
- Future proof & flexible offer with 4 currents for selection

Dimming Functions

N/A

Safety Certifications



EAN	Product Name	Nominal output power (W)	Nominal Output Current (mA)	Output Voltage (Vdc)	Efficiency (max.)	Dimensions (L×W×H)(mm)
6977770438798	IT FIT 14/220-240/350 CS TI-B	6 ~ 14	200 ~ 350	30 ~ 40	91.5%	230 x 29.6 x 32.1
6977770438811	IT FIT 14/220-240/350 CS TI-W	6 ~ 14	201 ~ 350	30 ~ 40	91.5%	230 x 29.6 x 32.1
6977770438835	IT FIT 14/220-240/350 CS TI-G	6 ~ 14	202 ~ 350	30 ~ 40	91.5%	230 x 29.6 x 32.1
6977770438859	IT FIT 22/220-240/550 CS TI-B	12 ~ 22	400 ~ 550	30 ~ 40	91%	230 x 29.6 x 32.1
6977770438873	IT FIT 22/220-240/550 CS TI-W	12 ~ 22	401 ~ 550	30 ~ 40	91%	230 x 29.6 x 32.1
6977770438897	IT FIT 22/220-240/550 CS TI-G	12 ~ 22	402 ~ 550	30 ~ 40	91%	230 x 29.6 x 32.1
6977770438910	IT FIT 30/220-240/750 CS TI-B	18 ~ 30	600 ~ 750	30 ~ 40	90.5%	230 x 29.6 x 32.1
6977770438934	IT FIT 30/220-240/750 CS TI-W	18 ~ 30	601 ~ 750	30 ~ 40	90.5%	230 x 29.6 x 32.1
6977770438958	IT FIT 30/220-240/750 CS TI-G	18 ~ 30	602 ~ 750	30 ~ 40	90.5%	230 x 29.6 x 32.1

More Technical Data





Advantages

- Extra terminal for connecting 2 LED modules with different CCT
- Extra switch for selecting between the 2 LED modules
- Multiple output currents
- Easy current setting via DIP switches
- Compact housing
- Integrated cable clamps for independent installation

About EM FIT DS C CCT

New very compact on/off driver with CCT selection for indoor commercial installations.

Dimming Functions

ON/OFF

Safety Certifications



EAN	Product Name	Output power (W)	Adjustable Current Range(mA)	Min Dimming Output Current(mA)	Output Voltage (Vdc)	Efficiency (max.)	Dimensions (L×W×H)(mm)
6937186196569	EM FIT 34/220-240/0A85 DS C CCT	34	550-850	N/A	30-40	90.0%	145 x 43 x 28
6937186196583	EM FIT 44/220-240/1A0 DS C CCT	44	450-1050	N/A	23-42	90.0%	145 x 43 x 28



Advantages

- Supply voltage: 220 ~ 240 V
- Fixed output (no dimming)
- Line frequency: 50 Hz | 60 Hz
- Line voltage: 198 ~ 264 V
- According to EN 61347-1, 61347-2-13, 62384
- Line harmonics according to EN 61000-3-2
- Immunity according to EN 61547 SELV
- Versatile scope of application due to output power range of up to 42 W
- Higher quality of light thanks to 5% output ripple current
- High efficiency
- High compatibility with COBs and discrete LEDs

Dimming Functions

N/A

Safety Certifications



More Technical Data



EAN	Product Name	Nominal output power (W)	Nominal Output Current (mA)	Output Voltage (Vdc)	Efficiency (max.)	Dimensions (L×W×H)(mm)
6977770430396	ELEMENT 6/220-240/150	3.6 ~ 6.3	150	24 ~ 42	80%	90 x 43 x 22
6977770430419	ELEMENT 8/220-240/200	4.8 ~ 8.4	200	24 ~ 42	82%	90 x 43 x 22
6977770430433	ELEMENT 10/220-240/250	6 ~ 10.5	250	24 ~ 42	84%	90 x 43 x 22
6977770430211	ELEMENT 12/220-240/300	7.2 ~ 12.6	300	24 ~ 42	85%	90 x 43 x 22
6977770430235	ELEMENT 15/220-240/350	8.4 ~ 14.7	350	24 ~ 42	85%	90 x 43 x 22
6977770430259	ELEMENT 20/220-240/500	10.5 ~ 20	500	21 ~ 40	87%	103 x 43 x 29
6977770430273	ELEMENT 25/220-240/600	12.6 ~ 24	600	21 ~ 40	87%	103 x 43 x 29
6977770430297	ELEMENT 30/220-240/700	14.7 ~ 28	700	21 ~ 40	88%	103 x 43 x 29
6977770430310	ELEMENT 33/220-240/800	16.8 ~ 32	800	21 ~ 40	88%	103 x 43 x 29
6977770430334	ELEMENT 35/220-240/900	18.9 ~ 36	900	21 ~ 40	89%	103 x 43 x 29
6977770430358	ELEMENT 38/220-240/950	20 ~ 38	950	21 ~ 40	89%	103 x 43 x 29
6977770430372	ELEMENT 42/220-240/1050	22 ~ 42	1050	21 ~ 40	89%	103 x 43 x 29





Advantages

- Compact housing
- Safety SELV, constant current output
- Flicker free design
- High power factor (PF>0.95) and low THD (<15%)
- Reliable quality, 50000 hours lifetime.
- Integrated cable clamps for independent installation
- Simple installation and operation
- Multi wattages and output currents for varies of needs

About EM II (EM Panel)

Single current flicker free compact on/off driver for indoor commercial installations.

Dimming Functions

ON/OFF

Safety Certifications



EAN	Product Name	Output power (W)	Adjustable Current Range(mA)	Min Dimming Output Current(mA)	Output Voltage (Vdc)	Efficiency (max.)	Dimensions (L×W×H)(mm)
6937186106445	EM 20/220-240/500 II	20	500	n/a	30...42 V	87.0%	119x37x27.5
6937186106469	EM 25/220-240/600 II	25	600	n/a	30...42 V	87.0%	119x37x27.5
6937186106483	EM 30/220-240/700 II	30	700	n/a	30...42 V	88.0%	119x37x27.5
6937186106506	EM 34/220-240/800 II	34	800	n/a	30...42 V	88.0%	119x37x27.5
6937186106520	EM 38/220-240/900 II	38	900	n/a	30...42 V	89.0%	119x37x27.5
6937186106544	EM 42/220-240/1A0 II	42	1050	n/a	30...42 V	89.0%	119x37x27.5
6937186106568	EM 50/220-240/1A2 II	50	1200	n/a	30...42 V	90.0%	119x37x27.5



Advantages

- Wide Ta range -20 ~ +50
- 24 V constant output voltage
- Output power up to 250 W
- High efficiency up to 93% (depend on different wattage)
- PF 0.98
- Screw terminal
- Suitable for Class I/II luminaires
- Build-in and independent installation
- 5 years guarantee*
- Cable clamp integrated
- SELV
- Overload protection
- Overtemperature protection
- Mains voltage: 220 ~ 240 VAC
- Class II design for wide application
- Well design for Flex and Signage
- Excellent price/quality/watt ratio
- Lifetime: up to 50,000 h (temperature at max. tc)

Dimming Functions

N/A

Safety Certifications



EAN	Product Name	Nominal output power (W)	Nominal Output Current (mA)	Output Voltage (Vdc)	Efficiency (max.)	Dimensions (L×W×H)(mm)
6937186142672	IT FIT 30/220-240/24	30	not relevant	24	87%	170 x 40 x 30
6937186142696	IT FIT 60/220-240/24	60	not relevant	24	89%	224 x 40 x 30
6937186142610	IT FIT 120/220-240/24	120	not relevant	24	90%	284 x 40 x 30
6937186142634	IT FIT 180/220-240/24	180	not relevant	24	92%	324 x 40 x 30
6937186142658	IT FIT 250/220-240/24	250	not relevant	24	93%	375 x 50 x 35

More Technical Data





OT SLIM 24V

Advantages

- Constant Voltage drivers suitable for 24V LED
- Type of protection: IP20
- Wide operating temperature range: -20 ~ +50 °C
- Lifetime: up to 50,000 h (temperature at max. tc)
- Installation in cold and hot environments
- Very stable output power
- High electrical reversible short-circuit, overload, overtemperature protection
- Independent installation possible

About OT SLIM 24V

Constant Voltage drivers suitable for 24V LED modules with very low housing profile suitable for independent installations

Dimming Functions

N/A

Safety Certifications



EAN	Product Name	Nominal output power (W)	Nominal Output Current (mA)	Output Voltage (Vdc)	Efficiency (max.)	Dimensions (L×W×H)(mm)
6977770438699	OT SLIM 30/220-240/24	30	not relevant	24.2	86%	315 x 282 x 145
6977770438712	OT SLIM 60/220-240/24	60	not relevant	24.2	90%	350 x 192 x 145
6977770438736	OT SLIM 100/220-240/24	100	not relevant	24.2	91%	387 x 192 x 150
6977770438750	OT SLIM 160/220-240/24	160	not relevant	24.2	92%	417 x 192 x 165
6977770438774	OT SLIM 250/220-240/24	250	not relevant	24.2	91%	357 x 312 x 100

More Technical Data





PrevaLED Linear G6



Advantages

- Module efficacy: up to 173 lm/W
- Available with luminous flux: 245 lm on 62 mm, 275 lm on 70 mm
- Available with luminous flux: 1,100 lm or 2,000 lm on 280 mm
- Available with luminous flux: 2,200 lm or 4,000 lm on 560 mm
- Color rendering index: 90
- High initial color consistency: ≤ 3 SDCM
- Average lifetime (L80 B50): 70,000 h (temperature at $T_c = 50^\circ\text{C}$)
- CE marked, ENEC certified; UL listed
- Slim luminaire design by small and flexible form factor
- High homogeneity thanks to small LED pitch
- High voltage (HV) optimized for non-isolated, low voltage (LV) optimized for SELV operation
- Adjustable luminous flux, efficacy and lifetime
- Direct the light where it's needed while using PrevaLED
- Linear Optics

Safety Certifications



More Technical Data





Advantages

- Complete portfolio with varying luminous flux, color temperature, color rendering
- Available with color temperature: 2,700 K, 3,000 K, 3,500 K or 4,000 K
- High module efficacy: up to 160 lm/W at $T_p = 85\text{ }^\circ\text{C}$
- LED module is basic isolated to mounting surface
- Max. working voltage: 60 V (to be operated only on SELV LED control gear)
- High quality of light, complying with IES TM30-15 standard
- Flexible lumen output selection from 1,000 to 5,000lm
- Color consistency < 3SDCM
- Industry standard form factor and LES
- System approach (COB + Holder + Driver)
- Easy cooling due to optimized efficiency and high maximum operation temperature
- High driver flexibility allows cost-effective and intelligent systems
- Up to 50,000 hours lifetime
- 5 year guarantee

Safety Certifications



More Technical Data





Advantages

- Color consistency 2 SDCM
- TM30 compliant
- High flux output up to 2000 lm
- Beam angle: 15°, 24°, 40°, 60°
- Type of protection: IP20
- Compatible with conventional MR16 lamps
- Precise optical control and free from multi-shadow issue
- Replaceable front cover to maximize optics flexibility and future extension
- Dual mode options in High-Output (HO) and High-Efficacy (HE)

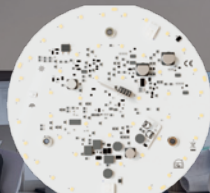
Safety Certifications

CE

More Technical Data



PrevaLED Flat AC BL



Advantages

- Qualified Bluetooth mesh wireless control
- Dimming range: 1 ~ 100 %
- Designed for wall and ceiling luminaires with diffuse light distribution
- Low-cost LED replacement of CFL wall-, and ceiling luminaires
- Driver integrated on LED board
- Lifetime (L70/B50): 50,000 h
- LED module is reinforced isolated to mounting surface
- Photobiological safety according to IEC/TR 62778, risk group RG1
- Touch protection accessory for simple use in luminaires
- High reliability
- Easy to use
- Optimised design for simple thermal management
- Enables thin and efficient luminaire designs
- High quality of light thanks to low modulation
- 5 year guarantee

Safety Certifications



More Technical Data





Advantages

- Nominal voltage: 24 V | 48 V
- Nominal wattage per meter: 4.0 W ~ 25.8 W
- Type of protection: IP00
- Color rendering index Ra: 80 | 90
- Color temperature: 2400 K ~ 4000 K
- Luminous flux per meter: 325 lm ~ 4100 lm
- Length: 3000 mm ~ 18000 mm
- Length – smallest unit: 50 mm | 100 mm
- Beam angle: 120 °
- LEDs per meter: 80
- Color uniformity better than 2 SDCM on the entire LED strip and between strips
- Light stability over time typically 1 SDCM, tested acc. to IEC 62717 @ 6,000 h
- LED lifetime acc. to IES LM-80 and IES TM-21 standards, and also internal Lab tests
- Reliable photometric parameters according to IES LM-79, EN13032-4 and CIE S 025
- Accurate description of the color rendition of the light source acc. to IES TM-30-15
- Excellent robustness: single reel manufacturing technology (no solder joints on strip)
- Vibration-resistant for stationary installations acc. to IEC60068-2-6 and IEC60068-2-64
- Flicker and stroboscopic effect-free acc. to IEC TR 61547-1 and IEC TR 63158
- Tested by accredited Product Qualification Lab. ISO9001, ISO 17025, ACCREDIA, VDE
- Easy mounting on many smooth surfaces thanks to self-adhesive tape at the back

Safety Certifications



More Technical Data

24V Models:



48V Models:



LINEARlight FLEX Infinite Protect



Advantages

- Nominal voltage: 24 V | 48 V
- Nominal wattage per meter: 4.0 W ~ 26.4 W
- Type of protection: IP66/IP68
- Color rendering index Ra: 80 | 90
- Color temperature: 2400 K ~ 4000 K
- Luminous flux per meter: 430 lm ~ 4000 lm
- Length: 3000 mm ~ 18000 mm
- Length – smallest unit: 50 mm | 100 mm
- Beam angle: 120 °
- LEDs per meter: 80
- Color uniformity better than 2 SDCM on the entire LED strip and between strips
- Light stability over time typically 1 SDCM, tested acc. to IEC 62717 @ 6,000 h
- LED lifetime acc. to IES LM-80 and IES TM-21 standards
- Reliable photometric parameters according to IES LM-79, EN13032-4 and CIE S 025
- Accurate description of the color rendition of the light source acc. to IES TM-30-15
- Excellent robustness: single reel manufacturing technology (no solder joints on strip)
- Vibration-resistant for stationary installations acc. to IEC60068-2-6 and IEC60068-2-64
- Flicker and stroboscopic effect-free acc. to IEC TR 61547-1 and IEC TR 63158
- Tested by accredited Product Qualification Lab. ISO9001, ISO 17025, ACCREDIA, VDE
- Easy mounting on many smooth surfaces thanks to self-adhesive tape at the back
- High-performance silicone for extremely long life

Safety Certifications



More Technical Data

24V Models:



48V Models:





Advantages

- Nominal voltage: 24 V
- Nominal wattage per meter: 6.1 W ~ 20 W
- Type of protection: IP00 | IP68
- Color rendering index Ra: 80 ~ 95
- Color temperature: 2500 K ~ 4000 K
- Luminous flux per meter: 800 lm ~ 2100 lm
- Length: 5000 mm | 10000 mm
- Length – smallest unit: 50 mm
- Beam angle: 120°
- LEDs per meter: 140
- Color uniformity better than 2 SDCM on the entire LED strip and between strips
- Light stability over time typically 1 SDCM, tested acc. to IEC 62717 @ 6,000 h
- LED lifetime acc. to IES LM-80 and IES TM-21 standards
Reliable photometric parameters according to IES LM-79,
- EN13032-4 and CIE S 025
- Accurate description of the color rendition of the light source acc. to IES TM-30-15
- Excellent robustness: single reel manufacturing technology (no solder joints on strip)
- Vibration-resistant for stationary installations acc. to IEC60068-2-6 and IEC60068-2-64
- Flicker and stroboscopic effect-free acc. to IEC TR 61547-1 and IEC TR 63158
- Tested by accredited Product Qualification Lab. ISO9001, ISO 17025, ACCREDIA, VDE
- Easy mounting on many smooth surfaces thanks to self-adhesive tape at the back
- High-performance silicone for extremely long life

Safety Certifications



More Technical Data





Advantages

- Energy saving low-power flexible LED strip
- Easy installation with track system
- Multi-cutttable LED strip with CONNECT system
- Available in warm white and neutral white
- 120° viewing angle per module
- Consistent white light: 3 SDCM
- Color rendering index 90+ (CRI) and R9 > 50
- Lifetime: up to 50,000 h L70B50
- Dimmable (with suitable DALI dimming methods)
- Available with protection class IP00 and IP66
- IP66 protection, IP54 when cut and reconnected

Safety Certifications



More Technical Data





Advantages

- Nominal voltage: 24 V.
- Nominal wattage per meter: 4.5 W ~ 15.3 W.
- Type of protection: IP00 | IP67.
- Color rendering index Ra: 80 | 90.
- Color temperature: 2700 K ~ 4000 K.
- Luminous flux per meter: 490 lm ~ 2100 lm.
- Length: 5000 mm.
- Length – smallest unit: 100 mm.
- Beam angle: 120°.
- LEDs per meter: 70.
- High homogeneity and uniform illumination due to 70 LEDs/m.
- Constant flux over length and power supply variations thanks to active IC on each single unit.
- Single color bin in 3 SDCM.
- Dimmable via pulse width modulation (PWM), 1...100%.
- Lifetime up to 50,000 h (L70B50 & L80B10, Tp rated).
- Fast and reliable protection against accidental reverse power supply up to 25 V.
- Robust ESD protection for reliable system operation.
- Improved self-adhesive backside for easy and reliable mounting on different surfaces.
- Pre-soldered cable on one side for quick and safe installation.
- System combination with INVENTRONICS 24 V constant voltage drivers, optional connectors and mounting accessories.
- 100% Made in Italy with 5-year product warranty and 7-year system guarantee.

Safety Certifications



More Technical Data

IP00:



IP67:





Advantages

- Nominal voltage: 24 V.
- Nominal wattage per meter: 4.5 W ~ 15.4 W.
- Type of protection: IP00 | IP67.
- Color rendering index Ra: 80 | 90.
- Color temperature: 2700 K ~ 4000 K.
- Luminous flux per meter: 470 lm ~ 2170 lm.
- Length: 5000 mm.
- Length – smallest unit: 50 mm.
- Beam angle: 120°.
- LEDs per meter: 140.
- High homogeneity and uniform illumination due to 140 LEDs/m.
- Constant flux over length and power supply variations thanks to active IC on each single unit.
- Single color bin in 3 SDCM.
- Dimmable via pulse width modulation (PWM), 1...100%.
- Lifetime up to 50,000 h (L70B50 & L80B10, Tp rated).
- Fast and reliable protection against accidental reverse power supply up to 25 V.
- Robust ESD protection for reliable system operation.
- Improved self-adhesive backside for easy and reliable mounting on different surfaces.
- Pre-soldered cable on one side for quick and safe installation.
- System combination with INVENTRONICS 24 V constant voltage drivers, optional connectors and mounting accessories.
- 100% Made in Italy with 5-year product warranty and 7-year system guarantee.

Safety Certifications



More Technical Data

IP00:



IP67:





LINEARlight FLEX Colormix

Advantages

- Nominal voltage: 24 V
- Nominal wattage per meter: 7.9 W ~ 19.6 W
- Type of protection: IP00 | IP68
- Color rendering index Ra (white): up to 90
- Color temperature (white): 2200 K ~ 6500 K
- Luminous flux per meter: up to 1275 lm
- Length: 5100 mm | 6000 mm
- Length – smallest unit: 100 mm | 150 mm
- Beam angle: 120°
- LEDs per meter: up to 120
- Uniform color changing
- Great design freedom thanks to flexibility and cuttability of module
- High-performance silicone for extremely long life and flexibility
- Easy mounting on many smooth surfaces thanks to self-adhesive tape at the back
- Extraordinary design and high quality materials
- Toolless connection with the optional CONNECTsystem

Safety Certifications



More Technical Data





Advantages

- Nominal voltage: 24 V
- Nominal wattage per meter: 9.8 W ~ 34.7 W
- Type of protection: IP00
- Color rendering index Ra: 90
- Color temperature: 2700 K ~ 4180 K
- Luminous flux per meter: 1111 lm ~ 3400 lm
- Length: 3000 mm | 9000 mm
- Length – smallest unit: 75 mm
- Beam angle: 120 °
- LEDs per meter: 187
- Color uniformity better than 3 SDCM on the entire LED strip and between strips
- LED lifetime acc.to IES LM-80 and IES TM-21 standards
- Excellent robustness: single reel manufacturing technology (no solder joints on strip)
- Easy mounting on many smooth surfaces thanks to self-adhesive tape at the back
- Extraordinary design and high quality materials
- Pre-soldered wires

Safety Certifications



More Technical Data





Advantages

- Nominal voltage: 24 V
- Nominal wattage per meter: 9.9 W ~ 32 W
- Type of protection: IP67
- Color rendering index Ra: 80 | 90
- Color temperature: 3100 K | 3700 K
- Luminous flux per meter: 1134 lm ~ 3356 lm
- Length: 3000 mm | 9000 mm
- Length – smallest unit: 75 mm
- Beam angle: 120 °
- LEDs per meter: 187
- Color uniformity better than 3 SDCM on the entire LED strip and between strips
- LED lifetime acc.to IES LM-80 and IES TM-21 standards, and also internal Lab tests
- Excellent robustness: single reel manufacturing technology (no solder joints on strip)
- Easy mounting on many smooth surfaces thanks to self-adhesive tape at the back
- Extraordinary design and high quality materials
- High-performance silicone for extremely long life

Safety Certifications



More Technical Data





LINEARlight FLEX Diffuse TOP

Advantages

- Nominal voltage: 24 V
- Nominal wattage per meter: 7.3 W ~ 21 W
- Type of protection: IP66/IP68
- Color rendering index Ra: 80 | 90
- Color temperature: 2440 K ~ 7100 K
- Luminous flux per meter: 460 lm ~ 1550 lm
- Length: 4000 mm ~ 10000 mm
- Length – smallest unit: 50 mm
- Beam angle: 120 °
- LEDs per meter: 140
- IP66/IP68 protection with high performance silicone
- Reliable connection over long periods of time: IP66/67 connector with built-in protection against liquids penetrating through the wires into the LED strip
- Outdoor use possible: UV and salt mist resistant (UV acc. to ISO 4892-2 - Method A, salt mist acc. to IEC 60068-2-52 severity 1)

Safety Certifications



More Technical Data





Advantages

- Nominal voltage: 24 V
- Nominal wattage per meter: 7 W ~ 21 W
- Type of protection IP66/IP67 | IP66/IP68 | IP67
- Color rendering index Ra: 80 | 90
- Color temperature: 2300 K ~ 6900 K
- Luminous flux per meter: 340 lm ~ 1050 lm
- Length: 4000 mm ~ 10000 mm
- Length – smallest unit: 50 mm
- Beam angle: 120 °
- LEDs per meter: 140
- IP68 protection with high performance silicone
- Reliable connection over long periods of time: IP67 connector with built-in protection against liquids penetrating through the wires into the LED strip
- Outdoor use possible: UV and salt mist resistant (UV acc. to ISO 4892-2 - Method A, salt mist acc. to IEC 60068-2-52 severity 1)

Safety Certifications



More Technical Data



The image shows a perspective view of a long, brightly lit hallway with reflective walls and floor. The lighting is a mix of blue and purple. Overlaid on the image is the text 'TEC FLEX DIFFUSE RGBW addressable TOP' in large, bold, orange letters. A glowing, wavy line of light is visible on the right side of the hallway.

TEC FLEX DIFFUSE RGBW addressable TOP

Advantages

- Nominal voltage: 24 V
- Nominal wattage per meter: 18.0 W
- Type of protection: IP67
- Color rendering index Ra: RGB
- Color temperature: 4000 K
- Luminous flux per meter: 170 lm
- Length: 5000 mm
- Length – smallest unit: 100 mm
- Beam angle: 120 °
- LEDs per meter: 70
- Pastel colours thanks white LED with good color rendering (4000K)
- Long lifetime: 50.000 hours

Safety Certifications

CE

More Technical Data





Advantages

- Nominal voltage: 24 V
- Nominal wattage per meter: 18.0 W
- Type of protection: IP67
- Color rendering index Ra: RGB
- Color temperature: 4000 K
- Luminous flux per meter: 170 lm
- Length: 5000 mm
- Length – smallest unit: 100 mm
- Beam angle: 120 °
- LEDs per meter: 70
- Pastel colours thanks white LED with good color rendering (4000K)
- Long lifetime: 50.000 hours

Safety Certifications



More Technical Data





Lighting Systems

- Architectural Lighting
- Signage and Non-Lighting



inventronics

Lighting system solutions-Architectural	241
Lighting system solutions-Signage & Non-lighting	247

01 Light Modules & Accessories

1.1 Flexible	LINEARlight FLEX Infinite IP00	249
	LINEARlight FLEX Infinite Protect	250
	LINEARlight FLEX Uniformity	251
	Tec FLEX NeoGen	252
	Tec FLEX NeoGen Shortpitch	253
	BASIC FLEX Shortpitch	254
	LINEARlight FLEX Colormix	255
	LINEARlight FLEX Tunable White IP00	256
	LINEARlight FLEX Tunable White Protect	257
	LINEARlight FLEX Diffuse TOP	258
	LINEARlight FLEX Diffuse SIDE	259
	TEC FLEX DIFFUSE RGBW addressable TOP	260
	TEC FLEX DIFFUSE RGBW addressable SIDE	261
1.2 Signage	BackLED CP 24V	262
	BackLED Tunable White CP G5	263
	BackLED Area Tunable White	264
	BackLED CB G2 24V	265
	BackLED RGBW G3/DMX	267
	BackLED CX G6	268

02 LED Driver & Accessories

2.1 Outdoor

Connected - Constant Voltage	OTi DALI 24V 4CH P	269
Simple DIM - Constant Voltage	IT D0P 24V 2CH P67	270
Non Dimmable - Constant Voltage	OT 24V P	271
	OT FIT 24V P	272
	OT FIT 12V P	273

2.2 Indoor		
Connected - Constant Voltage	IT D0 24V 1CH-2CH	274
	OTi DALI 48V 1CH	276
	OT Wi 24V CA	277
	OTi DALI 24V	278
Simple DIM - Constant Voltage	OT DMX DIM 5CH	280
	OT PC 24V	281
	IT D0P 12-48V	282
Non Dimmable - Constant Voltage	IT FIT 24V	283
	OT SLIM 24V	285

03 Controls, Sensors, Programming Tools & Accessories

3.1 DALI	DALI PRO 2 IoT	286
	DALI MCU TW G2	287
	DALI-2 REP LI	288
3.2 Software	Tuner4TRONIC	289
	DALI PRO PC TOOL	289
	DALI PRO CONTROL	289
	DALI Wizard	289
	BT Config	289
	BT CONTROL	289
3.3 Programming Tools	DALI magic	290

Lighting System Solutions **Architectural**

— Light is design!





Experience the ultimate in world-class quality with our portfolio — enabling you to specify with unwavering confidence and peace of mind.

Expertise

Our lighting systems are designed to support unique and long-lasting lighting experiences



**Flexible
and changeable**



Dynamic regulation

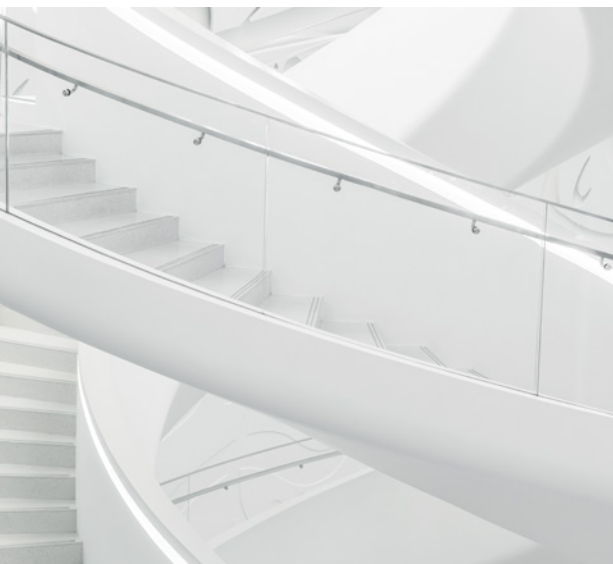


**Durable
and long-lasting**

System Value

- Highest optical uniformity with outstanding stability over time of color coordinates & luminous flux levels
- Complete, tested, and guaranteed interoperable components to build any seamless curvilinear lighting systems.
- Extended installation possibilities, with the LED driver up to 50m away from the LED module ensuring full dimming functionality, with accurate dimming down to 0.1%.
- Our lighting systems can create the most precise smart light effects, thanks to a state-of-the-art set of controllable devices, including both wired and wireless controls and sensors.
- Our global technical service ensures the necessary on-site support for your lighting project, including component customization.

Sub-applications



Indoor Beautification

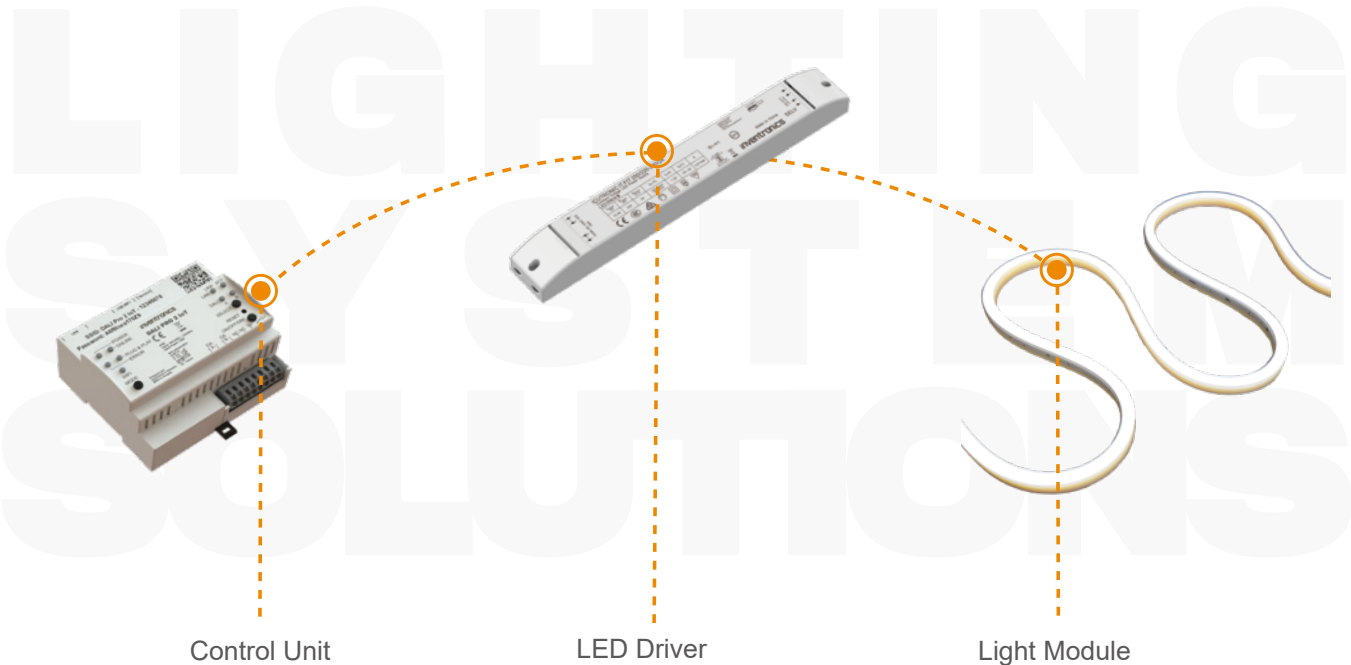


Outdoor Beautification



Marine

Lighting System Solutions



Entertainment

Art and Museum



▶ A masterful blend of Turkish cultural heritage and cutting-edge architectural artistry.

***Camlica Grand Mosque,
Istanbul, Turkey***

Inventronics Cases





This is the most breathtaking sacred spot in Zagreb.

St. Francis of Assisi Church, Zagreb, Croatia



Luxury and elegance redefined in the heart of London.

Raffles London at The OWO

Lighting System Solutions Signage & Non-lighting

— Light is noticeable!



Signage
& Non-lighting

St. James

Trattoria
Pizzeria
Bar



Choosing our signage lighting systems, allows your brand to stand out with exceptional visibility and reliability. Experience the highest homogeneity of illumination with our backlighting systems, designed to deliver the brightest, most efficient, and highest reliable illumination, in full light-control.

Expertise

Attractive advertising or impressive surface illumination, require backlighting systems and eye-catching channel letters in advertisements or homogeneous and color uniform backlit ceilings & walls for unique design interiors.



**Light uniformity
& efficiency**



**Complete component
system**



**Durability &
long-lasting reliability**

System Value

- Our LED modules are designed to deliver best-in-class homogeneous light for any backlit surface, shape and depth.
- Enhanced backlighting flexibility with modular systems available in a wide range of power and luminous flux options, in monochromatic white, tuneable white, and RGBW.
- Ease of installation, with complete set of application-specific accessories, making installation fast and intuitive.
- Our patented solutions, from lenses to smart drivers, ensure the highest system efficiency during operation, while providing full light control.
- Extended system warranty, built on fully tested, interoperable components, including LED modules, smart drivers, sensors, and controls.
- Our global technical service supports lighting projects with comprehensive assistance, including component customization.

Sub-applications

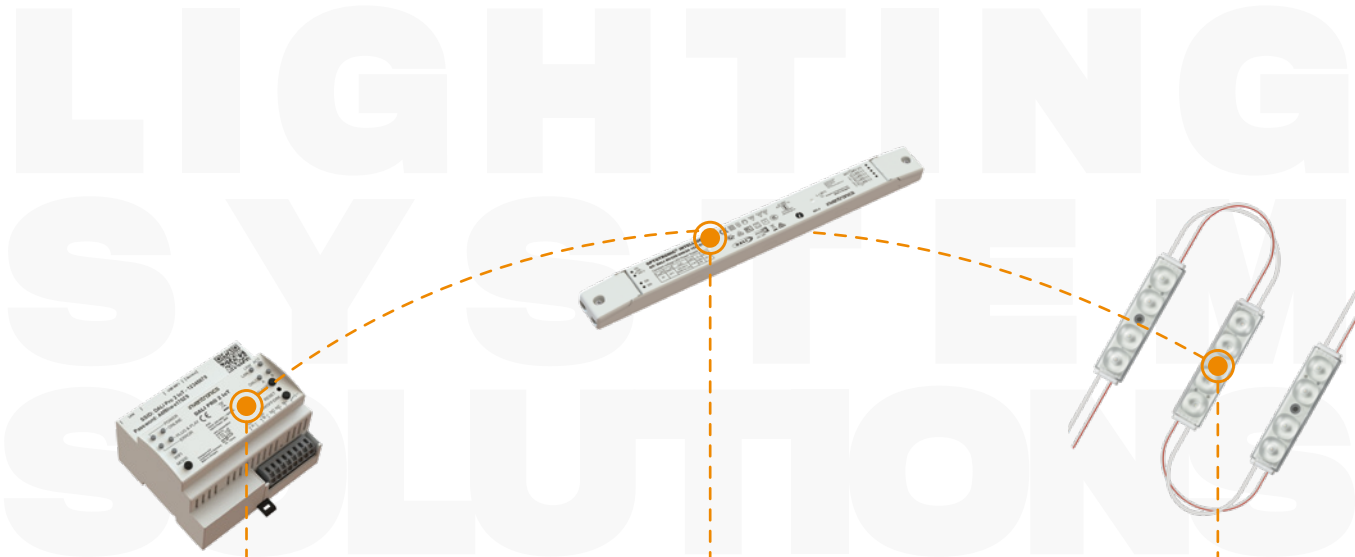


Back lit & Box lit



**Dynamic Façade
& Beautification**

Lighting System Solutions



Control Unit

LED Driver

Light Module



Non-Lighting



Advantages

- Nominal voltage: 24 V | 48 V
- Nominal wattage per meter: 4.0 W ~ 25.8 W
- Type of protection: IP00
- Color rendering index Ra: 80 | 90
- Color temperature: 2400 K ~ 4000 K
- Luminous flux per meter: 325 lm ~ 4100 lm
- Length: 3000 mm ~ 18000 mm
- Length – smallest unit: 50 mm | 100 mm
- Beam angle: 120 °
- LEDs per meter: 80
- Color uniformity better than 2 SDCM on the entire LED strip and between strips
- Light stability over time typically 1 SDCM, tested acc. to IEC 62717 @ 6,000 h
- LED lifetime acc.to IES LM-80 and IES TM-21 standards, and also internal Lab tests
- Reliable photometric parameters according to IES LM-79, EN13032-4 and CIE S 025
- Accurate description of the color rendition of the light source acc. to IES TM-30-15
- Excellent robustness: single reel manufacturing technology (no solder joints on strip)
- Vibration-resistant for stationary installations acc. to IEC60068-2-6 and IEC60068-2-64
- Flicker and stroboscopic effect-free acc. to IEC TR 61547-1 and IEC TR 63158
- Tested by accredited Product Qualification Lab. ISO9001, ISO 17025, ACCREDIA, VDE
- Easy mounting on many smooth surfaces thanks to self-adhesive tape at the back

Safety Certifications



More Technical Data

24V Models:



48V Models:





Advantages

- Nominal voltage: 24 V | 48 V
- Nominal wattage per meter: 4.0 W ~ 26.4 W
- Type of protection: IP66/IP68
- Color rendering index Ra: 80 | 90
- Color temperature: 2400 K ~ 4000 K
- Luminous flux per meter: 430 lm ~ 4000 lm
- Length: 3000 mm ~ 18000 mm
- Length – smallest unit: 50 mm | 100 mm
- Beam angle: 120 °
- LEDs per meter: 80
- Color uniformity better than 2 SDCM on the entire LED strip and between strips
- Light stability over time typically 1 SDCM, tested acc. to IEC 62717 @ 6,000 h
- LED lifetime acc. to IES LM-80 and IES TM-21 standards
- Reliable photometric parameters according to IES LM-79, EN13032-4 and CIE S 025
- Accurate description of the color rendition of the light source acc. to IES TM-30-15
- Excellent robustness: single reel manufacturing technology (no solder joints on strip)
- Vibration-resistant for stationary installations acc. to IEC60068-2-6 and IEC60068-2-64
- Flicker and stroboscopic effect-free acc. to IEC TR 61547-1 and IEC TR 63158
- Tested by accredited Product Qualification Lab. ISO9001, ISO 17025, ACCREDIA, VDE
- Easy mounting on many smooth surfaces thanks to self-adhesive tape at the back
- High-performance silicone for extremely long life

Safety Certifications



More Technical Data

24V Models:



48V Models:





Advantages

- Nominal voltage: 24 V
- Nominal wattage per meter: 6.1 W ~ 20 W
- Type of protection: IP00 | IP68
- Color rendering index Ra: 80 ~ 95
- Color temperature: 2500 K ~ 4000 K
- Luminous flux per meter: 800 lm ~ 2100 lm
- Length: 5000 mm | 10000 mm
- Length – smallest unit: 50 mm
- Beam angle: 120°
- LEDs per meter: 140
- Color uniformity better than 2 SDCM on the entire LED strip and between strips
- Light stability over time typically 1 SDCM, tested acc. to IEC 62717 @ 6,000 h
- LED lifetime acc. to IES LM-80 and IES TM-21 standards
Reliable photometric parameters according to IES LM-79,
- EN13032-4 and CIE S 025
- Accurate description of the color rendition of the light source acc. to IES TM-30-15
- Excellent robustness: single reel manufacturing technology (no solder joints on strip)
- Vibration-resistant for stationary installations acc. to IEC60068-2-6 and IEC60068-2-64
- Flicker and stroboscopic effect-free acc. to IEC TR 61547-1 and IEC TR 63158
- Tested by accredited Product Qualification Lab. ISO9001, ISO 17025, ACCREDIA, VDE
- Easy mounting on many smooth surfaces thanks to self-adhesive tape at the back
- High-performance silicone for extremely long life

Safety Certifications



More Technical Data





Tec FLEX NeoGen IP00 & IP67

Advantages

- Nominal voltage: 24 V
- Nominal wattage per meter: 4.5 W ~ 15.3 W
- Type of protection: IP00 | IP67
- Color rendering index Ra: 80 | 90
- Color temperature: 2700 K ~ 4000 K
- Luminous flux per meter: 490 lm ~ 2100 lm
- Length: 5000 mm
- Length – smallest unit: 100 mm
- Beam angle: 120°
- LEDs per meter: 70
- High homogeneity and uniform illumination due to 70 LEDs/m
- Constant flux over length and power supply variations thanks to active IC on each single unit
- Single color bin in 3 SDCM
- Dimmable via pulse width modulation (PWM), 1...100%
- Lifetime up to 50,000 h (L70B50 & L80B10, Tp rated)
- Fast and reliable protection against accidental reverse power supply up to 25 V
- Robust ESD protection for reliable system operation
- Improved self-adhesive backside for easy and reliable mounting on different surfaces
- Pre-soldered cable on one side for quick and safe installation
- System combination with INVENTRONICS 24 V constant voltage drivers, optional connectors and mounting accessories
- 100% Made in Italy with 5-year product warranty and 7-year system guarantee

Safety Certifications



More Technical Data

IP00:



IP67:





Advantages

- Nominal voltage: 24 V
- Nominal wattage per meter: 4.5 W ~ 15.4 W
- Type of protection: IP00 | IP67
- Color rendering index Ra: 80 | 90
- Color temperature: 2700 K ~ 4000 K
- Luminous flux per meter: 470 lm ~ 2170 lm
- Length: 5000 mm
- Length – smallest unit: 50 mm
- Beam angle: 120°
- LEDs per meter: 140
- High homogeneity and uniform illumination due to 140 LEDs/m
- Constant flux over length and power supply variations thanks to active IC on each single unit
- Single color bin in 3 SDCM
- Dimmable via pulse width modulation (PWM), 1...100%
- Lifetime up to 50,000 h (L70B50 & L80B10, Tp rated)
- Fast and reliable protection against accidental reverse power supply up to 25 V
- Robust ESD protection for reliable system operation
- Improved self-adhesive backside for easy and reliable mounting on different surfaces
- Pre-soldered cable on one side for quick and safe installation
- System combination with INVENTRONICS 24 V constant voltage drivers, optional connectors and mounting accessories
- 100% Made in Italy with 5-year product warranty and 7-year system guarantee

Safety Certifications



More Technical Data

IP00:



IP67:





Advantages

- Energy saving low-power flexible LED strip
- Easy installation with track system
- Multi-cutable LED strip with CONNECT system
- Available in warm white and neutral white
- 120° viewing angle per module
- Consistent white light: 3 SDCM
- Color rendering index 90+ (CRI) and R9 > 50
- Lifetime: up to 50,000 h L70B50
- Dimmable (with suitable DALI dimming methods)
- Available with protection class IP00 and IP66
- IP66 protection, IP54 when cut and reconnected

Safety Certifications

CE

More Technical Data



LINEARlight FLEX Colormix



Advantages

- Nominal voltage: 24 V
- Nominal wattage per meter: 7.9 W ~ 19.6 W
- Type of protection: IP00 | IP68
- Color rendering index Ra (white): up to 90
- Color temperature (white): 2200 K ~ 6500 K
- Luminous flux per meter: up to 1275 lm
- Length: 5100 mm | 6000 mm
- Length – smallest unit: 100 mm | 150 mm
- Beam angle: 120°
- LEDs per meter: up to 120
- Uniform color changing
- Great design freedom thanks to flexibility and cuttability of module
- High-performance silicone for extremely long life and flexibility
- Easy mounting on many smooth surfaces thanks to self-adhesive tape at the back
- Extraordinary design and high quality materials
- Toolless connection with the optional CONNECTsystem

Safety Certifications



More Technical Data





Advantages

- Nominal voltage: 24 V
- Nominal wattage per meter: 9.8 W ~ 34.7 W
- Type of protection: IP00
- Color rendering index Ra: 90
- Color temperature: 2700 K ~ 4180 K
- Luminous flux per meter: 1111 lm ~ 3400 lm
- Length: 3000 mm | 9000 mm
- Length – smallest unit: 75 mm
- Beam angle: 120 °
- LEDs per meter: 187
- Color uniformity better than 3 SDCM on the entire LED strip and between strips
- LED lifetime acc.to IES LM-80 and IES TM-21 standards
- Excellent robustness: single reel manufacturing technology (no solder joints on strip)
- Easy mounting on many smooth surfaces thanks to self-adhesive tape at the back
- Extraordinary design and high quality materials
- Pre-soldered wires

Safety Certifications



More Technical Data



LINEARlight FLEX Tunable White Protect



Advantages

- Nominal voltage: 24 V
- Nominal wattage per meter: 9.9 W ~ 32 W
- Type of protection: IP67
- Color rendering index Ra: 80 | 90
- Color temperature: 3100 K | 3700 K
- Luminous flux per meter: 1134 lm ~ 3356 lm
- Length: 3000 mm | 9000 mm
- Length – smallest unit: 75 mm
- Beam angle: 120 °
- LEDs per meter: 187
- Color uniformity better than 3 SDCM on the entire LED strip and between strips
- LED lifetime acc.to IES LM-80 and IES TM-21 standards, and also internal Lab tests
- Excellent robustness: single reel manufacturing technology (no solder joints on strip)
- Easy mounting on many smooth surfaces thanks to self-adhesive tape at the back
- Extraordinary design and high quality materials
- High-performance silicone for extremely long life

Safety Certifications



More Technical Data





Advantages

- Nominal voltage: 24 V
- Nominal wattage per meter: 7.3 W ~ 21 W
- Type of protection: IP66/IP68
- Color rendering index Ra: 80 | 90
- Color temperature: 2440 K ~ 7100 K
- Luminous flux per meter: 460 lm ~ 1550 lm
- Length: 4000 mm ~ 10000 mm
- Length – smallest unit: 50 mm
- Beam angle: 120 °
- LEDs per meter: 140
- IP66/IP68 protection with high performance silicone
- Reliable connection over long periods of time: IP66/67 connector with built-in protection against liquids penetrating through the wires into the LED strip
- Outdoor use possible: UV and salt mist resistant (UV acc. to ISO 4892-2 - Method A, salt mist acc. to IEC 60068-2-52 severity 1)

Safety Certifications



More Technical Data



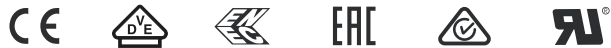
LINEARlight FLEX Diffuse SIDE



Advantages

- Nominal voltage: 24 V
- Nominal wattage per meter: 7 W ~ 21 W
- Type of protection IP66/IP67 | IP66/IP68 | IP67
- Color rendering index Ra: 80 | 90
- Color temperature: 2300 K ~ 6900 K
- Luminous flux per meter: 340 lm ~ 1050 lm
- Length: 4000 mm ~ 10000 mm
- Length – smallest unit: 50 mm
- Beam angle: 120 °
- LEDs per meter: 140
- IP68 protection with high performance silicone
- Reliable connection over long periods of time: IP67 connector with built-in protection against liquids penetrating through the wires into the LED strip
- Outdoor use possible: UV and salt mist resistant (UV acc. to ISO 4892-2 - Method A, salt mist acc. to IEC 60068-2-52 severity 1)

Safety Certifications



More Technical Data





Advantages

- Nominal voltage: 24 V
- Nominal wattage per meter: 18.0 W
- Type of protection: IP67
- Color rendering index Ra: RGB
- Color temperature: 4000 K
- Luminous flux per meter: 170 lm
- Length: 5000 mm
- Length – smallest unit: 100 mm
- Beam angle: 120 °
- LEDs per meter: 70
- Pastel colours thanks white LED with good color rendering (4000K)
- Long lifetime: 50.000 hours

Safety Certifications



More Technical Data





TEC FLEX DIFFUSE RGBW addressable SIDE

Advantages

- Nominal voltage: 24 V
- Nominal wattage per meter: 18.0 W
- Type of protection: IP67
- Color rendering index Ra: RGB
- Color temperature: 4000 K
- Luminous flux per meter: 170 lm
- Length: 5000 mm
- Length – smallest unit: 100 mm
- Beam angle: 120 °
- LEDs per meter: 70
- Pastel colours thanks white LED with good color rendering (4000K)
- Long lifetime: 50.000 hours

Safety Certifications



More Technical Data





BackLED CP 24V



Advantages

- Compatible with OPTOTRONIC constant voltage drivers / dimmers
- Color consistency in 3 SDCM
- Patented Square Lens technology
- Wide CCT and color options available
- IP66 rating
- Lifetime (L80/B10): 50,000 h (temperature at Tc = 70 °C)
- 5-year warranty @ Ta = 70 °C
- High module efficacy: up to 135 lm/W
- Uniform light pattern design for 60 ~ 200 mm lightbox depth
- Backside injection technology for high protection level
- Energy saving with high efficacy
- Flammability rating at V0

Safety Certifications



More Technical Data

**BackLED
M CP G5:**



**BackLED
L CP G5:**



**BackLED
XL CP G5:**



**BA-m-Ho
CP G5:**



**BA-S
CP G5:**





BackLED Tunable White CP G5

Advantages

- LED chain comprising 30 LED modules connected by flexible cables
- Each LED module contains 4 LEDs
- LED module pitch variable between 150 ~ 450 mm
- Compatible with INVENTRONICS OPTOTRONIC constant voltage drivers / dimmers
- Color consistency of 3 SDCM
- Patented Square Lens technology
- CCT range 2700 K ... 6500 K
- IP66 rating
- Lifetime L80B10 50,000 h @ Tc 75°C
- 5 years warranty

About BackLED Tunable White CP G5

BackLED TW CP G5 provides light boxes and high-ceiling sky lighting designs high level of illumination and adjustable color temperature via Tunable White (TW). It provides Uniform light pattern design for 150-450 mm light-box depth and can be used in various Lumious ceilings applications in Hospitality, restaurants, shops & high end residential etc.

Safety Certifications



More Technical Data





Advantages

- 24 V constant voltage LED modules
- Tunable white 2700K-6500K for dynamic white applications
- Color rendering index Ra: 90
- Constant LED pitch even at board interconnections
- Cuttable, single board for an exact fit in any installation
- Product only compatible with DALI DT8 drivers (TW) or BLE devices with TW lamp profiles
- Provides homogenous light suitable for application in area luminaires
- Quick and easy mounting thanks to plastic holder
- Easy wiring with push-in connectors
- Low energy consumption and less heat generation
- Optimal operation on OPTOTRONIC® 24VDC and 24VDC dimmable power supplies

Safety Certifications

CE

More Technical Data





Advantages

- Long lifetime (L70/B50: 50,000 h at $T_c = 75\text{ }^\circ\text{C}$) ensures reliability even under continuous operation
- Switching endurance up to 1,000,000 cycles, ideal for dynamic or frequently switched signage
- Wide beam angle delivers excellent uniformity, reducing shadowing and hotspots
- Color consistency within 3 SDCM for uniform appearance across all installations
- IP66 rating ensures strong protection against dust and water ingress
- 2 Version available - 100lm/W & 150 lm/W

About BackLED CB G2 24V

High-performance LED module family designed for signage boxes, sky ceilings, luminous ceilings that is reliable, and built for long-lasting visual consistency.

Safety Certifications



Product Name	Output Power per module (W)	Nominal wattage (W) /per EAN 10	SDCM	Lm/W	Mod /chain	Operating Voltage (DC)
BA-M-CB-XXX-24-G2-103	0.72W	14.4	< 3	100	40	24
BA-M-HO-CB-XXX-24-G2-103	0.9W	18	< 3	100	40	24
BA-L-CB-XXX-24-G2-103	1.2W	24	< 3	100	40	24
BA-L-HO-CB-XXX-24-G2-103	1.5W	30	< 3	100	40	24
BA-L-HO-SQ-CB-XXX-24-G2-103	2W	40	< 3	100	40	24
BA-M-CB-XXX-24-G2-153	0.72W	14.4	< 3	150	40	24
BA-M-HO-CB-XXX-24-G2-153	0.9W	18	< 3	150	20	24
BA-L-CB-XXX-24-G2-153	1.2W	24	< 3	150	20	24
BA-L-HO-CB-XXX-24-G2-153	1.5W	30	< 3	150	20	24
BA-L-HO-SQ-CB-XXX-24-G2-153	2W	40	< 3	150	20	24
BA-M-CB-XXX-24-G2-105	0.72W	14.4	< 3	100	20	24
BA-M-HO-CB-XXX-24-G2-105	0.9W	18	< 3	100	20	24
BA-L-CB-XXX-24-G2-105	1.2W	24	< 3	100	20	24
BA-L-HO-CB-XXX-24-G2-105	1.5W	30	< 3	100	20	24
BA-L-HO-SQ-CB-XXX-24-G2-105	2W	40	< 3	100	20	24
BA-M-CB-XXX-24-G2-155	0.72W	14.4	< 3	150	20	24
BA-M-HO-CB-XXX-24-G2-155	0.9W	18	< 3	150	20	24
BA-L-CB-XXX-24-G2-155	1.2W	24	< 3	150	20	24
BA-L-HO-CB-XXX-24-G2-155	1.5W	30	< 3	150	20	24
BA-L-HO-SQ-CB-XXX-24-G2-155	2W	40	< 3	150	20	24
BA-M-CB-RED-12-G2	0.72W	14.4	< 3	34	20	12
BA-M-CB-GRN-12-G2	0.72W	14.4	< 3	41	20	12
BA-M-CB-BLU-12-G2	0.72W	14.4	< 3	17	20	12
BA-M-CB-RED-24-G2	0.72W	14.4	< 3	34	20	24
BA-M-CB-GRN-24-G2	0.72W	14.4	< 3	41	20	24
BA-M-CB-BLU-24-G2	0.72W	14.4	< 3	17	20	24





Advantages

- Upgraded flux output up to 258 lm per module
- Special batwing 160° lens technology
- IP68 rating
- Lifetime L70B50 50,000 h @ max Tc 75°C
- White color consistency of 3 SDCM, 6500K for brilliant pastel colours
- 4000K, 3000K, 2700K, Amber available on request
- 2 versions available:
 whole chain control with current regulator driven modules
 DMX512 single module addressability

About BackLED RGBW G3/DMX

BackLED RGBW CP G3 product family provides fancy dynamic coloured light for backlighting areas, ceilings, advertisement boxes & façade applications.

Dimming Functions

DALI-2 / DMX

Safety Certifications



EAN	Product Name	Output Power per module (W)	Nominal wattage (W) /per EAN 10	SDCM	Lm/W	Mod /chain	Operating Voltage (DC)
6977078997393	BA-RGBW-865-CP G3	2.9 (full RGBW) R - G - B - W 0.73 - 0.73 - 0.73 - 0.73	58 (full RGBW) R - G - B - W 14,5 - 14,5 - 14,5 - 14,5	< 3	87.6	20	24
6977078997645	BA-RGBW-865-CP G3 DMX				(W: 156)	20	24

More Technical Data





Advantages

- Long lifetime (L70/B50: 50,000 h at $T_c = 75\text{ °C}$) ensures reliability even under continuous operation
- Switching endurance up to 1,000,000 cycles, ideal for dynamic or frequently switched signage
- Wide beam angle delivers excellent uniformity, reducing shadowing and hotspots
- Color consistency within 3 SDCM for uniform appearance across all installations
- IP66 rating ensures strong protection against dust and water ingress
- Backside injection technology provides increased protection and ensures stable operation in outdoor environments

About BackLED CX G6

High-performance LED module family designed specifically meeting harsh conditions and strict safety requirements thanks to anti sulphur & IP 66. Optimized for applications such as channel letters, signage boxes, sky ceilings, luminous ceilings that is highly durable, reliable, and built for long-lasting visual consistency.

Safety Certifications



More Technical Data





Advantages

- LED driver whose output power can be shared arbitrarily among the 2 or 4 channels
- Dimming range: 0/0.1 ~ 100 %
- Line frequency: 0 Hz | 50 Hz | 60 Hz
- High level surge protection: up to 6 kV (L-N), 8 kV (L/N-PE)
- Inrush current limiter circuit
- Long lasting and high reliability
- From 1 to 4 channels to arbitrarily distribute the power
- Suitable for installation under sunlight
- IP66/IP67 Salt mist resistant and DC functionality
- AstroDim functionality for automatic dimming and turn on/off

Dimming Functions

DALI-2

Safety Certifications



EAN	Product Name	Nominal output power (W)	Nominal Output Current (mA)	Output Voltage (Vdc)	Efficiency (max.)	Dimensions (L×W×H)(mm)
6937186115133	OTi DALI 210/220-240/244CHDT6/8 P	0 ~ 210	not relevant	24.7	93%	330 x 80 x 47
6937186115157	OTi DALI 100/220-240/244CHDT6/8 P	0 ~ 100	not relevant	24.7	93%	237 x 80 x 40

More Technical Data





Advantages

- Universal input 100...277 Vac
- 24,2 V output + 1,5 V adjustable
- 2 independent output channels in DALI-2, also with DT8 TW
- High modular PWM output frequency of 20...6 kHz
- Wide Ta up to -30...+60°C
- IP66 and IP67

Dimming Functions

Multi protocol dimming: DALI-2, 1-10V, 0-10V, PWM
Dimming range 1...100%

About IT D0P 24V 2CH P67

IT D0P 24V is a constant voltage LED driver family capable of dimming in multi protocol: DALI-2, 0-10V, 1-10V, PWM.

Its wide range input of 100...277 Vac and independent design suitable for CLASS I and II luminaire make the products particularly flexible in any installations and any geographical locations thanks to comprehensive approbation list.

Safety Certifications



EAN	Product Name	Output power (W)	Adjustable Current Range(mA)	Min Dimming Output Current(mA)	Output Voltage (Vdc)	Efficiency (max.)	Dimensions (L×W×H)(mm)
6937186176721	IT D0P 36/100-277/24/2C P67 G	36	N/A	N/A	24.2	86%	211 x 60 x 35
6937186176745	IT D0P 75/100-277/24/2C P67 G	75	N/A	N/A	24.2	90%	206 x 60 x 43
6937186176769	IT D0P 100/100-277/24/2C P67 G	96	N/A	N/A	24.2	90%	216 x 60 x 43
6937186176783	IT D0P 150/100-277/24/2C P67 G	150	N/A	N/A	24.2	92%	230 x 60 x 43
6937186176806	IT D0P 250/100-277/24/2C P67 G	250	N/A	N/A	24.2	92%	265 x 60 x 43
6937186176820	IT D0P 350/100-277/24/2C P67 G	350	N/A	N/A	24.2	92%	265 x 92 x 53



Advantages

- DC mode functionality
- Type of protection: IP66 and IP67
- Surge protection: up to 4 kV (L-N) / 6 kV (L/N-PE)
- Wide operating temperature range: -30 ~ +55 °C
- Lifetime: up to 50,000 h (temperature at max. tc)
- Large range of products from 20 W to 250 W
- Installation in very cold and hot environments
- Very stable output power
- High electrical reversible short-circuit, overload, overtemperature protection

- Smart Power Supply: boosting power to turn on cold LEDs
- Independent installation possible

Dimming Functions

N/A

Safety Certifications



EAN	Product Name	Nominal output power (W)	Nominal Output Current (mA)	Output Voltage (Vdc)	Efficiency (max.)	Dimensions (L×W×H)(mm)
6937186114914	OT 20/220-240/24 P	20	not relevant	24.2	83%	178 x 43 x 25
6937186114938	OT 40/220-240/24 P	40	not relevant	24.2	85%	208 x 43 x 26
6937186114952	OT 60/220-240/24 P	60	not relevant	24.2	87%	208 x 43 x 26
6937186114976	OT 100/220-240/24 P	100	not relevant	24.2	90%	240 x 50 x 34
6937186114990	OT 130/220-240/24 P	130	not relevant	24.2	90.5%	220 x 63 x 37
6937186115010	OT 250/220-240/24 P	250	not relevant	24.2	92%	265 x 68 x 40

More Technical Data





Advantages

- Small housing design for mounting in covers or linear luminaires
- Versatile scope of application thanks to an output power range of up to 300 W
- Robust and durable design for outdoor applications

Dimming Functions

N/A

Safety Certifications



EAN	Product Name	Nominal output power (W)	Nominal Output Current (mA)	Output Voltage (Vdc)	Efficiency (max.)	Dimensions (L×W×H)(mm)
6937186115034	OT FIT 80/220-240/24 P	40 ~ 80	not relevant	24.2	88.5%	170 x 53 x 31.5
6937186115058	OT FIT 150/220-240/24 P	75 ~ 150	not relevant	24.2	92%	240 x 53 x 31.5
6937186115072	OT FIT 200/220-240/24 P	100 ~ 200	not relevant	24.2	93%	215 x 53 x 31.5
6937186115096	OT FIT 300/220-240/24 P	150 ~ 300	not relevant	24.2	93%	260 x 68 x 39.6

More Technical Data





OT FIT 12 V P

Advantages

- Versatile scope of application due to output power range of up to 300 W
- Very high efficiency
- IP rating: up to IP66/IP67
- High surge protection: up to 6 kV (L-N) / 6 kV (L/N-PE)

Dimming Functions

N/A

Safety Certifications



EAN	Product Name	Nominal output power (W)	Nominal Output Current (mA)	Output Voltage (Vdc)	Efficiency (max.)	Dimensions (L×W×H)(mm)
6977770438675	OT FIT 30/220-240/12 P	30	not relevant	12	82%	190 x 40 x 20.5
6977770438613	OT FIT 60/220-240/12 P	60	not relevant	12.5	87%	157 x 53 x 31.5
6977770438637	OT FIT 150/220-240/12 P	150	not relevant	12.5	91%	202 x 53 x 31.5
6977770438651	OT FIT 300/220-240/12 P	300	not relevant	12.5	91%	266 x 83 x 39.5

More Technical Data





Advantages

- DALI-2 certified
- 2 independent channels
- Lamp Failure detection
- CLASS II independent housing
- Smart Power Supply
- SELV, Vout: 24,2 V
- Ta range -20 ~ +50°C
- Very low min dimming level: 1%
- Mains voltage: 220 ~ 240 Vac
- 50'000 h lifetime at max tc
- 5 years guarantee
- IP20 independent housing
- Touch-DIM and corridor compatibility
- Overload/Over temperature and Short circuit protection
- Dimmable via DALI, 0-10V, Touch-Dim or corridor
- 24.2 V nominal output + 1.5 V adjustable
- CC mode for 18 ~ 24 V output option

About IT D0 24V 1CH - 2CH

Constant voltage indoor dimmable LED drivers, independent housing for installation freedom on any surfaces, Available in 1CH or 2CH allows to dim 24V constant voltage LED modules via DALI, 0-10V or Push button also in tunable white Nominal output voltage is 24,2 V with +1,5V adjustable via potentiometer CC mode available for output from 18 to 24 Vdc

Dimming Functions

DALI-2 / 0-10V / Touch Dim

Safety Certifications



More Technical Data





EAN	Product Name	Nominal output power (W)	Nominal Output Current (mA)	Output Voltage (Vdc)	Efficiency (max.)	Dimensions (L×W×H)(mm)
6937186142214	IT D0 36/220-240/24 C UNV1	36	not relevant	24.2	85	240 x 60 x 25
6937186142238	IT D0 75/220-240/24 C UNV1	75	not relevant	24.2	88	275 x 60 x 25
6937186142252	IT D0 150/220-240/24 C UNV1	150	not relevant	24.2	90	320 x 60 x 30
6937186142276	IT D0 200/220-240/24 C UNV1	200	not relevant	24.2	92	320 x 60 x 30
6937186142290	IT D0 36/220-240/24/2C C TW UNV1	36	not relevant	24.2	85	240 x 60 x 25
6937186142313	IT D0 75/220-240/24/2C C TW UNV1	75	not relevant	24.2	88	275 x 60 x 25
6937186142337	IT D0 150/220-240/24/2C C TW UNV1	150	not relevant	24.2	90	320 x 60 x 30
6937186142351	IT D0 200/220-240/24/2C C TW UNV1	200	not relevant	24.2	92	320 x 60 x 30



Advantages

- Dimmable via Touch DIM
- Dimming range: 0.1 ~ 100 %
- Line frequency: 0 Hz | 50 Hz | 60 Hz
- IP rating: IP20
- Suitable for use in luminaires of protection class I and II
- Intelligent power matching thanks to Smart power supply
- 50 m load cable with EMI validated
- Form factor for mounting on the cove or in luminaires
- No stroboscopic effect thanks to patented high PWM frequency management (> 2 kHz)
- Suitable for installation in emergency lighting systems according to EN 60598-2-22
- DALI message detection "LED Module failure"
- DALI part 251-252-253

About OTi DALI 48V 1CH

Constant voltage indoor dimmable LED drivers, independent housing for installation freedom on any surfaces, Allows to dim 48V constant voltage LED modules via DALI.

Dimming Functions

DALI-2

Safety Certifications



EAN	Product Name	Nominal output power (W)	Nominal Output Current (mA)	Output Voltage (Vdc)	Efficiency (max.)	Dimensions (LxWxH)(mm)
6977770432499	OTi DALI 160/220-240/48 1CH	0 ~ 160	not relevant	48.2	95%	300x50x35
6977770432451	OTi DALI 50/220-240/48 1CH	0 ~ 50	not relevant	48.2	92%	346x32x22
6977770432475	OTi DALI 80/220-240/48 1CH	0 ~ 80	not relevant	48.2	93%	346x32x22

More Technical Data





Advantages

- 50, 80, 160 W / 24 V LED drivers, multichannel output
- Lighting wireless Bluetooth Mesh network
- Different light profiles to customize the application
- Power supply and control of white, Tunable White, Tunable Warm White, Dim to Warm
- Power supply and control of RGB and RGBW LED modules (only 50 W and 80 W)
- Driver with integrated CASAMBI lighting control system
- Slim form factor for installation in light boxes
- No stroboscopic effect thanks to patented high PWM frequency management (> 2 kHz).

About OT Wi 24V CA

Optotronic Wireless Intelligent Constant Voltage drivers with CASAMBI control, up to 4 output channel for different LED module control (White, monochrome, TW, RGBW). Independent housing for installation freedom on any surfaces.

Dimming Functions

Bluetooth Casambi

Safety Certifications



EAN	Product Name	Nominal output power (W)	Nominal Output Current (mA)	Output Voltage (Vdc)	Efficiency (max.)	Dimensions (L×W×H)(mm)
6937186115195	OT WI 50/220-240/24 4CH CA	50	not relevant	24.2	92%	345 x 32 x 22
6937186115171	OT WI 80/220-240/24 4CH CA	80	not relevant	24.2	93%	345 x 32 x 22
6937186115218	OT WI 160/220-240/24 2CH CA	160	not relevant	24.2	93%	300 x 50 x 35

More Technical Data





Advantages

- Dimmable via Touch DIM
- Available as single-channel or multi-channel with DT6 and DT8 in one device
- Dimming range: 0.1 ~ 100 % (for 50-80-160W) or 1 ~ 100 % (for 30W)
- Line frequency: 0 Hz | 50 Hz | 60 Hz
- Intelligent power matching thanks to Smart power supply
- Form factor for mounting on the cove or in luminaires
- No stroboscopic effect thanks to patented high PWM frequency management (2 kHz)
- IP rating: IP20
- Suitable for installation in emergency lighting systems according to EN 60598-2-22

Dimming Functions

DALI-2

Safety Certifications



More Technical Data





EAN	Product Name	Nominal output power (W)	Nominal Output Current (mA)	Output Voltage (Vdc)	Efficiency (max.)	Dimensions (L×W×H)(mm)
6937186115119	OTi DALI 30/220-240/24 1CH	30	not relevant	24.2	88%	103 x 67 x 29.5
6977770431881	OTi DALI 50/220-240/24 1CH G3	50	not relevant	24.2	92%	346 x 32 x 22
6977770431966	OTi DALI 50/220-240/24 4CH DT6/8 G3	50	not relevant	24.2	92%	346 x 32 x 22
6977770431867	OTi DALI 80/220-240/24 1CH G3	80	not relevant	24.2	93%	346 x 32 x 22
6977770431942	OTi DALI 80/220-240/24 4CH DT6/8 G3	80	not relevant	24.2	93%	346 x 32 x 22
6977770431904	OTi DALI 160/220-240/24 1CH G3	160	not relevant	24.2	93%	300 x 50 x 35
6977770431928	OTi DALI 160/220-240/ 24 2CH DT6/8 G3	160	not relevant	24.2	93%	300 x 50 x 35



Advantages

- Intelligent DMX dimmer, with output voltage of 12, 24 and 48 V
- Control of LED modules up to 12 A
- RDM functionality for total control in application
- Control of white, Tunable White, RGB, RGBW and RGBTW LED modules
- Independent housing for ceiling installation
- Minimal installation effort
- Selectable PWM frequency

Dimming Functions

DMX

Safety Certifications



EAN	Product Name	Nominal output power (W)	Nominal Output Current (mA)	Output Voltage (Vdc)	Efficiency (max.)	Dimensions (L×W×H)(mm)
6977078993838	OT DMX DIM 5CH	576	not relevant	12 ~ 48	>95%	172 x 42 x 20

More Technical Data





OT PC 24V

Advantages

- IP rating: IP20
- High efficiency
- Very stable output power
- High electrical reversible short-circuit, overload, overtemperature protection
- Independent installation possible
- Suitable for luminaires of protection classes I and II
- 24 V constant output voltage SELV
- Wide Ta range -20 ~ +50
- Lifetime: up to 50,000 h(temperature at max.tc)
- Dimming range: 3 ~ 100 % luminous flux
- Recommended to Use Trailing Edge dimmer

About OT PC 24V

Optotronic Constant Voltage drivers with phase-cut dimming control port. Independent housing for installation freedom on any surfaces.

Dimming Functions

Phase-Cut

Safety Certifications



EAN	Product Name	Nominal output power (W)	Nominal Output Current (mA)	Output Voltage (Vdc)	Efficiency (max.)	Dimensions (L×W×H)(mm)
6977770438460	OT FIT 36/220-240/24 PC	2.42 ~ 36	not relevant	24.2	85%	103 x 67 x 29.5
6977770438484	OT FIT 75/220-240/24 PC	24.2 ~ 75	not relevant	24.2	92%	110 x 75 x 30
6977770438569	OT FIT 150/220-240/24 PC	60.5 ~ 150	not relevant	24.2	92%	170 x 76 x 30

More Technical Data





IT D0P 12-48V

Advantages

- 12-48 V SELV output constant voltage range
- Output power up to 480 W
- 10A handling allowed on one channel
- Overload/Over temperature/Short circuit protection, automatic, reversible 50.000h at tc max
- 10% cumulated failure
- Screw terminals and integrated cable clamps
- Suitable for Class I & II luminaires
- Wide ta range -25 ~ +50°C
- NFC programmability
- Touch DIM compatibility
- 5 years guarantee
- High power handling on 4 channels
- Multi-dim protocols: DALI-2, 0/1-10V, Resistor, PWM
1 to 4 channel output with DALI-2 certification
- DALI-2 certified incl. Parts 251, 252, 253
- DT6 and DT8 operations
- TW in 0-10V compatible

About IT D0P 12-48V

- Multi-dimming DC-DC device, in system with inventronics constant voltage LED drivers with ON/OFF functions can deliver dimming operations up to 480 W from 4 output channels
- 21 different dimming options easily programmable with NFC
- Box programming available for fast batch programming
- Independent housing with endcaps allows maximum installation freedom
- Compatible with touch timing and double touch dimming in TW for dimmable solutions without DALI interfaces

Dimming Functions

DALI-2 / 0(1)-10V / PWM

Safety Certifications



EAN	Product Name	Nominal output power (W)	Nominal Output Current (mA)	Output Voltage (Vdc)	Efficiency (max.)	Dimensions (L×W×H)(mm)
6937186134127	IT D0P 480/12-48V/4C NFC L C RGBW	480	not relevant	12 - 48	/	195 x 51 x 20

More Technical Data





Advantages

- Wide Ta range -20 ~ +50°C
- 24 V constant output voltage
- Output power up to 250 W
- High efficiency up to 93% (depend on different wattage)
- PF 0.98
- Screw terminal
- Suitable for Class I/II luminaires
- Build-in and independent installation
- 5 years guarantee*
- Cable clamp integrated
- SELV
- Overload protection
- Overtemperature protection
- Mains voltage: 220 ~ 240 VAC
- Class II design for wide application
- Well design for Flex and Signage
- Excellent price/quality/watt ratio
- Lifetime: up to 50,000 h (temperature at max. tc)

Dimming Functions

N/A

Safety Certifications



More Technical Data



EAN	Product Name	Nominal output power (W)	Nominal Output Current (mA)	Output Voltage (Vdc)	Efficiency (max.)	Dimensions (L×W×H)(mm)
6937186142672	IT FIT 30/220-240/24	30	not relevant	24	87%	170 x 40 x 30
6937186142696	IT FIT 60/220-240/24	60	not relevant	24	89%	224 x 40 x 30
6937186142610	IT FIT 120/220-240/24	120	not relevant	24	90%	284 x 40 x 30
6937186142634	IT FIT 180/220-240/24	180	not relevant	24	92%	324 x 40 x 30
6937186142658	IT FIT 250/220-240/24	250	not relevant	24	93%	375 x 50 x 35





Advantages

- Constant Voltage drivers suitable for 24V LED
- Type of protection: IP20
- Wide operating temperature range: -20 ~ +50 °C
- Lifetime: up to 50,000 h (temperature at max. tc)
- Installation in cold and hot environments
- Very stable output power
- High electrical reversible short-circuit, overload, overtemperature protection
- Independent installation possible

About OT SLIM 24V

Constant Voltage drivers suitable for 24V LED modules with very low housing profile suitable for independent installations

Dimming Functions

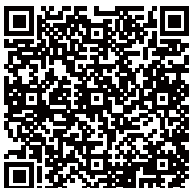
N/A

Safety Certifications



EAN	Product Name	Nominal output power (W)	Nominal Output Current (mA)	Output Voltage (Vdc)	Efficiency (max.)	Dimensions (LxWxH)(mm)
6977770438699	OT SLIM 30/220-240/24	30	not relevant	24.2	86%	270 x 30 x 17.5
6977770438712	OT SLIM 60/220-240/24	60	not relevant	24.2	90%	338 x 30 x 17.5
6977770438736	OT SLIM 100/220-240/24	100	not relevant	24.2	91%	374 x 30 x 18.5
6977770438750	OT SLIM 160/220-240/24	160	not relevant	24.2	92%	404 x 30 x 21.5
6977770438774	OT SLIM 250/220-240/24	250	not relevant	24.2	91%	353 x 60 x 31

More Technical Data





Advantages

- DALI-2 certified
- IoT ready with built-in gateway for remote data access
- Easy browser-based commissioning UI and Professional Software available
- Small form factor: only 6 TE (DIN rail)
- Commissioning via Ethernet/WLAN
- DALI-2 certified for improved multi-vendor interoperability
- Template based onsite commissioning via Smart device
- Building Management System integration via API or optional KNX interface
- Remote access for changes in the configuration from every location
- LAN Interconnect to connect up-to 8 Controllers into one network
- API for connection of a 3rd party SW or Cloud with the DALI Pro 2 IoT Controller
- Automated testing and reporting of emergency lighting installations
- Daylight Simulation via scene recall and/or light sensor regulation
- Supports HCL, RGBW+TW applications

Safety Certifications



EAN	Product Name
6977078993692	DALI PRO 2 IOT

More Technical Data





DALI MCU TW G2

Advantages

- Up to 4 DALI PCU TW G2 can be connected in parallel to set up multiple control points
- Automatic synchronization between the control points
- Cover and rotary switch in neutral white
- Length of the DALI control cable: up to 300 m
- Intuitive manual dimming, switching and changing of colour temperature
- Individual setting of minimal brightness level
- Individual setting of colour temperature range

Safety Certifications



EAN	Product Name
6977078993777	DALI MCU TW G2

More Technical Data





Advantages

- Expansion of DALI systems by 64 DALI control gears each time
- Extends the DALI line by 300 m
- Maximum power consumption in stand-by mode: 1 W
- Four versatile operating modes: Basic, Group, Extend, Touch DIM
- Basic mode: DALI-2 certified DALI converter for grouping up to 64 standard DALI drivers.
- Group mode: Groups up to 64 DALI drivers and up to 5 Inventronics DALI-2 sensors.
- Group mode: Supports standard DALI drivers and DALI-DT8 drivers (TW / RGB (W)).
- Touch DIM mode: Simple switching and dimming of up to 64 drivers.
- Powerful power supply: 130 mA DALI bus power supply
- Can be addressed via DALI

Safety Certifications



EAN	Product Name
6937186116437	DALI-2 REP LI

More Technical Data



SOFTWARE

Software

Overview

Inventronics offers a comprehensive range of professional software solutions to support and configure its components.



T4T



Apps



Tuner4TRONIC

A software suite for OEMs that enables the configuration of all programmable OPTOTRONIC, ICUTRONIC, QUICKTRONIC, and POWERTRONIC LED drivers during the luminaire manufacturing process.



DALI PRO PC TOOL

Software for configuring DALI installations in combination with the DALI PROFESSIONAL control unit DALI PRO C-4 RTC or DALI PRO 2 IoT. DALI PRO 2 IoT is an innovative lighting management control technology for the IoT era.



DALI PRO CONTROL

Easily manage complex lighting scenarios at a touch: switch or dim lights, change light colors or adjust the color temperature.



DALI Wizard

A GUI tool for setting up, analyzing, and diagnosing DALI ECG installations, used in combination with the DALI Wizard control device.



BT Config

An app that offers standalone component detection and automatic light calibration, eliminating the need for manual commissioning and adjustments of daylight-dependent controls.



BT Control

Allows the control of DALI-enabled luminaires via a smartphone, including light level and color temperature adjustments, as well as the storage of individual lighting scenes.



PROGRAMMING TOOLS

Programming Tools

DALI magic



Features

- USB DALI converter for Tuner4TRONIC and DALI wizard software for Windows PC
- Pushbutton to test DALI dimming without need of connection to computer
- Powered by USB or by included universal power supply
- Integrated automatic DALI supply of up to 64 devices (up to 4 if powered by USB)

▶ APAC Region

Inventronics Hangzhou - Headquarters

Inventronics Science and Technology Park, #459 Jianghong Road, Binjiang District, Hangzhou, Zhejiang, China, 310052
Tel: +86-571-56565800
E-mail: sales@inventronicsglobal.com

Inventronics Shenzhen

2F,Block B,Jianxing Technology Building,No.3151 Shahe West Road,Nanshan District, Shenzhen
Tel: +86-571-56565800
E-mail: sales@inventronicsglobal.com

Inventronics Indonesia

JB Tower 10th floor
Jl. Kebon Sirih no. 48-50 Gambir,Jakarta, 10110, Indonesia
Tel: +62 21 5095 8096
Email: id-sales@inventronicsglobal.com

Inventronics Singapore

7 Holland Village Way,
Lobby B, #05-03 / 04 / 05,
Singapore 275748
Tel: +65 9337 5247
E-mail: sg-sales@inventronicsglobal.com

Inventronics Guangzhou

Room 1105-1107, Clifford Corporate Center Building
No. 15, Fuhua Road, Clifford Estate 511496 Panyu,Guangzhou
City, Guangdong Province, PRC
E-mail: ds_mktg@inventronicsglobal.com

Inventronics Japan

Regus Business Center, Shin Kokusai Building 8F, 3-4-1
Marunouchi, Chiyoda-Ku, Japan 100-0005
Tel: +81-9055297496
Email: jp-sales@inventronicsglobal.com

Inventronics Korea

Suite-615, 501, Teheran-ro, Gangnam-gu, Seoul, Republic of
Korea (06168)(V-flex)
E-mail: kr-sales@inventronicsglobal.com

Inventronics Malaysia

Level 4, Uptown 7, Jalan SS21/39, Damansara Utama,
47400 Petaling Jaya, Selangor, Malaysia
Tel: +6012 398 1085
E-mail: my-sales@inventronicsglobal.com

▶ Europe Region

Inventronics Netherlands

Polluxstraat 21, 5047 RA Tilburg, The Netherlands
Tel: +31-857-470-061
Email: eu-sales@inventronicsglobal.com

Inventronics Italy

Via Castagnole 65/A, 31100 Treviso, Italy
Email: support@inventronicsglobal.com

Inventronics Germany

Parking 31-33, 85748 Garching, Germany
Email: support@inventronicsglobal.com

Inventronics France

18 Rue Gaston Romazzotti, 67120 Molsheim, France
Tel: +33 3 68 41 88 99
Email: support@inventronicsglobal.com

▶ Americas Region

Inventronics USA

2825 S Tulsa Ave. Oklahoma City, OK 73108 USA
Tel: +1-405-600-7480
E-mail: usa-sales@inventronicsglobal.com

Inventronics Brazil

Barueri/SP, Brazil
Tel: +55(11)2680-8310
E-mail: brazilsales@inventronicsglobal.com

Inventronics Mexico

Carretera San Martín de las Flores #520
Building 8A Parque Industrial Prologis El Salto
San Pedro Tlaquepaque, Jalisco, Mexico
Tel: +521 3338634039
E-mail: usa-sales@inventronicsglobal.com

▶ MEA Region

Inventronics UAE

#405 E wing HQ Building, DSO, Dubai, UAE
E-mail: support@inventronicsglobal.com

▶ India Region

Inventronics India

Head Office: 4th & 5th Floor, B-Wing, Skyheights, Valipeer Road, Kalyan (west), Pin Code-421301
Factory: Survey No.15, All India Logistics Park, Janval Village, Lonad Village Road, Taluka- Bhiwandi -421 302-Thane
Tel: +91-9845054416
E-mail: in-sales@inventronicsglobal.com



Scan this QR code for more regional sales contacts.



inventronicsglobal.com