



Lighting Systems

–Industrial Lighting



About Inventronics	01
Lighting system solutions-Industrial	03

01 Controls, Sensors, Programming Tools & Accessories

1.1 DALI	DALI PRO 2 IoT	09
	DALI ECO BT RTC	10
	DALI-2 SENSOR LS/PD HB LI	11
	DALI-2 REP LI	12
1.2 Bluetooth NLC	Bluetooth NLC D4i Module Indoor	13
	Bluetooth NLC 0-10 Module Indoor	14
	Bluetooth NLC 220-240 LS/PD CI	15
1.3 Software	Tuner4TRONIC	16
	DALI PRO PC TOOL	16
	DALI PRO CONTROL	16
	DALI Wizard	16
	BT Config	16
	BT CONTROL	16
	HubSense Commissioning	16
1.4 Programming Tools	PRG-MUL2	17
	PRG-NFC-H	17
	PRG-NFC-D2	17
	DALI magic	17
1.5 Converters	CNV-DALI2	17
	Cat.1 Outdoor	18

02 LED Driver & Accessories

2.1 Connected - Constant Current	OT WI D NFC BL L	19
	OT Wi NFC BL L	20
	OTI DX D NFC IND L	21
	OTI DX D NFC L	22
	OTI DX NFC L	23
	OTI DALI N NFC L HE	24
	OTI DALI D NFC IND L	25
	OTI DALI D NFC F L	27
	OTI DALI D LT2 L	28
	IT DALI N DS L	29
	IT DALI LT2 L	30

2.2 Simple DIM - Constant Current	IT DIM HF LS/PD KIT	31
	IT DIM CS L	32
	LUM-MTx	33
	IT 0-10 N R P65 (Highbay)	34
	IT 0-10 DIG	36
	IT 0-10 Non-isolated BRICK	37
2.3 Non Dimmable - Constant Current	EM P7 G2	39
	OT FIT D NFC IND L	40
	OT FIT N NFC L HE	41
	EM FIT D CS L CCT	42
	EM FIT (D) CS L G3	43
	2.4 Accessories	PU-10Kx05KBxA
PU-20Kx10KTxx		44
PU- 20KS10KHT		44
PS-20KS10KHT		44

03 Light Modules & Accessories

3.1 Rigid	PrevaLED Linear IND G1	46
	PrevaLED Linear G6	47
	PL Brick	48

inventronics

About Inventronics

Building a Brighter Future

Inventronics is a premier worldwide provider of lighting systems & solutions, building on decades of expertise in LED drivers, sensors, control systems, and LED modules. Their integrated, cutting-edge solutions are designed to simplify system design, enhance performance, and ensure long-term reliability across a wide range of lighting applications—while meeting all major international safety and performance standards.

The acquisition of the Business Unit Digital Systems in Asia and Europe from OSRAM GmbH in 2023, strengthens and enhances Inventronics portfolio, capabilities, and global presence, making us the first choice for LED lighting system solutions to customers.

4 
**Own production sites
on three continents**

4 
R&D centers

15 
Warehouses

100+ 
Countries products are sold

2000+ 
Employees

4000+ 
Standard lighting products

Why Choose Us?



A Broad Portfolio Of Dependable Products

You benefit from industry-leading comprehensive portfolio of indoor and outdoor high-quality, energy-efficient products and systems as well technical expertise in all lighting applications from a single source.



A Customer-Focused, Service-Driven Collaborator

We develop for and together with you best fitting components and solutions – from standard to customized.



A Forward-Looking, Global Enterprise

We provide consulting, know-how, products, and services from a single source worldwide. Our customer proximity is our core – with on-site contacts and direct connections, you benefit from our global reach.

ALL FIELDS OF APPLICATION



Commercial



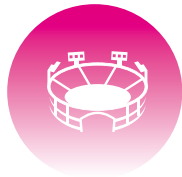
Retail, Hospitality and Residential



Architectural



Signage & Non-lighting



Sports



Horticulture



Street and Area



Industrial

Inventronics Lighting Systems



An Innovative Technology Leader

Through continuous research and development, we improve and extend our range of highly reliable solutions with advanced technologies that ensure you are one step ahead.



A Trusted Partner for Lighting Companies and beyond

We don't compete with our customers; we work with you to create value and make you more successful.

At Inventronics, we are committed to delivering superior lighting solutions and building lasting partnerships for a brighter future.



Lighting System Solutions **Industrial**

— Light is robust!



Ensure your warehouses, manufacturing plants, and logistics hubs can operate with adaptable illumination for precision and safety working conditions while minimizing maintenance and energy costs. Benefit from robust, efficient and lasting lighting solutions from Inventronics for your industrial application!

Expertise

Select our globally available and complete set of rugged LED modules, smart drivers, controls and sensors for your lighting solutions, designed for:



Visual comfort, energy efficiency & control



Harsh conditions & durability



Easy / reduction of maintenance

System Value

- Extended reliability with system approach, built on fully tested, highly reliable components.
- System designed for higher efficiency & durability.
- Tested component interoperability, including LED modules, smart drivers, sensors, and controls.
- Outstanding lighting control, from comfortable switching and dimming, group and scenes control, until daylight harvesting.
- Enhanced monitoring options for energy consumption, voltage peaks or residual lifetime, remotely accessible via cloud.
- Fastest pre-installation programming & user-friendly on-site commissioning.

Sub-applications



Production Factories



Logistics and Warehouses

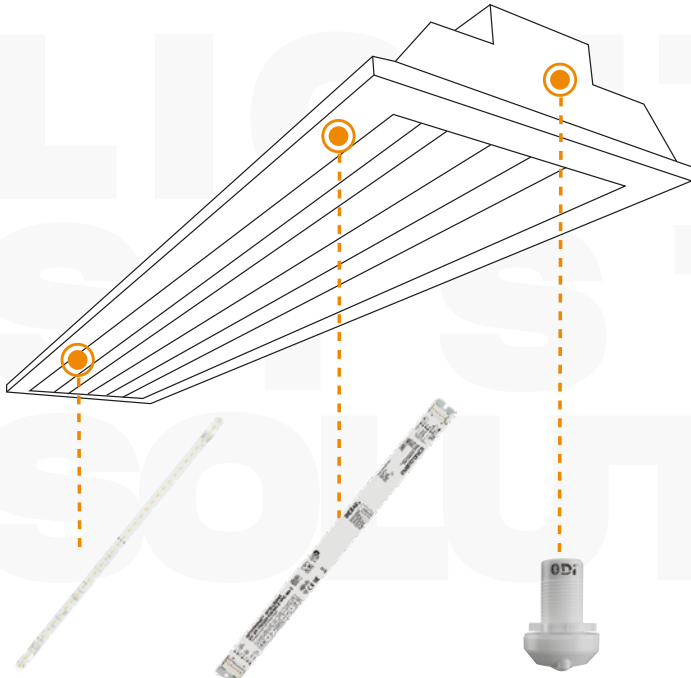


Indoor Transportation / Aviation



Parking Garages

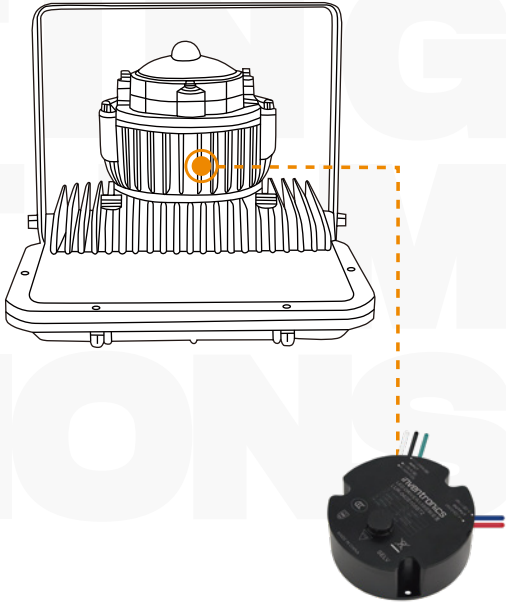
Lighting System Solutions



Light Module

LED Driver

Control Unit



LED Driver



Oil Rigs



Steel Production & Refineries



Mining



Heavy Industries

Inventronics Cases





The longest metro loop
in South China.
Guangzhou Metro
Line 11, China



DALI PRO 2 IoT

Advantages

- IoT ready with built-in gateway for remote data access
- Easy browser-based commissioning UI and Professional Software available
- Small form factor: only 6 TE (DIN rail)
- Commissioning via Ethernet/WLAN
- DALI-2 certified for improved multi-vendor interoperability
- Template based onsite commissioning via
- Building Management System integration via API or optional KNX interface
- Remote access for changes in the configuration from every location
- LAN Interconnect to connect up-to 8 Controllers into one network
- API for connection of a 3rd party SW or Cloud
- Automated testing and reporting of emergency lighting installations
- Daylight Simulation via scene recall and/or light sensor regulation
- Supports HCL, RGBW+TW applications
- Suitable for Human Centric Lighting Applications (HCL)
- Supports DALI-2 Sensors and Couplers

Safety Certifications



EAN	Product Name
6977078993692	DALI PRO 2 IOT

More Technical Data





DALI ECO BT RTC

DALI ECO BT RTC

Advantages

- Compact light control with DALI interface
- Smart phone connection via Bluetooth® to control and configure
- Integrated clock for time based control of brightness and color temperature (HCL)
- Adaptable HCL curve with up to 24 points
- One DALI output channel (Broadcast or Groupcast)
- Up to 32 DALI luminaires connectable
- Supports up to 4 Inventronics DALI sensors and pushbutton couplers
- Daylight-dependent regulation and presence-dependent control of light
- Pushbutton interface to separately control brightness and color temperature
- Daytime depending change of brightness and color temperature (HCL)
- Suitable for Human Centric Lighting Applications (HCL)
Control the light via Smartphone
- Adjustment of all settings via smartphone
- Up to 4 timers with ON-/OFF-Time and weekday configurable
- Simplified startup thanks to predefined operation modes
- Intuitive manual dimming, switching and changing of colour temperature
- Up to 4 groups separately controllable
- Adjustable Offset for different groups
- Easy Scene creation via App
- Firmware update over-the-air via Bluetooth possible
- Integrated DALI supply
- Control of standard white or Tunable White light acc.
- DALI device type 8 (DT8)
- Selected DALI parameters changeable via APP

Safety Certifications



EAN	Product Name
6977078993753	DALIECO BT RTC CONTROL

More Technical Data





DALI-2 Sensor LS/PD HB LI

Advantages

- Light and motion sensor for luminaire installation
- Motion detection via passive IR element
- Light sensor operating range: 5 ~ 2000 lx (measured at sensor)
- Detection height up to 17 m
- Function indicator LED
- Intended for installation into a standard ½" knockout
- Design freedom due to compact size
- Protection Class IP65 (In installed condition)
- Easy to integrate in luminaire
- DALI-2 certified input device
- DALI Bus powered (No mains connection necessary)
- Multiple sensors connectable to the same DALI line
- Shutter included to optimize sensor detection
- Integreatable in light- and building management systems supporting DALI-2 sensors

Safety Certifications



EAN	Product Name
6977078993791	DALI-2 SENSOR LS/PD HB LI

More Technical Data





Advantages

- Expansion of DALI systems by 64 DALI control gears each time
- Extends the DALI line by 300 m
- Maximum power consumption in stand-by mode: 1 W
- Four versatile operating modes: Basic, Group, Extend, Touch DIM
- Basic mode: DALI-2 certified DALI converter for grouping up to 64 standard DALI driver
- Group mode: Groups up to 64 DALI drivers and up to 5 Inventronics DALI-2 sensors
- Group mode: Supports standard DALI drivers and DALI-DT8 drivers (TW / RGB (W))
- Touch DIM mode: Simple switching and dimming of up to 64 drivers.
- Powerful power supply: 130 mA DALI bus power supply
- Can be addressed via DALI

Safety Certifications



EAN	Product Name
6937186116437	DALI-2 REP LI

More Technical Data





Bluetooth NLC D4i Module Indoor

Advantages

- With/without Daylight and Occupancy Sensor D4i Module
- Bluetooth NLC enabled by Silvair
- Control of D4i drivers or DALI drivers with additional DALI bus power supply
- Intended for installation into a standard 1/2" knockout
- Works with Hubsense®
- Standard communication protocol released by Bluetooth SIG
- Design freedom due to compact size
- Easy to integrate in luminaire
- Minimize internal wiring in combination with D4i drivers
- Secured product communication granted by ioXT and PSA Certificates

Safety Certifications



EAN	Product Name
6977078990363	B NLC D HB LI
6977078990387	B NLC D LI R
6977078990448	B NLC D MB LI
6977078990462	B NLC D LB LI
6977078993425	B NLC D OF LI BK
6977078997041	B NLC D OF LI S
6977078997553	B NLC D OF LI

More Technical Data





Bluetooth NLC 0-10 Module Indoor

Advantages

- Design freedom due to compact size
- Easy to integrate in luminaire
- Minimize internal wiring in combination with 0-10V LED drivers
- With/without Daylight and Occupancy Sensor
- Bluetooth NLC
- Control of 0-10V LED drivers
- Works with Inventronics Hubsense

Safety Certifications



EAN	Product Name
6937186115959	B NLC A OF LI
6937186115973	B NLC A HB LI
6937186115997	B NLC A LI R

More Technical Data





Advantages

- Presence detection via passive IR element
- Detection height up to 4 meter
- Bluetooth NLC enabled by Silvair
- Suitable for up to 16 DALI-2 LED drivers (Part - 207) in broadcast mode
- Ambient light dependent control and presence detection
- Shutter included to optimize sensor detection
- Simplified mounting for flush device boxes
- Large motion detection range

Safety Certifications



EAN	Product Name
6977078990400	B NLC 220-240 LS/PD CI

More Technical Data



SOFTWARE

Software

Overview

Inventronics offers a comprehensive range of professional software solutions to support and configure its components.



T4T



Apps



Tuner4TRONIC

A software suite for OEMs that enables the configuration of all programmable OPTOTRONIC, ICUTRONIC, QUICKTRONIC, and POWERTRONIC LED drivers during the luminaire manufacturing process.



DALI PRO PC TOOL

Software for configuring DALI installations in combination with the DALI PROFESSIONAL control unit DALI PRO C-4 RTC or DALI PRO 2 IoT. DALI PRO 2 IoT is an innovative lighting management control technology for the IoT era.



DALI PRO CONTROL

With just a simple tap, you can easily control complex lighting scenarios: turn lights on or off, adjust brightness, change colors, or modify color temperature.



DALI Wizard

A GUI tool for setting up, analyzing, and diagnosing DALI ECG installations, used in combination with the DALI Wizard control device.



BT Config

An app that offers standalone component detection and automatic light calibration, eliminating the need for manual commissioning and adjustments of daylight-dependent controls.



BT CONTROL

Allows the control of DALI-enabled luminaires via a smartphone, including light level and color temperature adjustments, as well as the storage of individual lighting scenes.



HubSense Commissioning

The “HubSense Com” app is a tool to carry out configurations and to test light settings for the installer and the system integrator in order to intuitively commission on site Bluetooth Mesh components (QBM), which are qualified according to the standard.



PROGRAMMING TOOLS

Programming Tools



PRG-MUL2 Features

- Programmer for All Inventronics DALI and 0-10V Programmable Drivers
- Offline Programming Capability
- Automatic Programming Mode

FC CE



PRG-NFC-H Features

- For Use with Inventronics NFC Enabled Drivers
- Zhaga Book 24 Compliant
- USB Powered
- IP30
- Connects to Inventronics Multi-Programmer Software



PRG-NFC-D2 Features

- For Use with Inventronics NFC Enabled Drivers
- Zhaga Book 24 Compliant
- USB Powered
- IP42
- Connects to Inventronics Multi-Programmer Software



DALI magic Features

- USB DALI converter for Tuner4TRONIC and DALI wizard software for Windows PC
- Pushbutton to test DALI dimming without need of connection to computer
- Powered by USB or by included universal power supply
- Integrated automatic DALI supply of up to 64 devices (up to 4 if powered by USB)



CONVERTERS

Converters

DALI-2

CNV-DALI2

DALI-2 Stadium/Stage Lighting Management Solutions



UL US FC CB CE

Features

- Convert DALI-2 Signal to 0/1-10V Dimming Signal
- Comply with DALI-2 Protocol
- Powered By Auxiliary Power with 3-Wire Connection to Driver

Cat.1 Outdoor



Features

- Complies with the 4G Cat.1 wireless protocol with multiple wireless frequency bands supporting
- Supports remote configuration and OTA upgrade
- Adopts northbound/southbound communication with the platform to realize real-time data interaction
- Enables reading of power energy consumption data, including voltage, current, power and other parameters at the input and output terminals
- Supports acquisition of power maintenance and diagnostic data, such as fault modes, operating temperature, lighting duration, power model and other information
- Supports regular network-based patrol inspection to obtain the latest status of the project lighting system
- Allows scheduled execution of control strategies; strategies can be implemented locally by the Cat.1 single-lamp controller even when the network is disconnected
- Designed for use with EUM-LV driver with digital dimming function built in



Advantages

- Qualified Bluetooth mesh enabled by Silvair
- Supply voltage: 220 ~ 240 V
- Line frequency: 0 Hz | 50 Hz | 60 Hz
- Line voltage: 198 ~ 264 V
- Lifetime: up to 100,000 h
- Type of protection: IP20
- Non-isolated drivers
- Versatile QBM window driver up to 100 W and 750 mA
- Fully programmable via software (NFC)
- Very high efficiency
- High-quality dimming of 1 ~ 100 % (amplitude and/or PWM selectable by software)
- Higher quality of light thanks to < 1% output ripple current
- Fulfils safety requirement due to overload, overtemperature
- Hot Plug protection

Safety Certifications



EAN	Product Name	Nominal output power (W)	Nominal output current (mA)	Nominal output voltage (Vdc)	Efficiency (max.)	Dimensions (L×W×H)(mm)
6937186112057	OT Wi 35/220-240/400 D NFC BL L	4 ~ 38	75 ~ 400	54 ~ 240	92%	280 x 30 x 21
6937186112071	OT Wi 75/220-240/550 D NFC BL L	6.5 ~ 75	125 ~ 550	54 ~ 240	93%	280 x 30 x 21
6937186112095	OT Wi 100/220-240/750 D NFC BL L	5.4 ~ 100	100 ~ 750	54 ~ 260	94%	280 x 30 x 21

More Technical Data





Advantages

- Qualified Bluetooth mesh enabled by Silvar
- Compatible with the NLC wireless standard
- Fully programmable via software (NFC)
- High quality of light thanks to <1% output ripple current
- Suitable for installation in emergency lighting systems
- Very high efficiency
- SELV safety design

Dimming Functions

Hubsense

About OT Wi NFC BL L

This is the SELV linear LED driver, with wireless bluetooth control, NFC programmable function, current setting, and suitable for emergency lighting, It can work in Hubsense system.

Safety Certifications



EAN	Product Name	Output Power (W)	Adjustable Current Range(mA)	Min Dimming Output Current(mA)	Output Voltage (Vdc)	Efficiency (max.)	Dimensions (L×W×H)(mm)
6937186112170	OT Wi 35/220-240/1A0 NFC BL L	35	200...1050 mA	10.5	15...54 V	89.0%	280 x 30 x 21
6937186112194	OT Wi 50/220-240/1A4 NFC BL L	50	400...1400 mA	14	15...54 V	90.0%	280 x 30 x 21
6937186112217	OT Wi 80/220-240/2A1 NFC BL L	80	600...2100 mA	21	20...54 V	90.0%	280 x 30 x 21

More Technical Data





Advantages

- Line frequency: 0 Hz | 50 Hz | 60 Hz
- Versatile scope of application due to output power range of up to 150 W
- Monitoring of luminaire operating parameters
- Supply voltage: 220 ~ 240 V
- Available with output current range: up to 850 mA
- Constant Lumen Output (CLO)
- Integrated customizable thermal management (Driver Guard)
- Non-isolated drivers
- Versatile non-isolated DEXAL LED driver up to 150 W due to flexible output characteristic
- Integrated DEXAL Bus power supply for sensors and wireless radios
- Simplified luminaire design for wireless lighting control system and sensors
- Locking and unlocking of luminaire/driver data
- Advanced luminaire/driver data (power, energy, operating hours...) for analytics
- D4i, DALI parts -250, -251, -252 and -253
- Fully programmable via T4T software (NFC, DALI Interface)
- Lifetime: up to 100,000 h (temperature at Tc = 75 °C)
- High light quality: 1 ~ 100% amplitude dimming
- Wide operating temperature range: -40 ~ +65 °C
- High surge protection: up to 4 kV (L-N) / 4 kV (L/N-PE)
- Integrated inrush current limiter
- Very high efficiency (up to 96%)

Safety Certifications



EAN	Product Name	Nominal output power (W)	Nominal output current (mA)	Nominal output voltage (Vdc)	Efficiency (max.)	Dimensions (L×W×H)(mm)
6937186111890	OTI DX 100/220-240/700 D NFC IND L	23 ~ 100	200 ~ 700	64 ~ 300	93%	425 x 30 x 21
6937186111913	OTI DX 150/220-240/850 D NFC IND L	43 ~ 150	250 ~ 850	64 ~ 300	95%	425 x 30 x 21

More Technical Data





Advantages

- Integrated DEXAL Bus power supply for sensors and wireless radios
- Advanced luminaire/driver data (power, energy, operating hours...) for analytics
- Following D4i, DALI parts -250, -251, -252 and -253
- Fully programmable via T4T software (NFC, DALI Interface)
- Easy connection to different partner BMS systems
- Suitable for installation in emergency lighting systems
- Very high efficiency
- Non-isolated design

Dimming Functions

D4i, DALI, Touch DIM, Corridor

About OTI DX D NFC L

Innovative non-isolated linear driver with DEXAL technology.

Ready for luminaire design with wireless lighting controls / sensors

Including additional features such as Driver Guard, Soft Switch Off...

Safety Certifications



EAN	Product Name	Output Power (W)	Adjustable Current Range(mA)	Min Dimming Output Current(mA)	Output Voltage (Vdc)	Efficiency (max.)	Dimensions (L×W×H)(mm)
6937186111852	OTI DX 35/220-240/400 D NFC L	35	75...400 mA	4	54...240 V	90.0%	360x30x21
6937186111876	OTI DX 75/220-240/600 D NFC L	75	120...600 mA	6	54...240 V	93.0%	360x30x21

More Technical Data





Advantages

- Integrated DEXAL Bus power supply for sensors and wireless radios
- Advanced luminaire/driver data (power, energy, operating hours...) for analytics
- Following D4i, DALI parts -250, -251, -252 and -253
- Fully programmable via T4T software (NFC, DALI Interface)
- Easy connection to different partner BMS systems
- Suitable for installation in emergency lighting systems
- Very high efficiency
- SELV safety design

Dimming Functions

D4i, DALI, Touch DIM, Corridor

About OTI DX NFC L

Innovative SELV linear driver with DEXAL technology.

Ready for luminaire design with wireless lighting controls / sensors

Including additional features such as Driver Guard, Soft Switch Off...

Safety Certifications



EAN	Product Name	Output Power (W)	Adjustable Current Range(mA)	Min Dimming Output Current(mA)	Output Voltage (Vdc)	Efficiency (max.)	Dimensions (L×W×H)(mm)
6937186111937	OTI DX 35/220-240/700 NFC L	35	200...1050 mA	10.5	15...54 V	89.0%	360x30x21
6937186111951	OTI DX 50/220-240/1A4 NFC L	50	400...1400 mA	14	15...54 V	90.0%	360x30x21
6937186111975	OTI DX 80/220-240/2A1 NFC L	80	600...2100 mA	21	15...54 V	91.0%	360x30x21

More Technical Data





Advantages

- Input voltage: 220 ~ 240Vac
- Wide Output current range
- Fully programmable DALI/NFC
- Low THD <5%@ full load
- Wide ambient temp range
- DALI2 certified incl parts -251, -252 and -253
- Wide output voltage range
- CLO – Constant Lumen Output
- Very high efficiency up to 96%
- 100'000 h lifetime at max tc
- 5 years guarantee
- Suitable for Emergency Lighting
- Improved Efficiency and Power factor at partial loads
- One version to match multiple power applications with improved product performance and drivers per Circuit Braker, reducing the need of various SKUs. The 75W version can be used to replace 75/60/35/25W applications with equivalent or better performance. Same for 150W version to match 150/100/90W ones.
- Wide operating range adjustable via DALI or NFC
- CLO integrated for maximizing energy savings
- Small, slim white metal housing
- Programmable Hybrid dimming 1 ~ 100%

About OTi DALI N NFC L HE

OPTOTRONIC Linear DALI, Non-isolated, High Efficiency Power Supply is the ideal choice for linear and area fixtures for office - industrial - shop lighting requiring very high conversion efficiency, extended operative window with excellent Harmonic Distortion and Power Factor in all working conditions, dimmable via DALI interface including parts 251,252,253 for monitoring Luminaire, Energy and Diagnostic data.

Dimming Functions

DALI, TouchDIM, Corridor

Safety Certifications



EAN	Product Name	Output Power (W)	Adjustable Current Range (mA)	Output Voltage (Vdc)	Eff. @220Vac	Dimensions (L×W×H)(mm)
6937186150226	OTi DALI 75/220-240/550 N NFC L HE	3 ~ 75	35 ~ 550	54 ~ 240	96%	280 x 30 x 16
6937186150240	OTi DALI 150/220-240/1A0 N NFC L HE	6 ~ 150	100 ~ 1000	54 ~ 300	96%	360 x 30 x 21



Advantages

- Line frequency: 0 Hz | 50 Hz | 60 Hz
- Versatile scope of application thanks to an output power range of up to 300 W
- Supply voltage: 220 ~ 240 V
- Available with output current range: up to 1,000 mA
- Constant Lumen Output (CLO)
- Integrated customizable thermal management (Driver Guard)
- Non-isolated drivers
- DALI-2 certified (Part -251, -252, -253)
- Fully programmable via T4T software (NFC, DALI Interface)
- Lifetime: up to 100,000 h (temperature at Tc = 75 °C, max. 10 % failure rate)
- High light quality: 1 ~ 100% amplitude dimming and 1% output ripple current
- Wide operating temperature range: -40 ~ +55 °C
- High surge protection: up to 4 kV (L-N) / 4 kV (L/N-PE)
- Very high efficiency (up to 96%)
- Fulfill safety requirement due to overload, overtemperature
- Hot Plug protection
- Touch DIM® application: easy to control via pushbutton
- Suitable for emergency Installations (acc. to EN 60598-2-22 and IEC 61347-2-13, appendix J) thanks to DC detection (0 Hz, pulsating DC), on/off switchable

Safety Certifications



More Technical Data



EAN	Product Name	Nominal output power (W)	Nominal output current (mA)	Nominal output voltage (Vdc)	Efficiency (max.)	Dimensions (L×W×H)(mm)
6977770436589	OTi DALI 75/220-240/550 D NFC IND L	8.0 ~ 75	125 ~ 550	64 ~ 300	94%	360 x 30 x 21
6977770436503	OTi DALI 100/220-240/700 D NFC IND L	28 ~ 100	200 ~ 700	64 ~ 300	94%	360 x 30 x 21
6977770436527	OTi DALI 150/220-240/1A0 D NFC IND L	43 ~ 150	250 ~ 1000	64 ~ 300	95%	425 x 30 x 21
6977770436626	OTi DALI 150/220-240/700 D NFC IND L	43 ~ 150	200 ~ 700	64 ~ 260	94%	360 x 30 x 21
6977770436602	OTi DALI 300/220-240/1A6 D NFC IND L	80 ~ 300	250 ~ 1550	60 ~ 300	96%	360 x 45 x 28





Advantages

- Control of standard white or Tunable White light acc. DALI device type 8 (DT8)
- Fully programmable via T4T software (NFC, DALI Interface)
- High quality of light thanks to <1% output ripple current
- Very high efficiency
- Non-isolated design

About OTI DALI D NFC F L

This is the 16mm flat non-isolated linear LED driver, with DALI dimming function, current setting by NFC programming

Safety Certifications



Dimming Functions

DALI, Touch DIM, Corridor

EAN	Product Name	Output Power (W)	Adjustable Current Range(mA)	Min Dimming Output Current(mA)	Output Voltage (Vdc)	Efficiency (max.)	Dimensions (L×W×H)(mm)
6977770436787	OTI DALI 25/220-240/300 D NFC F L	25	35...300 mA	3	54...240 V	90.5%	280x30x16
6977770436749	OTI DALI 35/220-240/400 D NFC F L	35	75...400 mA	4	54...240 V	92.0%	280x30x16
6977770436763	OTI DALI 75/220-240/500 D NFC F L	75	120...500 mA	5	54...240 V	94.0%	280x30x16

More Technical Data





Advantages

- Advanced luminaire/driver data (energy, operating hours...) for analytics
- Prepared for DALI2 certified incl parts -251, -252 and -253
- Constant Lumen Output (CLO)
- Flexible current setting (LEDset)
- Fully programmable via software (DALI Interface)
- Higher quality of light thanks to <1% output ripple current
- Suitable for installation in emergency lighting systems
- Very high efficiency
- Non-isolated design

About OTI DALI D LT2 L

DALI DT8 for optimal Tuneable White/Human Centric Lighting
 Perfect lighting quality thanks to low output ripple & DALI-2 dimming
 High precision of white colour temperatures, fine tuneable via software/Tuner4TRONIC®

Dimming Functions

DALI, Touch DIM, Corridor

Safety Certifications





Advantages

- Power Range of 40W, 80W, 100W
- Input Voltage: 220 – 240V
- Suitable for luminaires of protection class I
- Fully programmable via software (DALI)
- DALI-2 Luminaire Data (251) & Energy Diagnostic (252-253)
- Dip switch for 8 output currents per model
- Very high efficiency of up to 95%
- High-quality dimming of 1-100 %
- Higher quality of light thanks to < 3% output ripple current
- Installation in emergency lighting systems according to IEC 61347-2-13, appendix J

Dimming Functions

DALI, TouchDIM, Corridor

About IT DALI N DS L

One version to match multiple power applications with improved product performance and drivers per Circuit Breaker, reducing the need of various SKUs. The 75W version can be used to replace 75/35/25W applications with equivalent or better performance. Same for 150W version to match 150/100 ones.

Safety Certifications



EAN	Product Name	Output Power (W)	Adjustable Current Range(mA)	Min Dimming Output Current(mA)	Output Voltage (Vdc)	Efficiency (max.)	Dimensions (L×W×H)(mm)
6937186168405	IT DALI 40/220-240/0A45/N DS L	40	100...450 mA	4.5	54 - 240 V	92.50%	280x30x21
6937186168429	IT DALI 80/220-240/0A55/N DS L	80	150...550 mA	5.5	90 - 240 V	94.50%	280x30x21
6937186168443	IT DALI 100/220-240/0A8/N DS L	100	300...800 mA	8	90 - 240 V	94.50%	280x30x21



IT DALI LT2 L

Advantages

- With Touch DIM and Corridor Function
- Constant Lumen Output (CLO)
- Fully programmable via software (DALI Interface)
- Flexible current setting (LEDset)
- Lifetime: up to 100,000h (@tc=65 °C)
- High efficiency
- Wide operating range
- SELV design

Dimming Functions

DALI, Touch DIM, Corridor

About IT DALI LT2 L

This is the SELV linear LED driver, with DALI dimming function, current setting by LEDset.

Safety Certifications



EAN	Product Name	Output Power (W)	Adjustable Current Range(mA)	Min Dimming Output Current(mA)	Output Voltage (Vdc)	Efficiency (max.)	Dimensions (L×W×H)(mm)
6977770430471	IT DALI 25/220-240/500 LT2 L	25	200...500 mA	5	20...54 V	92.0%	280x30x21
6977770430495	IT DALI 40/220-240/750 LT2 L	40	300...750 mA	7.5	20...54 V	92.0%	280x30x21
6977770430457	IT DALI 75/220-240/1A4 LT2 L	75	600...1400 mA	14	20...54 V	92.0%	280x30x21
6977770430518	IT DALI 100/220-240/2A1 LT2 L	100	1000...2100 mA	21	20...54 V	92.0%	360x30x21

More Technical Data





Advantages

- High quality light with very low ripple
- Flexible with 1 driver offers 4 output currents
- Low THD 10% @ full load
- Input voltage: 220 ~ 240 VAC
- Ambient temp range ta: -25 to +50 °C
- Low LF-ripple 5%
- 5 years guarantee
- Non-isolated drivers
- HF LI Sensor (Light- and motion detection via radar)
- StepDIM function for different light levels
- Different operating modes for daylight- or motion-dependent switching selectable
- Motion detection range adjustable
- Detection height up to 6 meter
- KIT including driver, HF Sensor and cabling
- Non isolated system for energy saving applications
- Very high efficiency
- Enable slim fixture design with flat 21 mm height metal housing
- Long lasting and high reliability

Safety Certifications



EAN	Product Name	Nominal output power (W)	Nominal output current (mA)	Nominal output voltage (Vdc)	Efficiency (max.)	Dimensions (L×W×H)(mm)
6937186111777	IT DIM 40/HF LS/PD KIT	8 ~ 42	200 ~ 350	40 ~ 120	86.5%	210 x 30 x 21
6937186111791	IT DIM 60/HF LS/PD KIT	18 ~ 61.3	201 ~ 350	90 ~ 175	92%	280 x 30 x 21
6937186111814	IT DIM 75/HF LS/PD KIT	31.5 ~ 75.6	202 ~ 350	90 ~ 216	93%	280 x 30 x 21

More Technical Data





Advantages

- Class P / 2 family in 40 / 60 and 75W
- 5-100% dimming incl. dim to off
- Dipswitches for current setting (4)
- low flicker index below 5%
- wide ta range -25 ~ +50°C
- 100'000 hours lifetime @ Tc65
- UL and CB approved
- 5 years guarantee

Dimming Functions

0-10V / PWM dimming

Safety Certifications



EAN	Product Name	Nominal output power (W)	Nominal output current (mA)	Nominal output voltage (Vdc)	Efficiency (max.)	Dimensions (L×W×H)(mm)
6977078994958	IT DIM 40/120-277/800 CS L	40	500 ~ 800	27 ~ 54	85%	210 x 30.21
6977078994972	IT DIM 60/120-277/1A2 CS L	60	900 ~ 1200	27 ~ 54	86%	280 x 30.21
6977078994996	IT DIM 75/120-277/1A6 CS L	75	1300 ~ 1600	27 ~ 54	87%	280 x 30.21



Advantages

- Power Level: 25W, 40W (Compact)
20W, 30W, 50W, 85W (Linear)
- Input voltage 120 ~ 277V
- Surge: 2 / 4 kV
- IP Rating: IP20
- Dimming: 1% dimming capability with Dim to Off | 0-10V /
- PWM dimming
- 1% dimming capability with Dim to Off
- Programming via Inventronics PC programmer / Tuner4TRONIC
- Very low ripple for high lighting quality
- 12V Aux included
- Long lasting and high reliability
- UL Class 2

Safety Certifications



EAN	Product Name	Nominal output power (W)	Nominal output current (mA)	Nominal output voltage (Vdc)	Efficiency (max.)	Dimensions (L×W×H)(mm)
6937186100146	LUM-020S100MTF	20	100 ~ 1050	10 ~ 55	85%	280 x 29 x 26
6937186100184	LUM-025S130MT	25	100 ~ 1300	10 ~ 56	82%	126 x 60.1 x 24
6937186100160	LUM-025S130MTG	25	100 ~ 1300	10 ~ 56	82%	126 x 60.1 x 24
6937186100085	LUM-030S100MTF	30	100 ~ 1050	10 ~ 55	85%	280 x 29 x 26
6937186100207	LUM-040S150MT	40	300 ~ 1500	10 ~ 56	84%	126 x 60.1 x 24
6937186100221	LUM-040S150MTG	40	300 ~ 1500	10 ~ 56	84%	126 x 60.1 x 24
6937186100108	LUM-050S140MTF	50	400 ~ 1400	10 ~ 55	86%	280 x 29 x 26
6937186100122	LUM-085S240MTF	85	700 ~ 2400	10 ~ 55	91%	424 x 30 x 26

More Technical Data





IT 0-10 N R P65 (Highbay)

Advantages

- Non-Isolated Design with Low Residual Output Voltage < 2 kV
- No Afterglow (Anti glow) on Specific Models
- Ultra-High Efficiency (Up to 96%)
- Full Power at Wide Output Current Range (Constant Power)
- Adjustable Output Current (AOC) with T4T(Tuner4TRONIC)
- Isolated 0(1)-10V/PWM/Resistor/AstroDIM(Timer)
- Adjustable Dimming Curve
- Integrated Dip Switch for Power Selection
- Auxiliary Power Supply: 12Vdc, 200mA on Specific Models
- 3 CCT Selection on Specific Models
- 3 Angle Selection on Specific Models
- End-of-Life Indicator
- Override Dimming
- Constant Lumen
- Input Surge Protection: DM 6kV, CM 6kV
- All-Around Protection: OTP, OVP, SCP
- 5 Years Warrant

Dimming Functions

Isolated 0(1)-10V/PWM/Resistor/AstroDIM(Timer)

Safety Certifications



About IT 0-10 N R P65(Highbay)

The IT 0-10 100/100-277/N R P65 series is a 100W constant-current, IP65 rated LEDdriver with a 90-305Vac input range and excellent power factor. Designed for industrial applications, it provides auxiliary power supply and dim-to-off functionality for low-voltage sensors. Dimming interface suitable for 0(1)-10V, PWM, resistive, and AstroDIM modes. With high efficiency and a compact metal housing, it operates cooler, enhancing reliability and extending product life. Integrated protections include input surge, output overvoltage, short circuit, and over-temperature safeguards for trouble-free operation.



EAN	Product Name	Output Power (W)	Adjustable Current Range(mA)	Min Dimming Output Current(mA)	Output Voltage (Vdc)	Efficiency (max.)	Dimensions (L×W×H) (mm)
6937186156525(1)*	IT 0-10 100/100-277/0A5/N DS R P65 U	100	33-500	33	180-300	95.5%	125 x 125 x 60
6937186156587(1)	IT 0-10 100/100-277/0A5/N DS R P65 V	100	33-500	33	180-300	95.5%	125 x 125 x 60
6937186156563(1)	IT 0-10 100/100-277/0A5/N 2C DS R P65 U A12 CCT	100	33-500	33	180-300	95.5%	125 x 125 x 60
6937186156624(1)	IT 0-10 100/100-277/0A5/N 2C DS R P65 V A12 CCT	100	33-500	33	180-300	95.5%	125 x 125 x 60
6937186185303	IT 0-10 100/100-277/0A5/N DS R P65 U	100	33-500	33	180-300	95.5%	125 x 125 x 60
6937186185341	IT 0-10 100/100-277/0A5/N DS R P65 V	100	33-500	33	180-300	95.5%	125 x 125 x 60
6937186185327	IT 0-10 100/100-277/0A5/N 2C DS R P65 U A12 CCT	100	33-500	33	180-300	95.5%	125 x 125 x 60
6937186185365	IT 0-10 100/100-277/0A5/N 2C DS R P65 V A12 CCT	100	33-500	33	180-300	95.5%	125 x 125 x 60
6937186156761(1)	IT 0-10 150/100-277/0A75/N DS R P65 U	150	50-750	50	180-300	96.0%	125 x 125 x 60
6937186156822(1)	IT 0-10 150/100-277/0A75/N DS R P65 V	150	50-750	50	180-300	96.0%	125 x 125 x 60
6937186156808(1)	IT 0-10 150/100-277/0A75/N 2C DS R P65 U A12 CCT	150	50-750	50	180-300	96.0%	125 x 125 x 60
6937186156860(1)	IT 0-10 150/100-277/0A75/N 2C DS R P65 V A12 CCT	150	50-750	50	180-300	96.0%	125 x 125 x 60
6937186185389	IT 0-10 150/100-277/0A75/N DS R P65 U	150	50-750	50	180-300	96.0%	125 x 125 x 60
6937186185426	IT 0-10 150/100-277/0A75/N DS R P65 V	150	50-750	50	180-300	96.0%	125 x 125 x 60
6937186185402	IT 0-10 150/100-277/0A75/N 2C DS R P65 U A12 CCT	150	50-750	50	180-300	96.0%	125 x 125 x 60
6937186185440	IT 0-10 150/100-277/0A75/N 2C DS R P65 V A12 CCT	150	50-750	50	180-300	96.0%	125 x 125 x 60
6937186157003(1)	IT 0-10 200/100-277/0A9/N DS R P65 U	200	67-900	67	180-300	96.50%	125 x 125 x 60
6937186157065(1)	IT 0-10 200/100-277/0A9/N DS R P65 V	200	67-900	67	180-300	96.50%	125 x 125 x 60
6937186157041(1)	IT 0-10 200/100-277/0A9/N 2C DS R P65 U A12 CCT	200	67-900	67	180-300	96.50%	125 x 125 x 60
6937186157102(1)	IT 0-10 200/100-277/0A9/N 2C DS R P65 V A12 CCT	200	67-900	67	180-300	96.50%	125 x 125 x 60
6937186185464	IT 0-10 200/100-277/0A9/N DS R P65 U	200	67-900	67	180-300	96.50%	125 x 125 x 60
6937186185501	IT 0-10 200/100-277/0A9/N DS R P65 V	200	67-900	67	180-300	96.50%	125 x 125 x 60
6937186185488	IT 0-10 200/100-277/0A9/N 2C DS R P65 U A12 CCT	200	67-900	67	180-300	96.50%	125 x 125 x 60
6937186185525	IT 0-10 200/100-277/0A9/N 2C DS R P65 V A12 CCT	200	67-900	67	180-300	96.50%	125 x 125 x 60
6937186157249(1)	IT 0-10 240/100-277/1A1/N DS R P65 U	240	80-1100	80	180-300	96.0%	126 x 125 x 60
6937186157300(1)	IT 0-10 240/100-277/1A1/N DS R P65 V	240	80-1100	80	180-300	96.0%	127 x 125 x 60
6937186157287(1)	IT 0-10 240/100-277/1A1/N 2C DS R P65 U A12 CCT	240	80-1100	80	180-300	96.0%	128 x 125 x 60
6937186157348(1)	IT 0-10 240/100-277/1A1/N 2C DS R P65 V A12 CCT	240	80-1100	80	180-300	96.0%	129 x 125 x 60
6937186185549	IT 0-10 240/100-277/1A1/N DS R P65 U	240	80-1100	80	180-300	96.0%	130 x 125 x 60
6937186185587	IT 0-10 240/100-277/1A1/N DS R P65 V	240	80-1100	80	180-300	96.0%	131 x 125 x 60
6937186185563	IT 0-10 240/100-277/1A1/N 2C DS R P65 U A12 CCT	240	80-1100	80	180-300	96.0%	132 x 125 x 60
6937186185600	IT 0-10 240/100-277/1A1/N 2C DS R P65 V A12 CCT	240	80-1100	80	180-300	96.0%	133 x 125 x 60

*(1): This model is available for sale in Mainland China only.



Advantages

- Power Range of 40W, 60W
- Input Voltage: 100 – 240V
- Suitable for luminaires of protection class I
- Fully programmable via software (DIG)
- Inventronics Digital Dimming V2.0, UART Based Communication Protocol Compliant with T/CSA-051
- Always-on Auxiliary Power: 4Vdc, 500mA
- Integrated Power Monitoring with High Accuracy up to $\pm 3\%$
- High-quality dimming of 10...100 %

About IT 0-10 DIG

The IT DIG 100-240 R V A04 is constant-power, IP65 rated LED drivers that operates from 90-264Vac input with excellent power factor. It is created for many lighting applications including explosion-proof lighting and low bay, etc.

The high efficiency of these drivers and compact metal case enables them to run cooler, significantly improving reliability and extending product life.

To ensure trouble-free operation, protection is provided against input surge, output over voltage, short circuit, and over temperature.

Dimming Functions

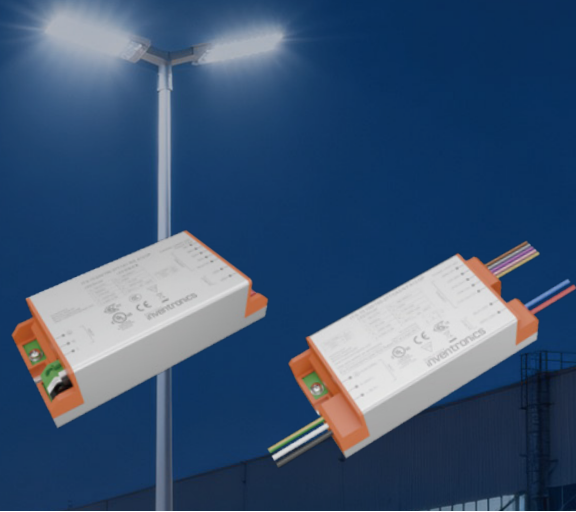
- Inventronics Digital Dimming V2.0

Safety Certifications



EAN	Product Name	Output Power (W)	Adjustable Current Range(mA)	Min Dimming Output Current(mA)	Output Voltage (Vdc)	Efficiency (max.)	Dimensions (L×W×H)(mm)
6937186158727	IT DIG 40/100-240/1A05 R V A04	40	70-1050	70	24-57	88.0%	φ75 x 32
6937186158741	IT DIG 60/100-240/1A5 R V A04	60	105-1500	105	24-57	89.0%	φ75 x 32

IT 0-10 Non-isolated BRICK



Advantages

- Non-Isolated Design with Low Residual Output Voltage < 2 kV
- No Afterglow on Specific Models
- Ultra High Efficiency (Up to 97%)
- Full Power at Wide Output Current Range (Constant Power)
- Adjustable Output Current (AOC) with T4T (Tuner4TRONIC)
- Dim-to-Off with Standby Power ≤ 0.5 W
- Adjustable Dimming Curve
- Always-on Auxiliary Power: 12Vdc, 200mA
- End-of-Life Indicator
- Override Dimming
- Constant Lumen
- Additional port (BM+) for current setting via external Dip Switch
- Additional port (OP+) for external Light Sensor
- Input Surge Protection: DM 6kV, CM 6kV
- All-Around Protection: OTP, OVP, SCP

Dimming Functions

- Isolated 0(1)-10V/PWM/Resistor/AstroDIM(Timer)

Safety Certifications



About IT 0-10 Non-isolated BRICK

The BRICK IT 0-10 /100-277/N y series is a constant-current and IP20 rated LED driver that operates from 90-305Vac input with excellent power factor. Created for area lighting application, this family provides an auxiliary voltage and dim-to-off functionality for powering low voltage sensors. The dimming control supports 0(1)-10V, PWM dimming, resistor dimming, and AstroDIM dimming. The high efficiency of these drivers and compact metal case enables them to run cooler, significantly improving reliability and extending product life. To ensure trouble-free operation, protection is provided against input surge, output over voltage, short circuit, and over temperature.

EAN	Product Name	Output Power (W)	Connection	Adjustable Current Range(mA)	Min Dimming Output Current(mA)	Output Voltage (Vdc)	Efficiency (max.)	Dimensions (L×W×H) (mm)
6937186162281	IT 0-10 100/100-277/0A5/N E A12 OP	100	Push Terminal	33-500	33	180-300	96.0%	120.6 x 55 x 33
6937186162304	IT 0-10 150/100-277/0A75/N E A12 OP	150	Push Terminal	50-750	50	180-300	96.5%	120.6 x 55 x 33
6937186162328	IT 0-10 200/100-277/0A9/N E A12 OP	200	Push Terminal	67-900	67	180-300	96.0%	135.6 x 55 x 33
6937186162342	IT 0-10 240/100-277/1A1/N E A12 OP	240	Push Terminal	80-1100	80	180-300	97.0%	135.6 x 55 x 33
6937186162366	IT 0-10 320/100-277/1A6/N E A12 OP	320	Push Terminal	107-1600	107	180-300	96.5%	176.6 x 55 x 33
6937186162885	IT 0-10 100/100-277/0A5/N F A12 OP	100	Flying Leads	33-500	33	180-300	96.0%	120.6 x 55 x 33
6937186162908	IT 0-10 150/100-277/0A75/N F A12 OP	150	Flying Leads	50-750	50	180-300	96.5%	120.6 x 55 x 33
6937186162922	IT 0-10 200/100-277/0A9/N F A12 OP	200	Flying Leads	67-900	67	180-300	96.0%	135.6 x 55 x 33
6937186162946	IT 0-10 240/100-277/1A1/N F A12 OP	240	Flying Leads	80-1100	80	180-300	97.0%	135.6 x 55 x 33
6937186162960	IT 0-10 320/100-277/1A6/N F A12 OP	320	Flying Leads	107-1600	107	180-300	96.5%	176.6 x 55 x 33





Advantages

- High efficiency up to 96%
- Input Voltage Range: 108 ~ 305Vac
- Fix output of 700mA
- Long life time
- Input Surge Protection: DM 6kV, CM 6kV
- Suitable for Luminaires with Protection Class I
- IP67

About EM P7 G2

The EM P7 G2 series is constant-current LED driver that operates from 108-305Vac and providing a stable, efficient solution for outdoor area lighting.

Dimming Functions

Not relevant

Safety Certifications



Output Power (W)	Product Name	Adjustable Current Range(mA)	Output Voltage Range (Vdc)	Eff.@ 220Vac	Lifetime (hours)	Dimensions (L×W×H)(mm)
100	EM 100/120-277/700 P7 G2	700	100 ~ 143	93.5%	50,000 Tc=75°C	143.5 x 56 x 33
150	EM 150/120-277/700 P7 G2	700	150 ~ 215	94.5%	50,000 Tc=75°C	143.5 x 56 x 33
200	EM 200/120-277/700 P7 G2	700	200 ~ 285	95.5%	50,000 Tc=75°C	150.5 x 56 x 33
240	EM 250/120-277/700 P7 G2	700	240 ~ 343	96.0%	50,000 Tc=75°C	150.5 x 56 x 33



OT FIT D NFC IND L

Advantages

- Line frequency: 0 Hz | 50 Hz | 60 Hz
- Versatile scope of application due to output power range of up to 300 W
- Supply voltage: 220 ~ 240 V
- Available with output current range: up to 1,600 mA
- Constant Lumen Output (CLO)
- Non-isolated drivers
- Flexible and future-proof current setting via NFC and LT2
- Lifetime: up to 100,000 h (temperature at Tc = 75 °C, max. 10 % failure rate)
- Wide operating temperature range: -40 ~ +65 °C
- High quality of light thanks to 1% output ripple current
- High surge protection: up to 4 kV (L-N) / 4 kV (L/N-PE)
- Very high efficiency (up to 96%)
- Integrated inrush current limiter
- Fulfill safety requirement due to overload, overtemperature

Safety Certifications



EAN	Product Name	Nominal output power (W)	Nominal output current (mA)	Nominal output voltage (Vdc)	Efficiency (max.)	Dimensions (L×W×H)(mm)
6937186103703	OT FIT 75/220-240/550 D NFC IND L	8.0 ~ 75	125 ~ 550	64 ~ 300	94%	360 x 30 x 21
6977770438309	OT FIT 100/220-240/700 D NFC IND L	28 ~ 100	200 ~ 700	64 ~ 300	96%	360 x 30 x 21
6977770438323	OT FIT 150/220-240/1A0 D NFC IND L	43 ~ 150	250 ~ 1000	64 ~ 300	96%	360 x 30 x 21
6937186103727	OT FIT 300/220-240/1A6 D NFC IND L	40 ~ 300	250 ~ 1550	60 ~ 300	96%	360 x 46 x 28

More Technical Data





Advantages

- Very high Efficiency up to 97%
- Current adjustable via NFC
- CLO integrated for maximizing energy savings
- Small, slim white metal housing
- Suitable for emergency lighting units
- Wide Output current range
- Low THD ~ 4.7% @ full load
- MultiLumen function
- Input voltage: 220 ~ 240VAC
- Ambient temp range ta: -25 ~ +55°C
- Wide output voltage range
- CLO – Constant Lumen Output
- Fixed output (no dimming)
- 5 years guarantee

About OT FIT N NFC L HE

OPTOTRONIC Linear OT FIT Non isolated High Efficiency Power Supply is the ideal choice for linear and area fixtures for office - industrial - shop lighting requiring very high conversion efficiency, extended operative window with excellent Harmonic Distortion and Power Factor in all working conditions

Dimming Functions

Not relevant

Safety Certifications



EAN	Product Name	Nominal output power (W)	Nominal output current (mA)	Nominal output voltage (Vdc)	Efficiency (max.)	Dimensions (L×W×H)(mm)
6937186128447	OT FIT 75/220-240/550 N NFC L HE	4 ~ 75	35 ~ 550	54 ~ 240	95.1%	280 x 30 x 16
6937186128461	OT FIT 150/220-240/1A0 N NFC L HE	28 ~ 150	200 ~ 1000	64 ~ 300	97%	280 x 30 x 21

More Technical Data





Advantages

- Dip switch for 4 output currents per model
- High light quality thanks to low ripple
- PF > 0.95, Low THD < 10% @ full load
- Excellent price/quality/watt ratio
- CCT selection
- Suitable for Class I luminaires

Dimming Functions

Not relevant

Safety Certifications



Product Name	Output Power (W)	Adjustable Current Range (mA)	Min Dimming Output Current (mA)	Output Voltage (Vdc)	Eff. @220Vac	Dimensions (L×W×H)(mm)
EM FIT 18/220-240/0A35/N CS L CCT	18	200/250/300/350	not relevant	24 ~ 54	87%	168 x 30 x 21
EM FIT 40/220-240/0A35/N CS L CCT	40	200/250/300/350	not relevant	40 ~ 120	90%	168 x 30 x 21
EM FIT 60/220-240/0A35/N CS L CCT	60	200/250/300/350	not relevant	90 ~ 175	90%	168 x 30 x 21
EM FIT 75/220-240/0A55/N CS L CCT	75	350/400/500/550	not relevant	90 ~ 216	91%	210 x 30 x 21



Advantages

- Dip switch for 4 output currents per model
- High light quality thanks to low ripple
- PF > 0.95, Low THD < 10% @ full load
- Excellent price/quality/watt ratio
- Suitable for Class I luminaires
- SELV and non isolated (N) versions

Dimming Functions

Not relevant

Safety Certifications



Product Name	Output Power (W)	Adjustable Current Range (mA)	Min Dimming Output Current (mA)	Output Voltage (Vdc)	Eff. @220Vac	Dimensions (L×W×H)(mm)
EM FIT 18/220-240/0A35/N CS L	18	200/250/300/350	not relevant	24 ~ 54	87%	168 x 30 x 21
EM FIT 40/220-240/0A35/N CS L	40	200/250/300/350	not relevant	40 ~ 120	90%	168 x 30 x 21
EM FIT 60/220-240/0A35/N CS L	60	200/250/300/350	not relevant	90 ~ 175	90%	168 x 30 x 21
EM FIT 75/220-240/0A55/N CS L	75	350/400/500/550	not relevant	90 ~ 216	91%	210 x 30 x 21
EM FIT 18/220-240/0A35 CS L	18	200/250/300/350	not relevant	27 ~ 51	87%	168 x 30 x 21
EM FIT 40/220-240/0A8 CS L	40	500/600/700/800	not relevant	27 ~ 51	90%	168 x 30 x 21
EM FIT 60/220-240/1A2 CS L	60	900/1050/1100/1200	not relevant	27 ~ 51	90%	210 x 30 x 21
EM FIT 75/220-240/1A6 CS L	75	1300/1400/1500/1600	not relevant	27 ~ 51	91%	280 x 30 x 21

PU-10Kx05KBxA



■ Features

- 90-305Vac Working Input Voltage
- Uoc=10kV & In=5kA
- Certified for both EN 61643-11 - T2 & T3
- Protection Mode for TN, TT and IT-Systems
- Available for Series & Parallel Installation
- Available for Class I & Class II luminaires
- Double Thermally Protected
- End-of-life LED Indicator
- High Temperature, 85°C Maximum Surface Temp
- Input Over Voltage Protection at 440Vac with 48 Hours
- IP66 / IP67

PU-20Kx10KTxx



■ Features

- Compatible with Inventronics LED Drivers
- 90-305Vac Working Input Voltage
- 15 kA Maximum, 10 kA Nominal (15 strikes) Surge Current Rating Using Industry Standard 8/20µs Wave
- UL1449 Type 4, EN 61643-11 – Surge Protective Devices T2 & T3
- IEEE C62.41.2 Location Category C High
- High Temperature, 85°C Maximum Ambient
- Flameproof Plastic Enclosure
- IP66

PU-20KS10KHT



■ Features

- Compatible with Inventronics LED Drivers
- 90-305Vac Working Input Voltage
- DM, CM Surge Protection Mode
- Maximum Discharge Current (Imax) 20kA, 8/20µs
- Nominal Discharge Current (In) 10kA, 8/20µs
- UL1449 Type 5 Recognized Component
- IEEE C62.41.2 Location Category C High Exposure
- High Temperature, 85°C Maximum Surface Temp Rating

PS-20KS10KHT



■ Features

- Compatible with Inventronics LED Drivers
- 249-528Vac Working Input Voltage
- DM, CM Surge Protection Mode
- Maximum Discharge Current (Imax) 20kA, 8/20µs
- Nominal Discharge Current (In) 10kA, 8/20µs
- UL1449 Type 5 Recognized Component
- IEEE C62.41.2 Location Category C High Exposure
- High Temperature, 85°C Maximum Surface Temp Rating

SPD G3



SPD G3

SPD P5 G3



■ Features

- Mains Voltage to 320Vac
- Suitable for Luminaries of Protection Class I/II
- Fully LED Driver Protection by Up <2kV
- High Surge Protection of Up to 20 kV / 10 kA (L-N);
Comply with IEC 61643-11 - T3
- Maximum Surge Protection of Up to 20 kA;
Comply with IEC 61643-11 - T2
- TÜV Approved Acc. to IEC 61643-11 – T2 & T3
- IP20(SPД G3)
- IP65(SPД P5 G3)



Advantages

- Module efficacy: up to 193 lm/W
- Available with luminous flux: 1,400 lm on 280 mm
- Available with luminous flux: 2,800 lm on 560 mm
- Available with color temperature: 4,000 K, 5,000 K or 6,500 K
- High initial color consistency: ≤ 3 SDCM
- Average lifetime (L80 B50): 100,000 h (temperature at $T_c = 60^\circ\text{C}$)
- CE marked, ENEC certified
- LED module for robust application
- Very long lifetime
- Reliable system between IND LED module and Optotronic
- OT IND driver
- Adjustable luminous flux, efficacy and lifetime

Safety Certifications



More Technical Data





PrevaLED Linear G6

Advantages

- Module efficacy: up to 173 lm/W
- Available with luminous flux: 245 lm on 62 mm, 275 lm on 70 mm
- Available with luminous flux: 1,100 lm or 2,000 lm on 280 mm
- Available with luminous flux: 2,200 lm or 4,000 lm on 560 mm
- Color rendering index: 90
- High initial color consistency: ≤ 3 SDCM
- Average lifetime (L80 B50): 70,000 h (temperature at $T_c = 50^\circ\text{C}$)
- Slim luminaire design by small and flexible form factor
- High homogeneity thanks to small LED pitch
- High voltage (HV) optimized for non-isolated, low voltage (LV) optimized for SELV operation
- Adjustable luminous flux, efficacy and lifetime
- Direct the light where it's needed while using PrevaLED
- Linear Optics

Safety Certifications



More Technical Data





Advantages

- High-performance module for outdoor and street lighting
- Dimensions aligned with Zhaga book 15 and 19
- Compatible with third party optics, e.g. from LEDIL, BJB
- High module efficiency for demanding lighting solutions
- Thermal monitoring with NTC on LED Module
- Several color temperatures: 1,800 K, 2,200K, 2,700 K, 3,000 K, 4,000 K, 5,700 K and 6,500 K and with CRI > 70 and CRI > 80
- Initial color consistency: ≤ 5 SDCM
- PL Brick HP: focused on combination of high robustness and high lumen maintenance
- PL Brick HP HE: focused on combination of high efficiency and high lumen output
- PL Brick HP UHE: focused on combination of high efficiency, high lumen output and improvement of the H2S Robustness

About PL Brick

PL Brick is an LED Module series for Outdoor lighting application based on the Zhaga Standard

Different configurations based on LED quantities, CCT, CRI, LED Technology are available.

Complying with Zhaga Book 15 (IP00 version) and Book 19 (IP66 version with dedicated optics)

Furthermore, PL Brick is also available with 2 different LED Strings for dual channels systems and integration into Tunable White applications

Safety Certifications



PL Brick HP

Product Name	Single Color (K)	Nominal Voltage (V)	Nominal Current (A)	On-Mode Power (W)	Luminous Efficacy (lm/W)	Luminous Flux (lm)	Number of LEDs Per Module
PL-BRICK HP 1000 740 2x2	4000	11.3	0.53	6.0	178	1067	4
PL-BRICK HP 1900 740 2x4	4000	22.6	0.53	12.0	178	2140	8
PL-BRICK HP 2850 740 2x6	4000	34.0	0.53	18.0	179	3225	12
PL-BRICK HP 3800 740 2x8	4000	45.3	0.53	24.0	179	4290	16
PL-BRICK HP 2850 740 2X6 IP G2	4000	34.0	0.53	18.0	179	3225	12

PL Brick HP HE

Product Name	Single Color (K)	Nominal Voltage (V)	Nominal Current (A)	On-Mode Power (W)	Luminous Efficacy (lm/W)	Luminous Flux (lm)	Number of LEDs Per Module
PL-BRICK HP 1900 740 2x4 HE	4000	22.6	0.53	12.0	192	2300	8
PL-BRICK HP 2850 740 2x6 HE	4000	34.0	0.53	18.0	192	3450	12
PL-BRICK HP 3800 740 2x8 HE	4000	45.3	0.53	24.0	192	4600	16
PL-BRICK HP 7500 740 3x8 HE IP	4000	66.8	0.53	35.9	183	7100	24

PL Brick HP HE 2CH

Product Name	Single Color (K)	Nominal Voltage (V)	Nominal Current (A)	On-Mode Power (W)	Luminous Efficacy (lm/W)	Luminous Flux (lm)	Number of LEDs Per Module
PL-BRICK HP 3000 722-740 2X4 HE 2CH	2200	23	0.35	8.1	155	1250	2x4
	4000	23	0.35	8.1	190	1550	
PL-BRICK HP 6000 722-740 2X8 HE 2CH	2200	45	0.35	16.2	155	2510	2x8
	4000	45	0.35	16.2	190	3000	

PrevaLED Brick UHE

Product Name	Single Color (K)	Nominal Voltage (V)	Nominal Current (A)	On-Mode Power (W)	Luminous Efficacy (lm/W)	Luminous Flux (lm)	Number of LEDs Per Module
PL-BRICK HP 1000 740 2x2 UHE	4000	11.1	0.53	5.9	207	1220	4
PL-BRICK HP 1900 740 2x4 UHE	4000	22.1	0.53	11.7	209	2440	8
PL-BRICK HP 2850 740 2x6 UHE	4000	33.0	0.53	17.5	209	3660	12
PL-BRICK HP 3800 740 2x8 UHE	4000	44.0	0.53	23.3	209	4880	16
PL-BRICK HP 2850 740 2x6 UHE IP	4000	33.0	0.53	17.5	209	3660	12
PL-BRICK HP 7500 740 3x8 UHE IP	4000	65.7	0.53	34.8	210	7320	24

▶ APAC Region

Inventronics Hangzhou - Headquarters

Inventronics Science and Technology Park, #459 Jianghong Road, Binjiang District, Hangzhou, Zhejiang, China, 310052
Tel: +86-571-56565800
E-mail: sales@inventronicsglobal.com

Inventronics Shenzhen

2F,Block B,Jianxing Technology Building,No.3151 Shahe West Road,Nanshan District, Shenzhen
Tel: +86-571-56565800
E-mail: sales@inventronicsglobal.com

Inventronics Indonesia

JB Tower 10th floor
Jl. Kebon Sirih no. 48-50 Gambir,Jakarta, 10110, Indonesia
Tel: +62 21 5095 8096
Email: id-sales@inventronicsglobal.com

Inventronics Singapore

7 Holland Village Way,
Lobby B, #05-03 / 04 / 05,
Singapore 275748
Tel: +65 9337 5247
E-mail: sg-sales@inventronicsglobal.com

Inventronics Guangzhou

Room 1105-1107, Clifford Corporate Center Building
No. 15, Fuhua Road, Clifford Estate 511496 Panyu,Guangzhou
City, Guangdong Province, PRC
E-mail: ds_mktg@inventronicsglobal.com

Inventronics Japan

Regus Business Center, Shin Kokusai Building 8F, 3-4-1
Marunouchi, Chiyoda-Ku, Japan 100-0005
Tel: +81-9055297496
Email: jp-sales@inventronicsglobal.com

Inventronics Korea

Suite-615, 501, Teheran-ro, Gangnam-gu, Seoul, Republic of
Korea (06168)(V-flex)
E-mail: kr-sales@inventronicsglobal.com

Inventronics Malaysia

Level 4, Uptown 7, Jalan SS21/39, Damansara Utama,
47400 Petaling Jaya, Selangor, Malaysia
Tel: +6012 398 1085
E-mail: my-sales@inventronicsglobal.com

▶ Europe Region

Inventronics Netherlands

Polluxstraat 21, 5047 RA Tilburg, The Netherlands
Tel: +31-857-470-061
Email: eu-sales@inventronicsglobal.com

Inventronics Italy

Via Castagnole 65/A, 31100 Treviso, Italy
Email: support@inventronicsglobal.com

Inventronics Germany

Parking 31-33, 85748 Garching, Germany
Email: support@inventronicsglobal.com

Inventronics France

18 Rue Gaston Romazzotti, 67120 Molsheim, France
Tel: +33 3 68 41 88 99
Email: support@inventronicsglobal.com

▶ Americas Region

Inventronics USA

2825 S Tulsa Ave. Oklahoma City, OK 73108 USA
Tel: +1-405-600-7480
E-mail: usa-sales@inventronicsglobal.com

Inventronics Brazil

Barueri/SP, Brazil
Tel: +55(11)2680-8310
E-mail: brazilsales@inventronicsglobal.com

Inventronics Mexico

Carretera San Martín de las Flores #520
Building 8A Parque Industrial Prologis El Salto
San Pedro Tlaquepaque, Jalisco, Mexico
Tel: +521 3338634039
E-mail: usa-sales@inventronicsglobal.com

▶ MEA Region

Inventronics UAE

#405 E wing HQ Building, DSO, Dubai, UAE
E-mail: support@inventronicsglobal.com

▶ India Region

Inventronics India

Head Office: 4th & 5th Floor, B-Wing, Skyheights, Valipeer Road, Kalyan (west), Pin Code-421301
Factory: Survey No.15, All India Logistics Park, Janval Village, Lonad Village Road, Taluka- Bhiwandi -421 302-Thane
Tel: +91-9845054416
E-mail: in-sales@inventronicsglobal.com



Scan this QR code for more regional sales contacts.



inventronicsglobal.com