

Features

- LED- to PE Protection Mode
- Parallel Installation
- Suitable for Inventronics NFS&NSS&NFM&NSM Series Drivers



Description

ACC-RVS-NFS-xxx provides additional lightning surge protection for non-isolated LED drivers used in industrial, stadium, and similar applications, further enhancing system reliability.

Models

Wiring Configuration	Protection Mode	IP Rating	Part Number
Parallel	LED- to PE	IP20	ACC-RVS-NFS-600
Parallel	LED1-/LED2- to PE	IP20	ACC-RVS-NFS-1K2
Parallel	LED1-/LED2-/LED3- to PE	IP20	ACC-RVS-NFS-1K8

Compatible List

Part Number	Driver Part Number	Notes
ACC-RVS-NFS-600	NFS-600/900SxxxBC	
	NSS-700/1K2SxxxBC	
	NFM-500/680/880/1K2SxxxGG	
	NFM-500/680/880/1K2SxxxGT	
	NFM-500/680/880/1K2SxxxMG	
	NFM-500/680/880/1K2SxxxMT	
	NSM-680/880/1K2/1K5SxxxGG	
	NSM-680/880/1K2/1K5SxxxGT	
	NSM-680/880/1K2/1K5SxxxMG	
	NSM-680/880/1K2/1K5SxxxMT	
ACC-RVS-NFS-1K2	NFS-1K2DxxxBC	
	NSS-1K5DxxxBC	
ACC-RVS-NFS-1K8	NFS-1K8TxxxBC	
	NSS-2K1TxxxBC	

Environmental Specifications

Parameter	Min.	Typ.	Max.	Notes
Operating Temperature	-40°C	-	+70°C	Humidity: 5%RH to 85%RH. No condensation.
Storage Temperature	-40°C	-	+85°C	Humidity: 5%RH to 85%RH. No condensation.

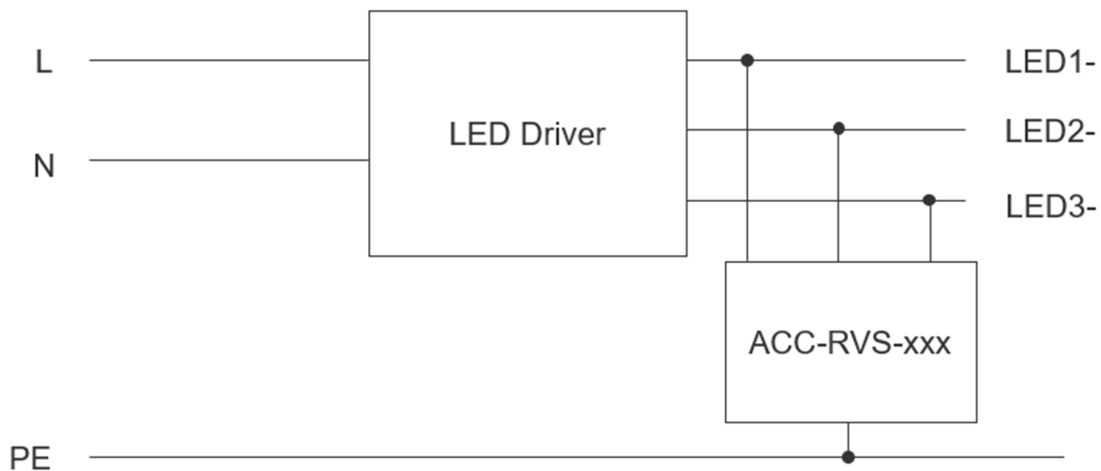
General Specifications

Parameter	Min.	Typ.	Max.	Notes
Clamping Voltage (LED- to PE)			2000 V	Test condition: 10 KV Surge(L-PE/N-PE)
Net Weight	ACC-RVS-NFS-600	-	24 g	-
	ACC-RVS-NFS-1K2	-	26 g	-
	ACC-RVS-NFS-1K8	-	28 g	-

Note: (1) When performing a withstand voltage test on the entire luminaire, this component must be temporarily removed to prevent functional activation of the internal gas discharge tube.

(2) Clamping voltage is affected by various factors, such as wiring, load, and grounding; protection performance must be evaluated in the complete luminaire system.

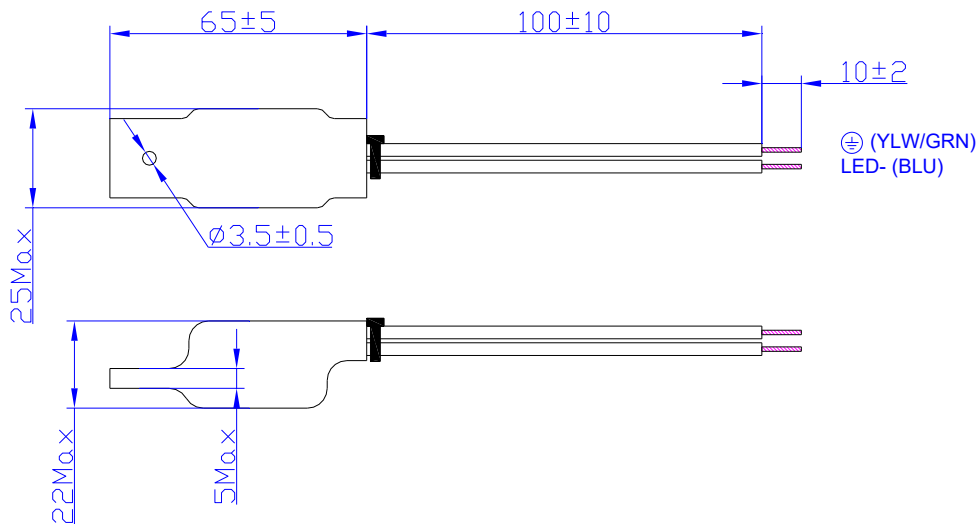
Wiring Diagram



Mechanical Outline

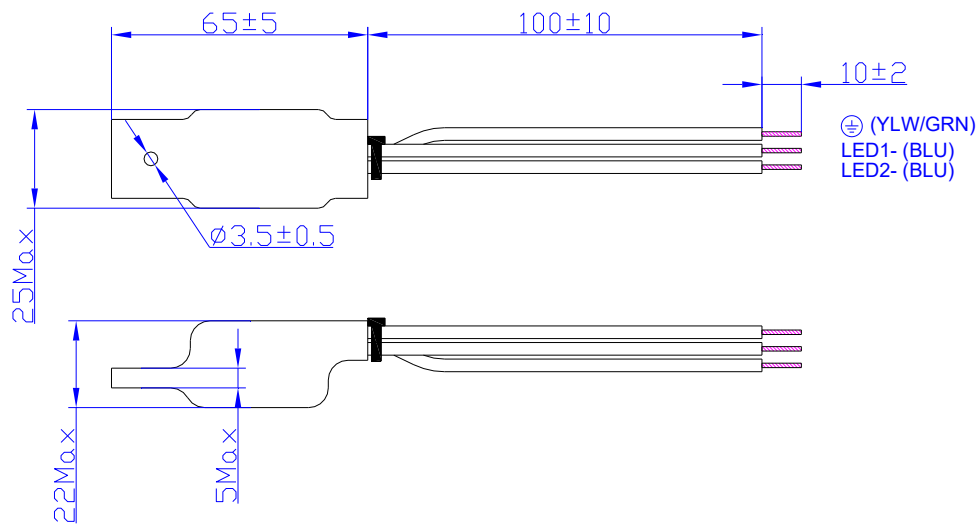
ACC-RVS-NFS-600

UL1015 16AWG



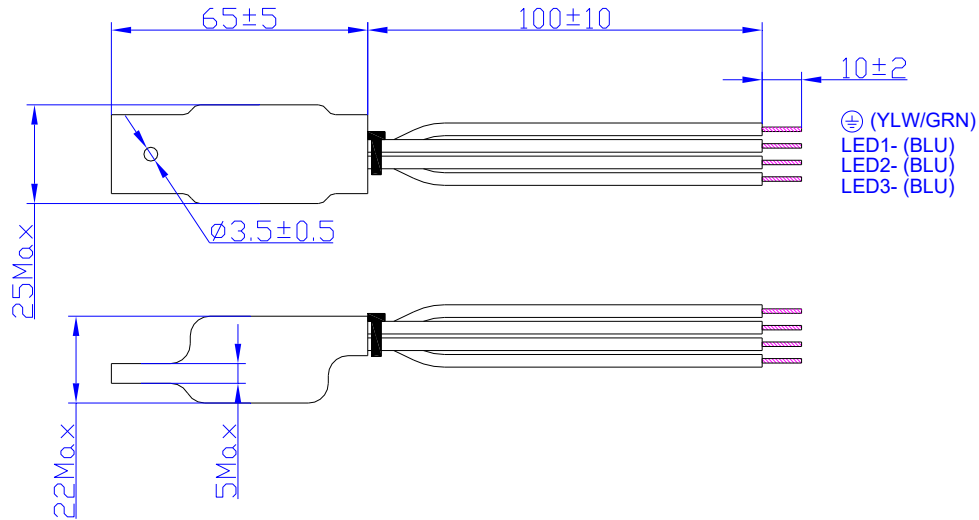
ACC-RVS-NFS-1K2

UL1015 16AWG



ACC-RVS-NFS-1K8

UL1015 16AWG



RoHS Compliance

Our products comply with reference to RoHS Directive (EU) 2015/863 amending 2011/65/EU, calling for the elimination of lead and other hazardous substances from electronic products.

Product Order Overview

Order Code & Packaging

Order Code (EAN)	Product Version Name	Packaging unit (Pieces/Box)	Packing Dimensions (L x W x H)(mm)
6942736277711	ACC-RVS-NFS-600	240	490 x 300 x 305
6942736277735	ACC-RVS-NFS-1K2	240	490 x 300 x 305
6942736277759	ACC-RVS-NFS-1K8	240	490 x 300 x 305

Revision History

Change Date	Rev.	Description of Change		
		Item	From	To
2026-04-07	A	Datasheets Release	/	/