

The IT 0-10 200/100-277/N R P65 series is a 200W constant-current, IP65 rated LED driver with a 90-305Vac input range and excellent power factor. Designed for industrial applications, it provides auxiliary power supply and dim-to-off functionality for low-voltage sensors. Dimming interface suitable for 0(1)-10V, PWM, resistive, and AstroDIM modes. With high efficiency and a compact metal housing, it operates cooler, enhancing reliability and extending product life. Intergrated protections include input surge, output overvoltage, short circuit, and over-temperature safeguards for trouble-free operation.



In preparation, if not already printed on the label

### Features

- Non-Isolated Design with Low Residual Output Voltage < 2 kV
- No Afterglow (Anti glow) on Specific Models
- Ultra-High Efficiency (Up to 97%)
- Full Power at Wide Output Current Range (Constant Power)
- Adjustable Output Current (AOC) with T4T(Tuner4TRONIC)
- Isolated 0(1)-10V/PWM/Resistor/AstroDIM(Timer)
- Adjustable Dimming Curve
- Integrated Dip Switch for Power Selection
- Auxiliary Power Supply: 12Vdc, 200mA on Specific Models
- 3 CCT Selection on Specific Models
- 3 Angle Selection on Specific Models
- End-of-Life Indicator
- Override Dimming
- Constant Lumen
- Input Surge Protection: DM 6kV, CM 6kV
- All-Around Protection: OTP, OVP, SCP
- 5 Years Warranty

### Application

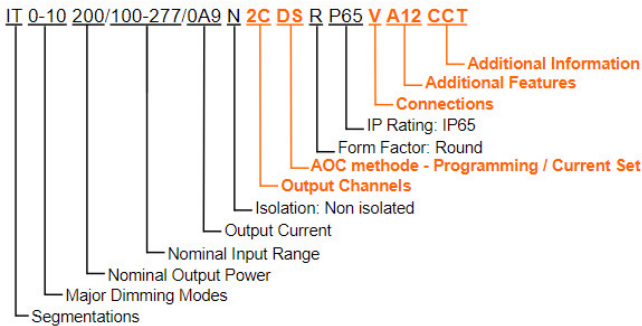
- IP65 and UL Dry and Damp Locations
- Suitable for Indoor Industrial Applications
- Suitable for Round Highbay with Protection Class I

### Models

Adjustable Output Current Range(mA)	Full Power Current Range (mA) <sup>(1)</sup>	Default Output Current (mA)	Nominal Output Voltage Range(Vdc)	Maximum Output Power(W) <sup>(2)</sup>	Typical Efficiency <sup>(3)</sup>	Power Factor $\lambda$	Product Name <sup>(4)</sup>
67 - 900	667 - 900	830	180-300	200	96.5%	0.97	IT 0-10 200/100-277/0A9/N DS R P65 U
67 - 900	667 - 900	830	180-300	200	96.5%	0.97	IT 0-10 200/100-277/0A9/N DS R P65 V
67 - 900	667 - 900	830	180-300	200	96.5%	0.97	IT 0-10 200/100-277/0A9/N 2C DS R P65 U A12 CCT
67 - 900	667 - 900	830	180-300	200	96.5%	0.97	IT 0-10 200/100-277/0A9/N 2C DS R P65 V A12 CCT

- Notes:** (1) Output current range with constant power at 200W.  
 (2) Output power shall not exceed the rated maximum.  
 (3) Measured at 100% load and 230Vac input (see below "General Specifications" for details).  
 (4) Certified input voltage range: 100-277Vac.

## Product Version Description



Markers	Value	Definition	Notes
Output Channels	Blank	Single Channel	
	2C	Dual Channels	
	4C	Four Channels	
AOC methode - Programming / Current Set	DS	Dip Switch	
Connections	U	UL Cable	
	V	VDE Cable	
Additional Features	Blank	-	
	A12	Aux-12V	
Additional Information	Blank	First Generation	Standard Product
	CCT	CCT Selection	
	AG	No Afterglow	
	AS	Angle Selection	
	CG	CCT Selection + No Afterglow	
	CA	CCT Selection + Angle Selection	
CGA	CCT Selection + Angle Selection + No Afterglow		

## Input Specifications

Parameter	Min.	Typ.	Max.	Notes
Input Voltage AC	90 Vac	-	305 Vac	
Input Voltage DC	127 Vdc	-	300 Vdc	
Mains Frequency	47 Hz	-	63 Hz	
Leakage Current	-	-	0.75 MIU	UL 8750; 277Vac/60Hz
	-	-	0.70 mA	IEC 60598-1; 277Vac/60Hz
Nominal Input Current	-	-	1.96 A	Measured at 100% load and 120 Vac input.
	-	-	1.02 A	Measured at 100% load and 230 Vac input.
Power Factor $\lambda$	0.9	-	-	At 100-277Vac, 50-60Hz, 70%-100% Load (140-200W)
Total Harmonic Distortion	-	-	20%	
Power Factor $\lambda$ Extended Range	0.95	0.97	-	At 220-240Vac, 50-60Hz, 100% load
Total Harmonic Distortion Extended Range	-	8%	10%	

## Output Specifications

Parameter	Min.	Typ.	Max.	Notes
Programmable Output Current	67 mA	-	900 mA	
Current Selection (Dip Switch)	1: 500 mA/2: 670 mA/3: 830 mA			Default is 830mA
Nominal Output Voltage	180 V	-	300 V	
Output Current Tolerance	-5%	-	+5%	At 100% load condition

## Output Specifications (Continued)

Parameter	Min.	Typ.	Max.	Notes
Total Output Current Ripple HF	-	10%	-	At 100% load condition. 20 MHz BW (pk-avg)
Output Current Ripple LF	-	5%	-	At 100% load condition, <200 Hz (pk-avg)
P <sub>stLM</sub>	-	-	1.0	
SVM	-	-	0.4	
Startup Overshoot Current	-	-	10%	At 100% load condition
U <sub>out</sub>	-	-	350 V	
Line Regulation	-	-	±3.0%	Measured at 100% load
Load Regulation	-	-	±5.0%	
Turn-on Delay Time	-	-	1.0 s	Measured at 120-277Vac input, 70%-100% load
Temperature Coefficient	-	0.03%/°C	-	Case temperature = 0°C ~Tc max
Auxiliary Output Voltage	10.8 V	12 V	13.2 V	Return terminal is "Dim-"
Auxiliary Output Source Current	0 mA	-	200 mA	

## General Specifications

Parameter	Min.	Typ.	Max.	Notes
Efficiency at 120Vac Input I <sub>o</sub> =667 mA I <sub>o</sub> =900 mA	92.5% 92.0%	94.5% 94.0%	- -	Measured at 100% load and Steady-state temperature in 25°C ambient. (Efficiency will be about 2.0% lower if measured immediately after startup.)
Efficiency at 230Vac Input I <sub>o</sub> =667 mA I <sub>o</sub> =900 mA	94.5% 94.0%	96.5% 96.0%	- -	Measured at 100% load and Steady-state temperature in 25°C ambient. (Efficiency will be about 2.0% lower if measured immediately after startup.)
Efficiency at 277Vac Input I <sub>o</sub> =667 mA I <sub>o</sub> =900 mA	95.0% 94.5%	97.0% 96.5%	- -	Measured at 100% load and Steady-state temperature in 25°C ambient. (Efficiency will be about 2.0% lower if measured immediately after startup.)
Networked Standby Power	-	-	0.5 W	Measured at 230Vac/50Hz; Dimming off
MTBF	-	396,000 Hours	-	Measured at 230Vac input, 80%Load and 25°C ambient temperature (MIL-HDBK-217F)
Surge Protection (L - N)	6KV	-	-	2ohm, IEC 61000-4-5
Surge Protection (L/N - E)	6KV	-	-	12ohm, IEC 61000-4-5
Operating Case Temperature for Safety T <sub>c_s</sub>	-40°C	-	+90°C	
Operating Case Temperature for Warranty T <sub>c_w</sub>	-40°C	-	+85°C	Case temperature for 5 years warranty Humidity: 10% RH to 95% RH; No Condensation
Lifetime	-	114,000 Hours	-	Measured at 230Vac input, 80%load and 75°C case temperature; See lifetime vs. Tc curve for the details
Ambient Temperature	-40°C	-	+60°C	Measured at 230Vac input, 100% load
Permitted rel. Humidity During Operation	5%	-	95%	No Condensation
Temperature at Storage	-40°C	-	+85°C	Humidity: 5%RH to 95%RH, No condensation
Mains Switching Cycles	100,000	-	-	
IP Rating	IP65			
Dimensions (L × W ×H)	4.92 x 4.92 x 2.36 Inches 125 x 125 x 60 mm			
Net Weight	-	645 g	-	

## Inrush Current Waveform

Input AC Voltage	Inrush Current $I_{peak}$	Inrush Current Width $t_{width}$ (@ 50% $I_{peak}$ )	The Number of LED Driver can be Configured (MCB)							
			B10A	B16A	B20A	B25A	C10A	C16A	C20A	C25A
120Vac	58.5 A	144 $\mu$ s	3	5	6	8	3	6	7	9
230Vac	130.0 A	140 $\mu$ s	4	7	9	12	7	12	15	18
277Vac	161.0 A	130 $\mu$ s	4	6	8	10	7	11	14	17

Notes: The maximum number of units per circuit breaker is indicative value.

## Dimming Specifications

Parameter	Min.	Typ.	Max.	Notes
Absolute Maximum Voltage on the Vdim (+) Pin	-20 V	-	20 V	
Source Current on Vdim (+)Pin	95 $\mu$ A	100 $\mu$ A	105 $\mu$ A	Vdim(+) = 0 V
Dimming Output Range	10%loset	-	loset	667 mA $\leq$ loset $\leq$ 900 mA
	67 mA	-	loset	67 mA $\leq$ loset < 667 mA
AstroDIM (Timer)	10%	-	100%	
Dimming for 0(1)-10V	0 V	-	10 V	Default, dimming mode set to 0(1)-10V in T4T.
Dim off Voltage	0.50 V	0.75 V	0.90 V	
Dim on Voltage	0.75 V	1.0 V	1.15 V	
Hysteresis	-	0.2 V	-	
Recommended Dimming for 0(1)-10V	1 V	-	9 V	Default 0-10V dimming mode with positive logic.
Dimming Curve Adjustable	0 V	-	10V	Dimming mode set to Adjustable Dimming Curve in T4T.
PWM_in High Level	3 V	-	10 V	Dimming mode set to PWM Dimming in T4T.
PWM_in Low Level	-0.3 V	-	0.6 V	
PWM_in Frequency	200 Hz	-	3 KHz	
PWM_in Duty Cycle	1%	-	99%	
PWM Dimming off (Positive Logic)	3%	5%	8%	
PWM Dimming on (Positive Logic)	5%	7%	10%	
PWM Dimming off (Negative Logic)	92%	95%	97%	
PWM Dimming on (Negative Logic)	90%	93%	95%	
Hysteresis	-	2%	-	
Output Current Setting Range	67 mA	-	900 mA	

## Certificates & Standards

Safety Category	Standard
UL/CUL	UL 8750, CAN/CSA-C22.2 No. 250.13
FCC Part 15	ANSI C63.4 Class B
	This device complies with Part 15 of the FCC Rules. Operation is subject to the following two conditions: [1] this device may not cause harmful interference, and [2] this device must accept any interference received, including interference that may cause undesired Operation.
ENEC	EN 61347-1, EN 61347-2-13, EN IEC 62384
CE	EN 61347-1, EN 61347-2-13, EN IEC 55015, EN 61547, EN IEC 61000-3-2, EN 61000-3-3
CB	IEC 61347-1, IEC 61347-2-13
CCC	GB/T 19510.1, GB/T 19510.213, GB/T 17743, GB 17625.1
KS	KS C 7655

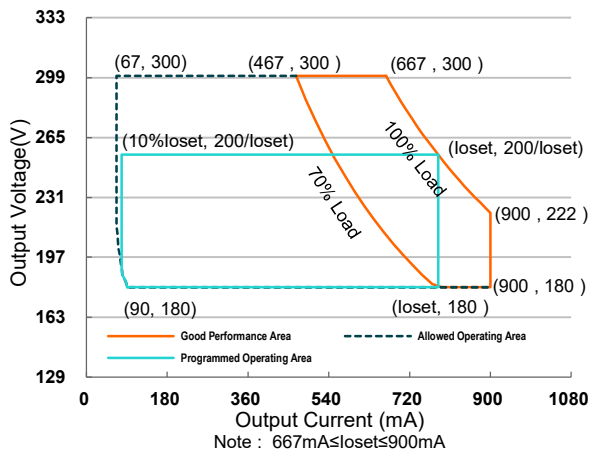
**Note:** (1) This LED driver meets the EMI specifications above, but EMI performance of a luminaire that contains it depends also on the other devices connected to the driver and on the fixture itself.

## Isolation Levels

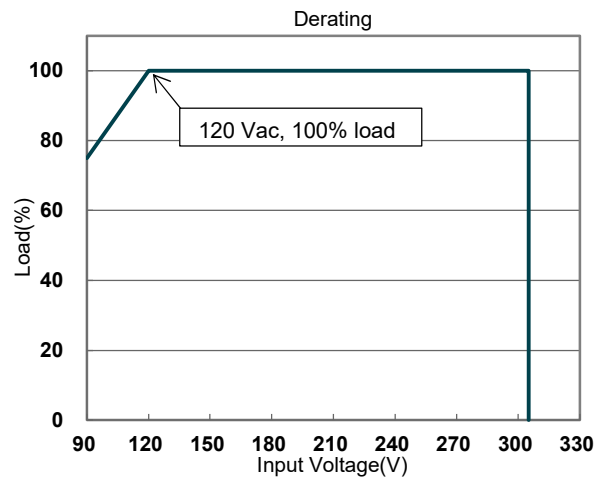
	Input	Output	Dimming	Aux	Housing
Input	N/A	Non	Reinforced	Reinforced	Basic
Output	Non	N/A	Reinforced	Reinforced	Basic
Dimming	Reinforced	Reinforced	N/A	Non	Basic
Aux	Reinforced	Reinforced	Non	N/A	Basic
Housing	Basic	Basic	Basic	Basic	N/A

**Note:** The LED module must be insulated at least for 2500V.

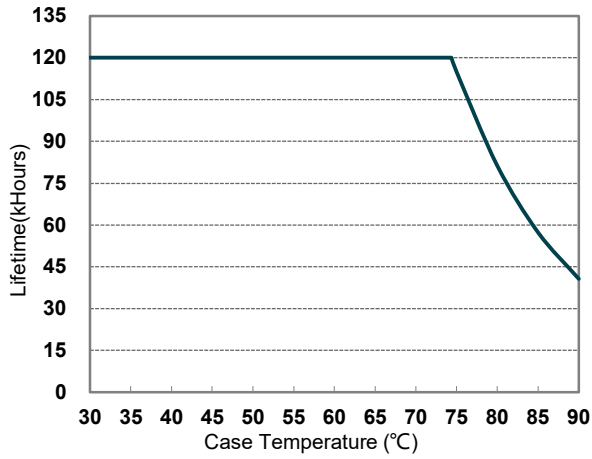
## Operating Window



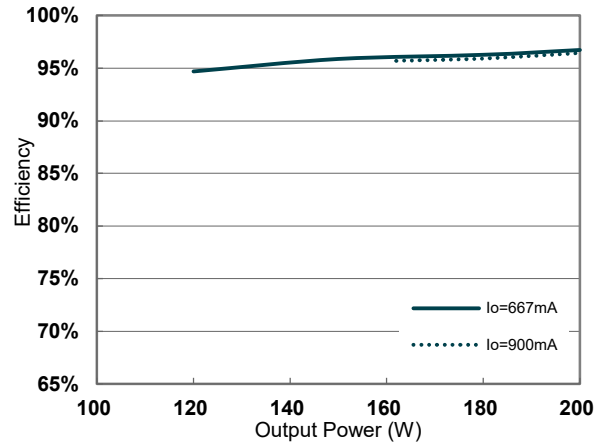
## Derating



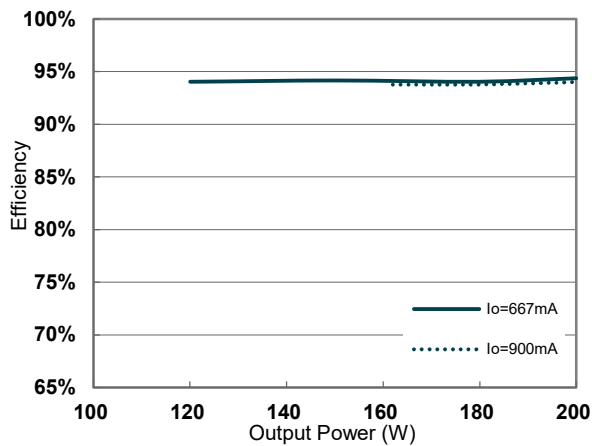
## Lifetime vs. Case Temperature



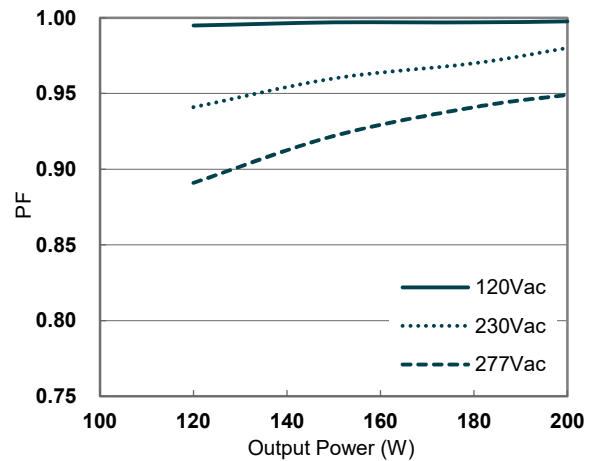
## Efficiency vs. Load@277Vac



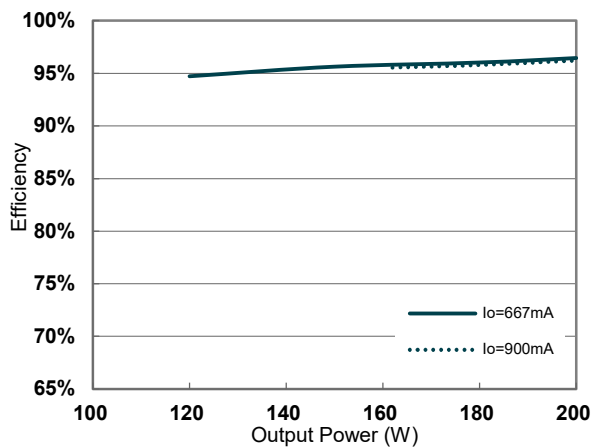
## Efficiency vs. Load@120Vac



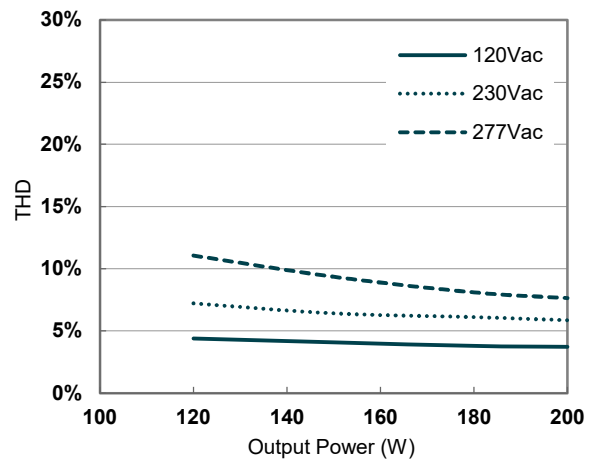
## Power Factor



## Efficiency vs. Load@230Vac



## Total Harmonic Distortion



## Protection Functions

### Over Temperature Protection(OTP)

Protection based on safety: decreases output current if maximum internal temperature is reached, returning to normal value after over temperature is removed.

When output current reaches 20%, switch-off until over temperature is removed.

### Driver Guard

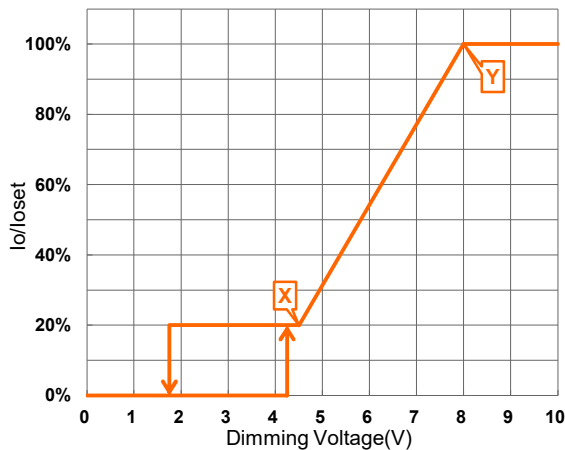
Default setting: disabled.

Protection based on lifetime: It can be activated via T4T. Set a lower internal temperature threshold (Thermal Settings: reduce the temperature threshold by 5°C, 10°C, 15°C or 20°C) to activate the over temperature protection.

## Dimming

### Adjustable Dimming Curve

0-10V curve can be set as corresponding dimming voltage by T4T. Take the 0-10V positive logic dimming mode as an example, the recommended implementation of the dimming control is provided below:



#### Notes:

1. Do NOT connect Dim- to the output V- or V+, otherwise the driver will not work properly.
2. The dimmer can also be replaced by an active 0-10V voltage source signal or passive components like zener.
3. When dimming voltage X point is set to be smaller than Y point, the dimming curve is positive logic; conversely, when X point is set to be bigger than Y point, the dimming curve is negative logic.
4. For best dimming accuracy, the difference between X point and Y point is advised not less than 4V.

The driver is protected against temporary overheating by automatically reduction of the output current.

### Over Voltage Protection(OVP)

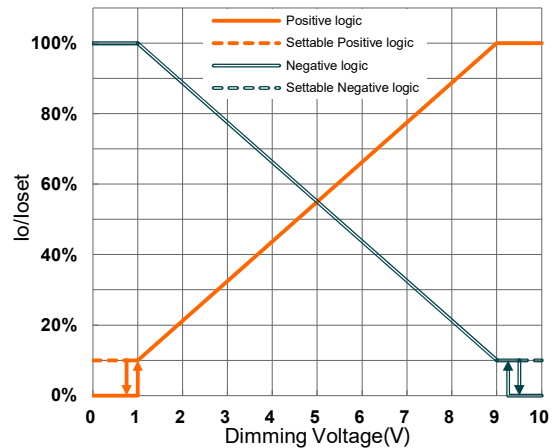
Limits output voltage at no load and in case the normal voltage limit fails.

### Short Circuit Protection(SCP)

Auto Recovery. No damage will occur when any output is short circuited. The output shall return to normal when the fault condition is removed.

### 0(1)-10V Dimming

The recommended implementation of the dimming control is provided below:

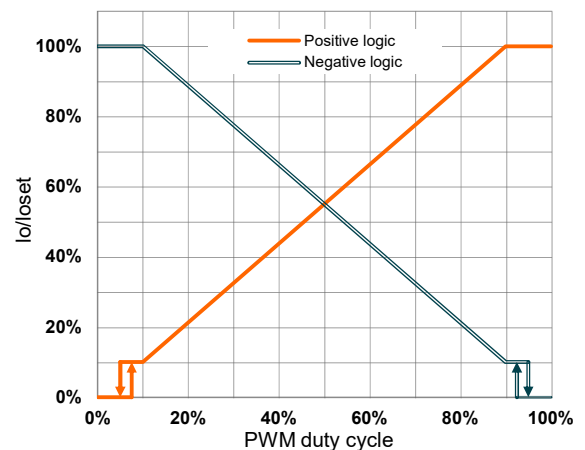


#### Notes:

1. Do NOT connect Dim- to the output V- or V+, otherwise the driver will not work properly.
2. The dimmer can also be replaced by an active 0-10V voltage source signal or passive components like zener.

### PWM Dimming

The recommended implementation of the dimming control is provided below:

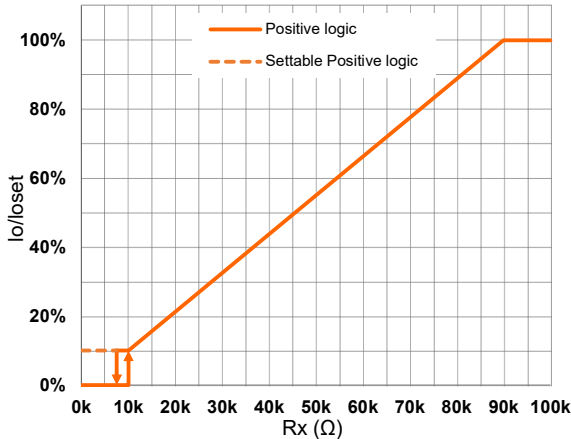


#### Notes:

1. Do NOT connect Dim- to the output V- or V+, otherwise the driver will not work properly.
2. When PWM negative logic dimming mode and Dim+ is open, the driver will dim to off and be standby.

## Resistor Dimming

The recommended implementation of the dimming control is provided below:



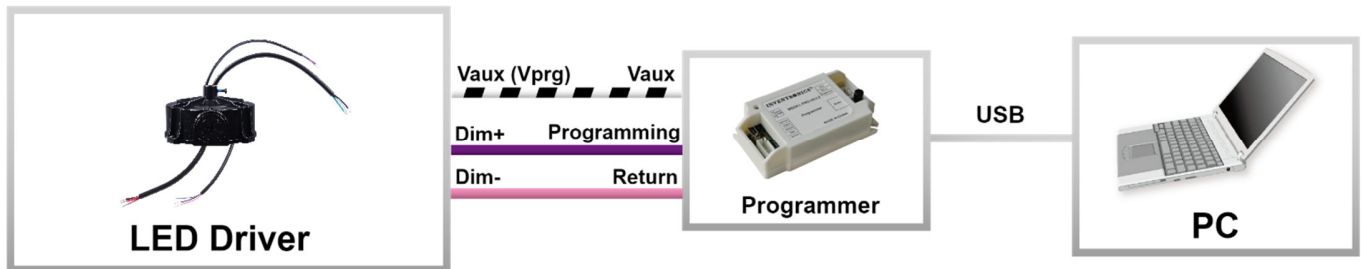
### Notes:

1. Do NOT connect Dim- to the output V- or V+, otherwise the driver will not work properly.

## AstroDIM(Timer)

The AstroDIM feature allows an autonomous dimming without the need for an additional control line.

## Programming Connection Diagram



- Note:**
- (1) The driver does not need to be powered on during the programming process.
  - (2) Please refer to [PRG-MUL2](#) (Programmer) datasheet for details.
  - (3) Supports [I4T](#) functionality.

AstroDIM (Timer) includes 2 kinds of modes, they are Astro Based and Time Based.

- **Astro Based:** The benchmark for the dimming profile is based on the average midnight each year, which is precisely calculated using theoretical sunrise and sunset times. The LED driver strictly adheres to daily power-on and power-off times to execute the corresponding dimming configuration file. Furthermore, the adjustment of the dimming schedule is dynamic, automatically adapting according to the actual length of the night to ensure that the lighting effect aligns with nighttime environmental needs.
- **Time Based:** The dimming profile defined in the reference schedule is referenced to the switch-on time of the LED driver.
- **Override Dimming:** When the integrated "AstroDIM(Timer)+Override" is enabled, it is possible to override the dimming mode from 'AstroDIM' into 'Adjustable Dimming Curve' mode by applying a voltage of 1(0)-10V between DIM+ and DIM-. Once a voltage  $\leq 10.5$  Vdc is detected the output current will coincide with the dimming voltage. By opening the DIM+ and DIM- circuitry, the LED driver will switch again to AstroDIM mode. During override, our product continues to count while the AstroDIM is being overridden. Once the override is removed, the output current returns to the same point in its AstroDIM cycle.

## Constant Lumen

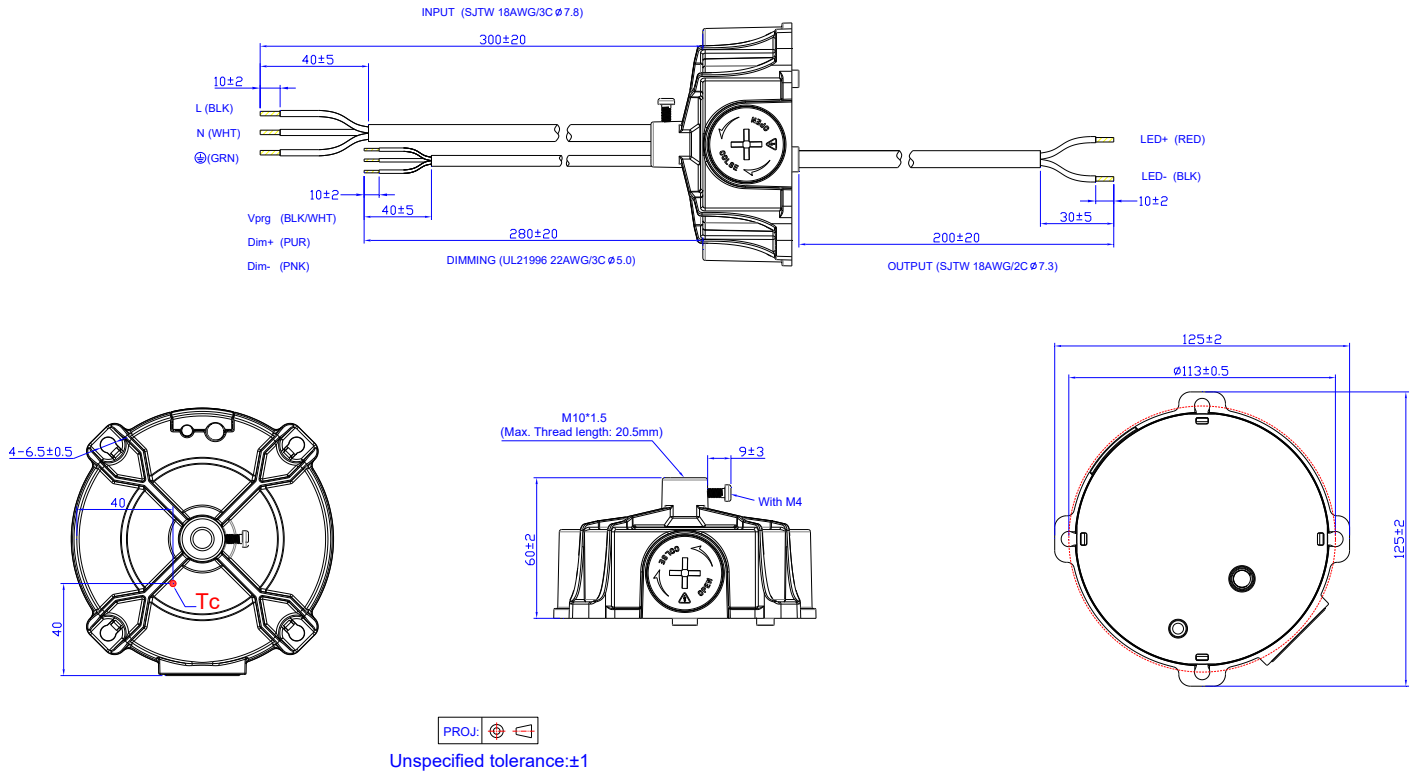
Constant lumen function may be used to maintain constant light output over the life of the LEDs by driving them at a reduced current when new, then gradually increasing the drive current over time to counteract LED lumen degradation. This function is disabled by default.

## End Of Life

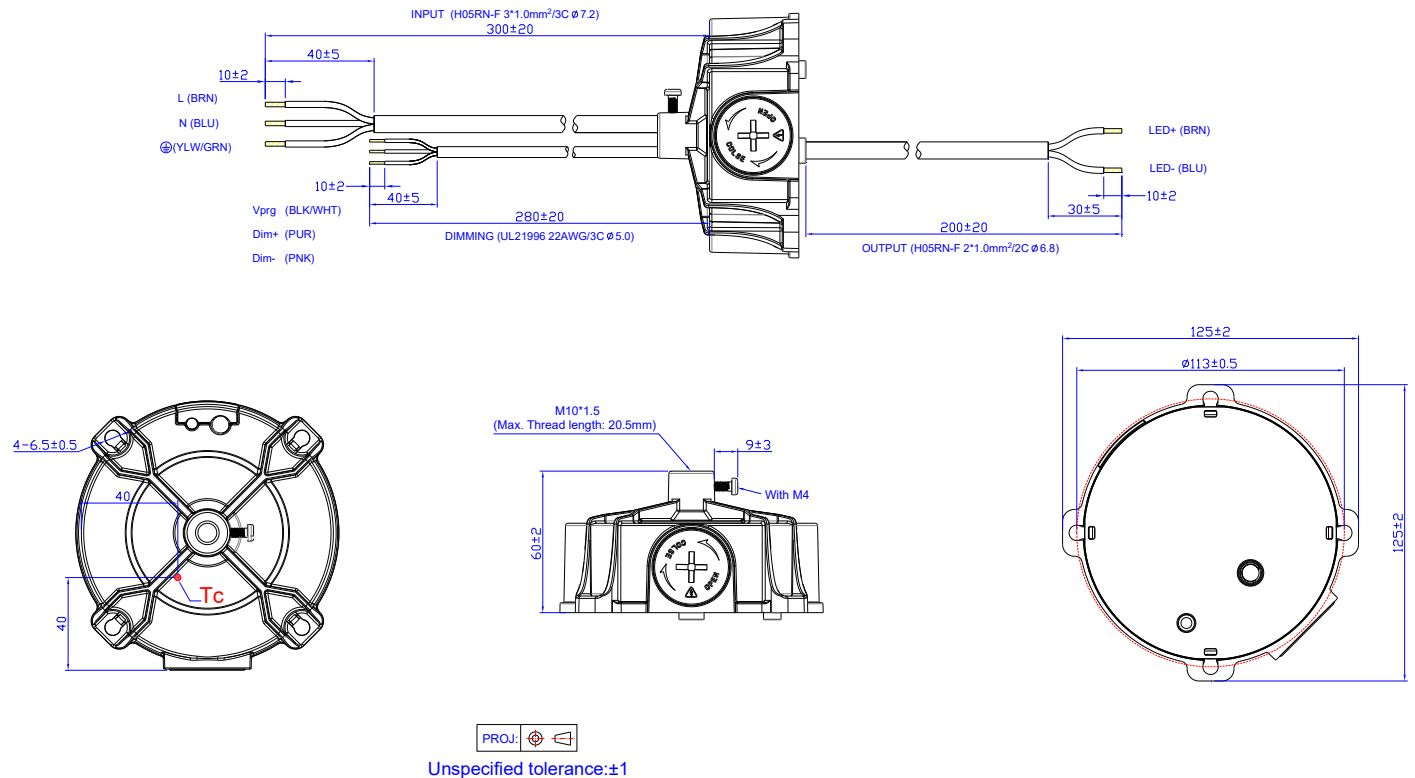
End-of-Life (EOL) is providing a visual notification to a user that the LED module has reached the end of manufacturer-specified life and that the replacement is recommended. Once active, an indication is given at each power-up of the driver, which the driver indicates this through a lower light output (minimum output current level) during the first 10 minutes before normal operation is continue.

## Mechanical Outline

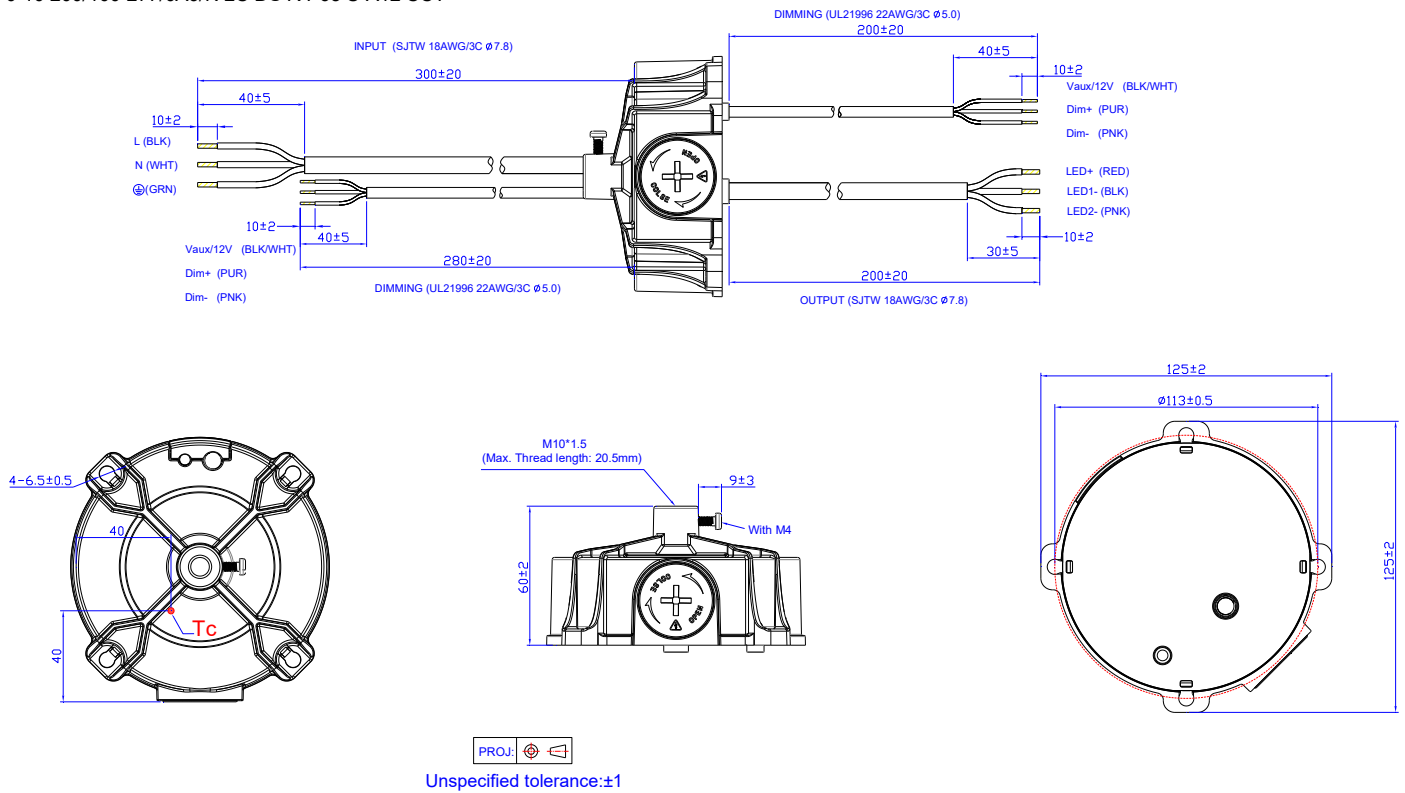
IT 0-10 200/100-277/0A9/N DS R P65 U



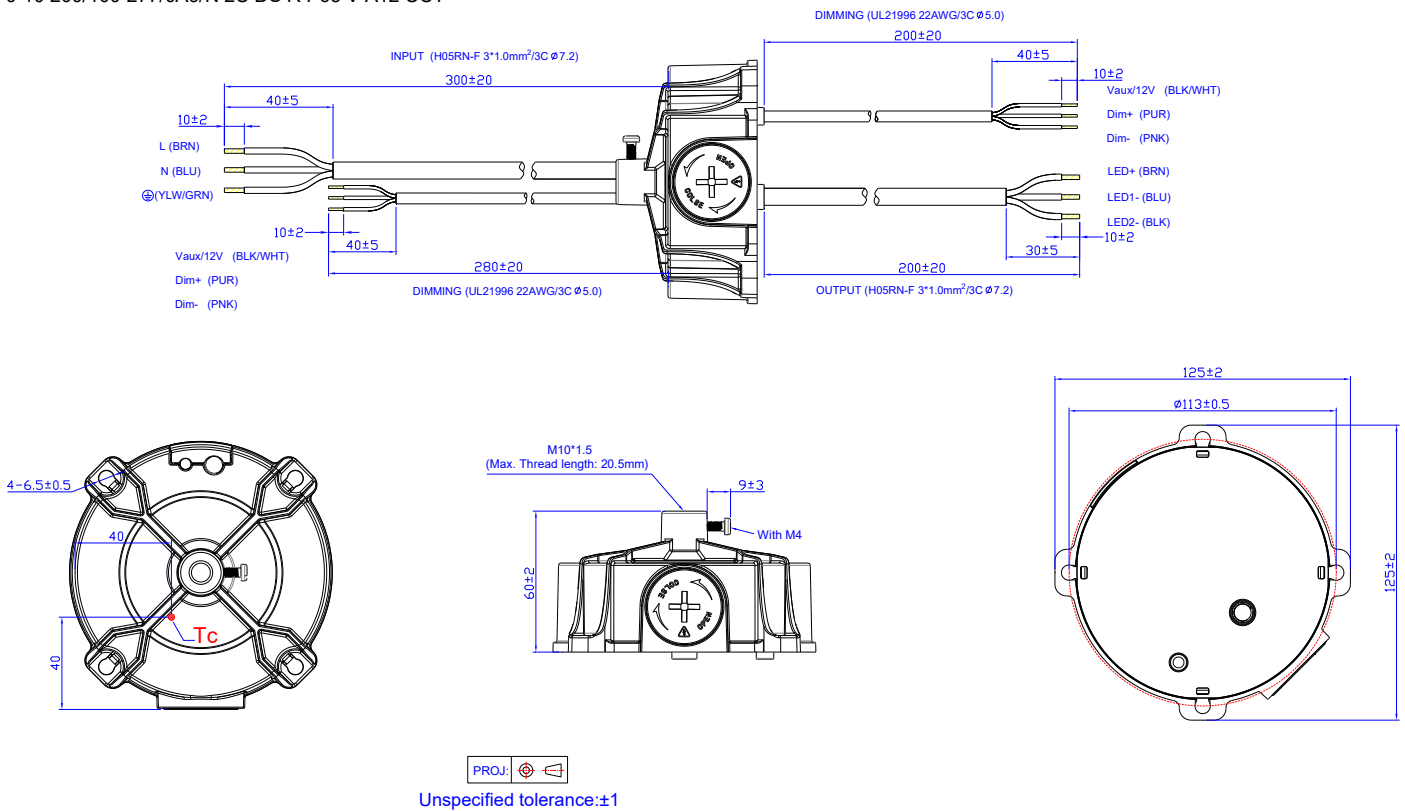
IT 0-10 200/100-277/0A9/N DS R P65 V



IT 0-10 200/100-277/0A9/N 2C DS R P65 U A12 CCT



IT 0-10 200/100-277/0A9/N 2C DS R P65 V A12 CCT



## Environmental Compliance

### RoHS

Our products comply with reference to RoHS Directive (EU) 2015/863 amending 2011/65/EU, calling for the elimination of lead and other hazardous substances from electronic products.

## Product Order Overview

### Order Code & Packaging

Order Code (EAN)	Product Version Name	Certification Markings on Product	Packaging unit (Pieces/Box)	Packing Dimensions (L x W x H)(mm)	Gross Weight (Kg)
6937186157003 <sup>(1)</sup>	IT 0-10 200/100-277/0A9/N DS R P65 U	UL Class P, FCC	20	600 x 490 x 125	14.5
6937186157065 <sup>(1)</sup>	IT 0-10 200/100-277/0A9/N DS R P65 V	CE, ENEC, CB	20	600 x 490 x 125	14.5
6937186157041 <sup>(1)</sup>	IT 0-10 200/100-277/0A9/N 2C DS R P65 U A12 CCT	UL Class P, FCC	20	600 x 490 x 125	14.5
6937186157102 <sup>(1)</sup>	IT 0-10 200/100-277/0A9/N 2C DS R P65 V A12 CCT	CE, ENEC, CB	20	600 x 490 x 125	14.5
6937186185464	IT 0-10 200/100-277/0A9/N DS R P65 U	UL Class P, FCC	12	540 x 355 x 150	9.3
6937186185501	IT 0-10 200/100-277/0A9/N DS R P65 V	CE, ENEC, CB	12	540 x 355 x 150	9.3
6937186185488	IT 0-10 200/100-277/0A9/N 2C DS R P65 U A12 CCT	UL Class P, FCC	12	540 x 355 x 150	9.3
6937186185525	IT 0-10 200/100-277/0A9/N 2C DS R P65 V A12 CCT	CE, ENEC, CB	12	540 x 355 x 150	9.3

**Note:** (1) For China mainland only.