

The trusted value of OSRAM Digital Systems continues with Inventronics Global – where experience meets innovation.

## B NLC D4i LS P Z

Light management systems



### Product family features

- Microwave, PIR or light sensor
- Bluetooth NLC enabled by Silvair
- Control of D4i drivers or DALI drivers with additional DALI bus power supply
- Intended for installation to Zhaga socket 18
- Works with Inventronics D4i LED drivers

### Product family benefits

- Standard communication protocol released by Bluetooth SIG
- Design freedom due to standard dimensions
- Easy to integrate in luminaire
- Minimize internal wiring in combination with D4i drivers
- Secured product communication granted by ioXT and PSA Certificates

## Areas of application

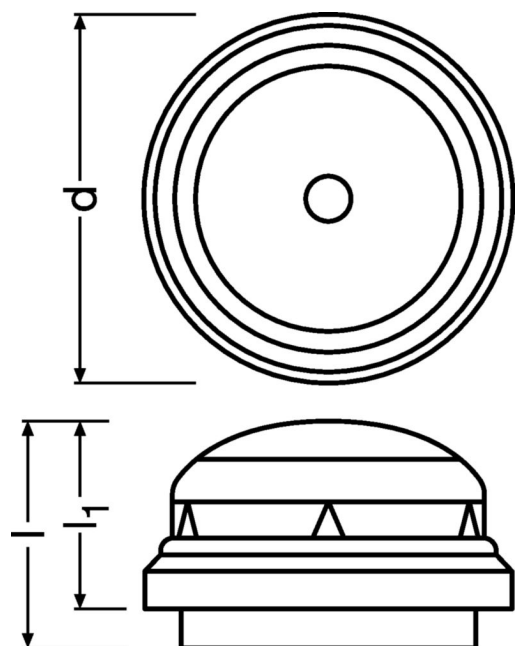
- Area lighting
- Parking areas
- Cycle lanes
- City parks

## Technical data

### Electrical data

<b>Nominal voltage</b>	13,5 ... 22,5 V
<b>Mains frequency</b>	0 Hz
<b>Maximum TX power</b>	+8 dBm
<b>Peak input current</b>	20 mA
<b>Average input current</b>	10 mA
<b>Radio frequency</b>	2.4 GHz
<b>Wireless protocol</b>	Bluetooth NLC enabled by Silvair
<b>Wireless range</b>	40 m line of sight
<b>Required DALI current (typical)</b>	10 mA
<b>Peak DALI current</b>	30 mA
<b>System wattage</b>	0.30 W

## Dimensions & weight



<b>Product weight</b>	40.00 g
<b>Wire preparation length, input side</b>	7...9 mm
<b>Cable cross-section, input side</b>	0.25...0.75 mm <sup>2</sup>
<b>Length</b>	39.5 mm
<b>Width</b>	39.5 mm
<b>Height</b>	50.0 mm
<b>Maximum allowed cable length</b>	10
<b>Diameter</b>	39.5 mm

## Temperatures & operating conditions

<b>Maximum temperature at tc test point</b>	65 °C
<b>Ambient temperature range</b>	-25...+60 °C
<b>Temperature range at storage</b>	-25...70 °C
<b>Permitted rel. humidity during operation</b>	0...95 %
<b>Permitted relative humidity at storage</b>	0...95 %

## Lifespan

Lifespan	50000 h
----------	---------

## Capabilities

Operating range, light sensor	<1000 lx
Dimming interface	D4i
Maximum installation height	15 m
Type of sensor	Daylight
Dimmable	Yes
Type of installation	Luminaire integration
Compatibility	Works with OSRAM HubSense / Works with OSRAM DEXAL
Control output	D4i
Reset	Magnetic <sup>1)</sup>
Number of connected drivers	4
Detection angle (Light sensor)	+/- 25°

1) by magnet

## Certificates & standards

Approval marks – approval	CE / D4i
Protection class	II
Type of protection	IP66

## Environmental information

Information according Art. 33 of EU Regulation (EC) 1907/2006 (REACH)	
Primary Article Identifier	6977078999519
Date of Declaration	26-02-2025
Declaration No. in SCIP database	In work
SCIP_STATUS	In work
SCIP_ID	

## Download Data

File		
Certificates	PDF	▶ B NLC DEKRA 4912692 01 AOC 290524
CAD data	Compressed	▶ B NLC D4I LS P Z STEP 200824
Mandatory Publications	PDF	▶ B NLC D4I P Z CE 4533027 240524
User instruction	PDF	▶ G15130023_UI_B_NLC_D4I_HF_LS_PD_P_Z_03

## Logistical Data

Product code	Product description	Packaging unit (Pieces/Unit)	Dimensions (length x width x height)	Volume	Gross weight
6977078999519 INVENTRONICS	B NLC D4i LS P Z	Shipping carton box 50 Pieces	330 x 287 x 195 mm	18.47 dm <sup>3</sup>	52.40 g

The mentioned product code describes the smallest quantity unit which can be ordered. One shipping unit can contain one or more single products. When placing an order, for the quantity please enter single or multiples of a shipping unit