

The trusted value of OSRAM Digital Systems continues with Inventronics Global – where experience meets innovation.

## B NLC D4i HF P Z

Light management systems



### Product family features

- Microwave, PIR or light sensor
- Bluetooth NLC enabled by Silvair
- Control of D4i drivers or DALI drivers with additional DALI bus power supply
- Intended for installation to Zhaga socket 18
- Works with Inventronics D4i LED drivers

### Product family benefits

- Standard communication protocol released by Bluetooth SIG
- Design freedom due to standard dimensions
- Easy to integrate in luminaire
- Minimize internal wiring in combination with D4i drivers
- Secured product communication granted by ioXT and PSA Certificates

## Areas of application

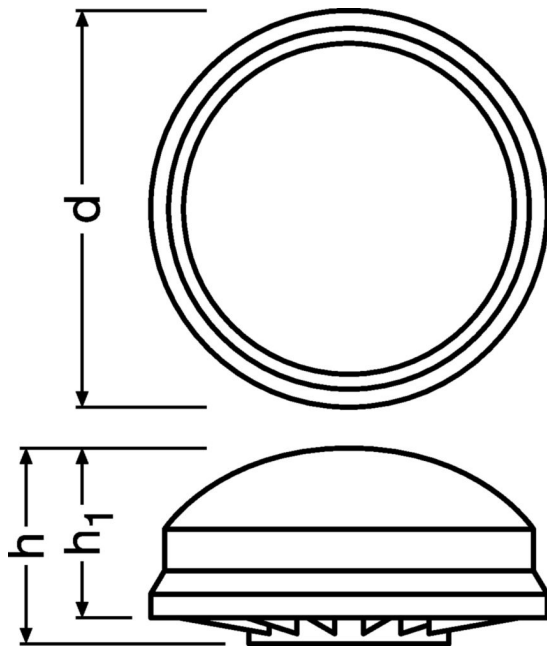
- Area lighting
- Parking areas
- Cycle lanes
- City parks

## Technical data

### Electrical data

<b>Input voltage DC</b>	24 V
<b>Nominal voltage</b>	13,5 ... 22,5 V
<b>Mains frequency</b>	0 Hz
<b>Maximum TX power</b>	+8 dBm
<b>Peak input current</b>	80 mA
<b>Average input current</b>	60 mA
<b>Radio frequency</b>	2.4 GHz
<b>Wireless protocol</b>	Bluetooth NLC enabled by Silvair
<b>Wireless range</b>	40 m line of sight
<b>Required DALI current (typical)</b>	20 mA
<b>Peak DALI current</b>	30 mA
<b>System wattage</b>	0.30 W

## Dimensions & weight



Product weight	70.00 g
Wire preparation length, input side	7...9 mm
Cable cross-section, input side	0.25...0.75 mm <sup>2</sup>
Length	79.5 mm
Width	79.5 mm
Height	49.0 mm
Maximum allowed cable length	10
Diameter	79.5 mm

## Temperatures & operating conditions

Maximum temperature at tc test point	65 °C
Ambient temperature range	-25...+60 °C
Temperature range at storage	-30...70 °C
Permitted rel. humidity during operation	0...95 %
Permitted relative humidity at storage	0...95 %

## Lifespan

<b>Lifespan</b>	50000 h
-----------------	---------

## Capabilities

<b>Detection angle</b>	+/-45° °
<b>Dimming interface</b>	D4i
<b>Detection area</b>	140 m <sup>2</sup>
<b>Maximum installation height</b>	13 m
<b>Type of sensor</b>	Microvawe
<b>Dimmable</b>	Yes
<b>Type of installation</b>	Luminaire integration
<b>Compatibility</b>	Works with Inventronics HubSense / Works with Inventronics DEXAL
<b>Control output</b>	D4i
<b>Reset</b>	Magnetic <sup>1)</sup>
<b>Number of connected drivers</b>	4
<b>Control interface</b>	Bluetooth NLC

1) by magnet

## Certificates & standards

Approval marks – approval	CE / D4i
Protection class	II
Type of protection	IP65

## Environmental information

Information according Art. 33 of EU Regulation (EC) 1907/2006 (REACH)	
Primary Article Identifier	6977078990486
Date of Declaration	11-11-2025
Declaration No. in SCIP database	In work
SCIP_STATUS	In work
SCIP_ID	

## Download Data

File		
Certificates	PDF	▶ B NLC DEKRA 4912692 01 AOC 290524
CAD data 3-dim	Compressed	▶ B NLC D4I HF P Z 3PDF 4551748 221025
CAD data 2-dim	Compressed	▶ B NLC D4I HF P Z 2PDF 4551748 221025
CAD data	Compressed	▶ B NLC D4I HF P Z IGS 4551748 221025
CAD data	Compressed	▶ B NLC D4I HF P Z STEP 4551748 221025
Mandatory Publications	PDF	▶ B NLC D4I P Z CE 4533027 240524
User instruction	PDF	▶ G15130023_UI_B_NLC_D4I_HF_LS_PD_P_Z_03

## Logistical Data

Product code	Product description	Packaging unit (Pieces/Unit)	Dimensions (length x width x height)	Volume	Gross weight
6977078990486 INVENTRONICS	B NLC D4I HF P Z	Shipping carton box 18 Pieces	330 x 287 x 195 mm	18.47 dm <sup>3</sup>	104.44 g

The mentioned product code describes the smallest quantity unit which can be ordered. One shipping unit can contain one or more single products. When placing an order, for the quantity please enter single or multiples of a shipping unit