

The IT 0-10 100/100-277 P67 is a 100W, constant-current, programmable and IP66/IP67 rated LED driver that operates from 90-305Vac input with excellent power factor. It is created for many lighting applications including street and area, etc. The high efficiency of these drivers and compact metal case enables them to run cooler, significantly improving reliability and extending product life. To ensure trouble-free operation, protection is provided against input surge, output over voltage, short circuit, and over temperature.



## Features

- Compact Metal Case with Excellent Thermal Performance
- Full Power at Wide Output Current Range (Constant Power)
- Adjustable Output Current (AOC) with T4T(Tuner4TRONIC)
- Isolated 1(0)-5V/1(0)-10V/PWM/Resistor/AstroDIM(Timer) Dimmable
- Dim-to-Off with Standby Power  $\leq 0.5$  W
- Adjustable Dimming Curve
- Always-on Auxiliary Power: 12Vdc, 100mA on Specific Models
- End-of-Life Indicator
- Override Dimming
- Constant Lumen
- Input Surge Protection: DM 6kV, CM 10kV
- All-Around Protection: OTP, OVP, SCP
- 5 Years Warranty

## Application

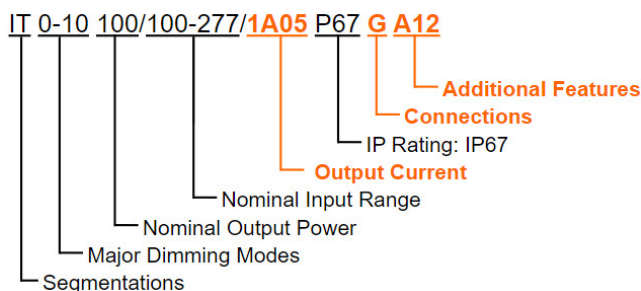
- IP66/IP67 and UL Dry/Damp/Wet Location
- TYPE HL, for use in a Class I, Division 2 Hazardous (Classified) Location
- Suitable for Luminaires with Protection Class I
- Suitable for Luminaires with Protection Class I and II on Specific Models

## Models

Adjustable Output Current Range(mA)	Full Power Current Range (mA) <sup>(1)</sup>	Default Output Current (mA)	Nominal Output Voltage Range(Vdc)	Maximum Output Power(W)	Typical Efficiency <sup>(2)</sup>	Power Factor $\lambda$		Product Name <sup>(3)(5)</sup>
						120Vac	230Vac	
35-530	350-530	530	94-286	100	92.5%	0.99	0.96	IT 0-10 100/100-277/0A53 P67 y
70-1050	700-1050	700	48-143	100	92.5%	0.99	0.96	IT 0-10 100/100-277/1A05 P67 y
175-2800	1750-2800	2100	17-54	96	91.5%	0.99	0.96	IT 0-10 100/100-277/2A8 P67 y <sup>(4)</sup>

- Notes:** (1) Output current range with constant power at 100W.  
 (2) Measured at 100% load and 230Vac input (see below "General Specifications" for details).  
 (3) Certified input voltage range: 100-277Vac.  
 (4) LED Class 2, LVLE & SELV Output.  
 (5) Definition of y (see below "Product Version Description" for details).

## Product Version Description



Markers	Value	Definition	Notes
Output Current	0A53	0.53A	
	1A05	1.05A	
	2A8	2.80A	
Connections	G	Global Cable	
	U	UL Cable	
	E	EQUI VDE Cable	Suitable for Luminaires with Protection Class I and II
Additional Features	Blank	-	
	A12	Aux-12V	

## Input Specifications

Parameter	Min.	Typ.	Max.	Notes
Input Voltage AC	90 Vac	-	305 Vac	
Input Voltage DC	127 Vdc	-	300 Vdc	
Mains Frequency	47 Hz	-	63 Hz	
Leakage Current	-	-	0.75 MIU	UL 8750; 277Vac/60Hz
	-	-	0.70 mA	IEC 60598-1; 277Vac/60Hz
Nominal Input Current	-	-	1.05 A	Measured at 100% load and 120 Vac input.
	-	-	0.53 A	Measured at 100% load and 230 Vac input.
Power Factor $\lambda$	0.9	-	-	At 100-277Vac, 50-60Hz, 65%-100% Load (65-100W)
Total Harmonic Distortion	-	-	20%	
Total Harmonic Distortion Extended Range	-	-	10%	At 220-240Vac, 50-60Hz, 75%-100% Load (75-100W)

## Output Specifications

Parameter	Min.	Typ.	Max.	Notes
Programmable Output Current				
IT 0-10 100/100-277/0A53 P67 y	35 mA	-	530 mA	
IT 0-10 100/100-277/1A05 P67 y	70 mA	-	1050 mA	
IT 0-10 100/100-277/2A8 P67 y	175 mA	-	2800 mA	
Nominal Output Voltage				
IT 0-10 100/100-277/0A53 P67 y	94 V	-	286 V	
IT 0-10 100/100-277/1A05 P67 y	48 V	-	143 V	
IT 0-10 100/100-277/2A8 P67 y	17 V	-	54 V	
Output Current Tolerance	-5%	-	+5%	At 100% load condition
Total Output Current Ripple HF	-	5%Iomax	10%Iomax	At 100% load condition, 20 MHz BW
Output Current Ripple LF	-	2%Iomax	-	At 100% load condition, <200Hz (pk-pk)
P <sub>stLM</sub>	-	-	1.0	
SVM	-	-	0.4	
Startup Overshoot Current	-	-	10%Iomax	At 100% load condition
U <sub>out</sub>				
IT 0-10 100/100-277/0A53 P67 y	-	-	330 V	
IT 0-10 100/100-277/1A05 P67 y	-	-	170 V	
IT 0-10 100/100-277/2A8 P67 y	-	-	60 V	
Line Regulation	-	-	±1.0%	Measured at 100% load
Load Regulation	-	-	±5.0%	
Turn-on Delay Time	-	-	0.5 s	Measured at 120-277Vac input, 65%-100% load
Temperature Coefficient	-	0.06%/°C	-	Case temperature = 0°C ~T <sub>c</sub> max
Auxiliary Output Voltage	10.8 V	12 V	13.2 V	Return terminal is "Dim-", on specific models
Auxiliary Output Source Current	0 mA	-	100 mA	

## General Specifications

Parameter	Min.	Typ.	Max.	Notes
Efficiency at 120Vac Input IT 0-10 100/100-277/0A53 P67 y				Measured at 100% load and Steady-state temperature in 25°C ambient; (Efficiency will be about 2.0% lower if measured immediately after startup.)
Io=350 mA	88.0%	90.0%	-	
Io=530 mA	88.0%	90.0%	-	
IT 0-10 100/100-277/1A05 P67 y				
Io=700 mA	88.0%	90.0%	-	
Io=1050 mA	88.0%	90.0%	-	
IT 0-10 100/100-277/2A8 P67 y				
Io=1750 mA	87.5%	89.5%	-	
Io=2800 mA	87.0%	89.0%	-	
Efficiency at 230Vac Input IT 0-10 100/100-277/0A53 P67 y				Measured at 100% load and Steady-state temperature in 25°C ambient; (Efficiency will be about 2.0% lower if measured immediately after startup.)
Io=350 mA	90.5%	92.5%	-	
Io=530 mA	90.0%	92.0%	-	
IT 0-10 100/100-277/1A05 P67 y				
Io=700 mA	90.5%	92.5%	-	
Io=1050 mA	90.0%	92.0%	-	
IT 0-10 100/100-277/2A8 P67 y				
Io=1750 mA	89.5%	91.5%	-	
Io=2800 mA	89.0%	91.0%	-	
Efficiency at 277Vac Input IT 0-10 100/100-277/0A53 P67 y				Measured at 100% load and Steady-state temperature in 25°C ambient; (Efficiency will be about 2.0% lower if measured immediately after startup.)
Io=350 mA	90.5%	92.5%	-	
Io=530 mA	90.5%	92.5%	-	
IT 0-10 100/100-277/1A05 P67 y				
Io=700 mA	90.5%	92.5%	-	
Io=1050 mA	90.5%	92.5%	-	
IT 0-10 100/100-277/2A8 P67 y				
Io=1750 mA	90.0%	92.0%	-	
Io=2800 mA	89.0%	91.0%	-	
Networked Standby Power	-	-	0.5 W	Measured at 230Vac/50Hz; Dimming off
MTBF	-	391,000 Hours	-	Measured at 230Vac input, 80%Load and 25°C ambient temperature (MIL-HDBK-217F)
Operating Case Temperature for Safety Tc_s	-40°C	-	+90°C	
Operating Case Temperature for Warranty Tc_w	-40°C	-	+80°C	Case temperature for 5 years warranty Humidity: 10% RH to 95% RH
Lifetime	-	102,000 Hours	-	Measured at 230Vac input, 80%Load and 70°C case temperature; See lifetime vs. Tc curve for the details
Ambient Temperature	-40°C	-	+65°C	Measured at 230Vac input, 100% load
Permitted rel. Humidity During Operation	5%	-	95%	
Temperature at Storage	-40°C	-	+85°C	Humidity: 5%RH to 95%RH
Mains Switching Cycles	100,000	-	-	
IP Rating	IP66/IP67			
Dimensions (L × W ×H)	5.16 x 2.36 x 1.31 Inches 131 x 60 x 33.4 mm			With mounting ear 5.83 x 2.36 x 1.31 Inches 148 x 60 x 33.4 mm
Net Weight	-	562.5 g	-	

## Inrush Current Waveform

Input AC Voltage	Inrush Current I <sub>peak</sub>	Inrush Current Width t <sub>width</sub> (@ 50% I <sub>peak</sub> )	The Number of LED Driver can be Configured (MCB)							
			B10A	B16A	B20A	B25A	C10A	C16A	C20A	C25A
120Vac	44.6 A	92.0 μs	6	10	12	16	7	12	15	18
230Vac	110 A	68.0 μs	11	18	23	29	14	23	29	36
277Vac	136 A	70.0 μs	8	14	17	22	14	23	29	36

Notes: The maximum number of units per circuit breaker is an indicative value.

## Dimming Specifications

Parameter		Min.	Typ.	Max.	Notes
Absolute Maximum Voltage on the Vdim (+) Pin		-20 V	-	20 V	
Source Current on Vdim (+)Pin		95 µA	100 µA	105 µA	Vdim(+) = 0 V
Dimming Output Range	IT 0-10 100/100-277/0A53 P67 y IT 0-10 100/100-277/1A05 P67 y IT 0-10 100/100-277/2A8 P67 y	10% loiset	-	loiset	350 mA ≤ loiset ≤ 530 mA 700 mA ≤ loiset ≤ 1050 mA 1750 mA ≤ loiset ≤ 2800 mA
	IT 0-10 100/100-277/0A53 P67 y IT 0-10 100/100-277/1A05 P67 y IT 0-10 100/100-277/2A8 P67 y	35 mA 70 mA 175 mA	-	loiset	35 mA ≤ loiset < 350 mA 70 mA ≤ loiset < 700 mA 175 mA ≤ loiset < 1750 mA
	AstroDIM (Timer)	10%	-	100%	
Dimming for 1(0)-5V		0.5 V	-	4.5V	Dimming mode set to 1(0)-5V in T4T.
Recommended Dimming for 1(0)-10V		1 V	-	9 V	Default 1-10V dimming mode with positive logic.
Dimming Curve Adjustable		0 V	-	10V	Dimming mode set to Adjustable Dimming Curve in T4T.
PWM_in High Level		3 V	-	10 V	Dimming mode set to PWM Dimming in T4T.
PWM_in Low Level		-0.3 V	-	0.6 V	
PWM_in Frequency		200 Hz	-	3 KHz	
PWM_in Duty Cycle		1%	-	99%	
PWM Dimming off (Positive Logic)		3%	5%	8%	
PWM Dimming on (Positive Logic)		5%	7%	10%	
PWM Dimming off (Negative Logic)		92%	95%	97%	
PWM Dimming on (Negative Logic)		90%	93%	95%	
Hysteresis		-	2%	-	

## Certificates & Standards

Safety Category	Standard
UL/CUL	UL 8750, CAN/CSA-C22.2 No. 250.13
FCC Part 15	ANSI C63.4 Class B
	This device complies with Part 15 of the FCC Rules. Operation is subject to the following two conditions: [1] this device may not cause harmful interference, and [2] this device must accept any interference received, including interference that may cause undesired Operation.
ENEC	EN 61347-1, EN 61347-2-13, EN IEC 62384
CE	EN 61347-1, EN 61347-2-13, EN IEC 55015, EN 61547, EN IEC 61000-3-2, EN 61000-3-3
CB	IEC 61347-1, IEC 61347-2-13
CCC	GB/T 19510.1, GB/T 19510.213, GB/T 17743, GB 17625.1
KS	KS C 7655

**Note:** (1) This product meets the requirements for IEC/EN 61347-1(Class II), when the driver is energized, the allowed leakage current is perceptible but harmless. (For the versions of luminaires with protection Class II)  
 (2) This LED driver meets the EMI specifications above, but EMI performance of a luminaire that contains it depends also on the other devices connected to the driver and on the fixture itself.

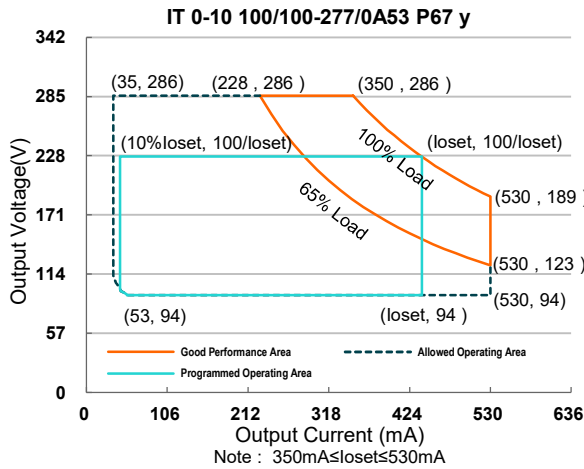
### Isolation Levels (For the versions of luminaires with protection Class I)

	Input	Output	Dimming	Aux	Housing
Input	N/A	Reinforced	Reinforced	Reinforced	Basic
Output	Reinforced	N/A	Reinforced	Reinforced	Basic
Dimming	Reinforced	Reinforced	N/A	N/A	Basic
Aux	Reinforced	Reinforced	N/A	N/A	Basic
Housing	Basic	Basic	Basic	Basic	N/A

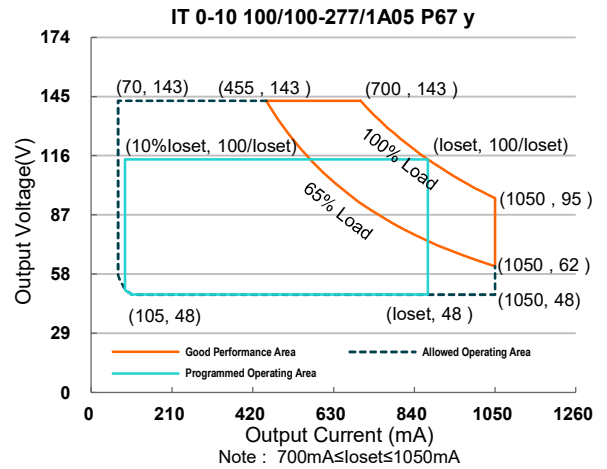
### Isolation Levels (For the versions of luminaires with protection Class I and II)

	Input	Output	Dimming	Aux	EQUI					
Input	N/A	Reinforced	Reinforced	Reinforced	Reinforced					
Output	Reinforced	N/A	Reinforced	Reinforced	Reinforced					
Dimming	Reinforced	Reinforced	N/A	N/A	Basic					
Aux	Reinforced	Reinforced	N/A	N/A </tr <tr> <td>EQUI</td> <td>Reinforced</td> <td>Reinforced</td> <td>Basic</td> <td>Basic</td> <td>N/A</td> </tr>	EQUI	Reinforced	Reinforced	Basic	Basic	N/A
EQUI	Reinforced	Reinforced	Basic	Basic	N/A					

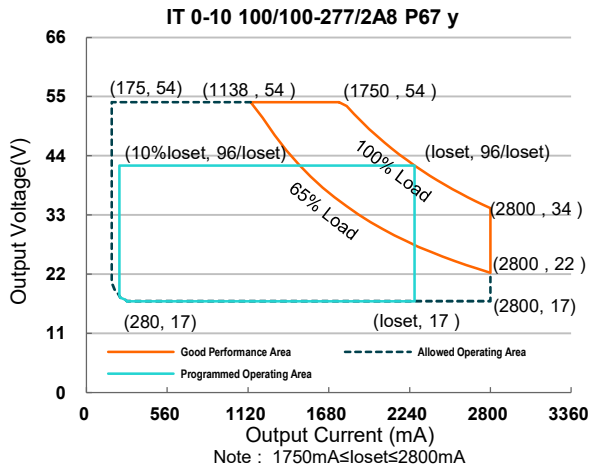
### Operating Window



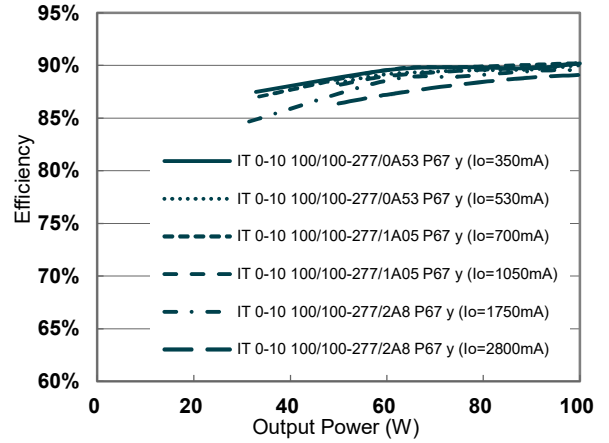
### Operating Window



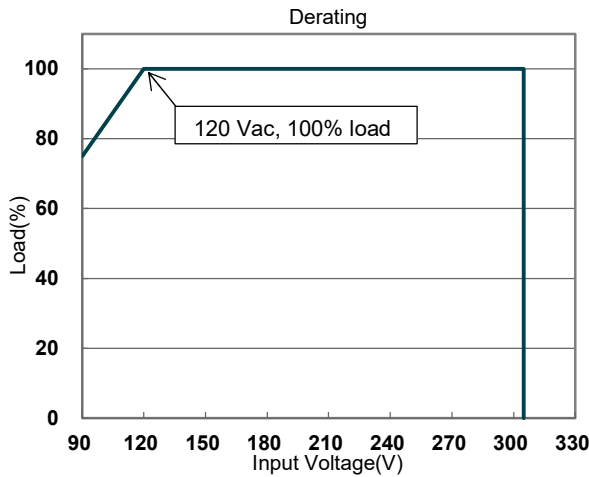
## Operating Window



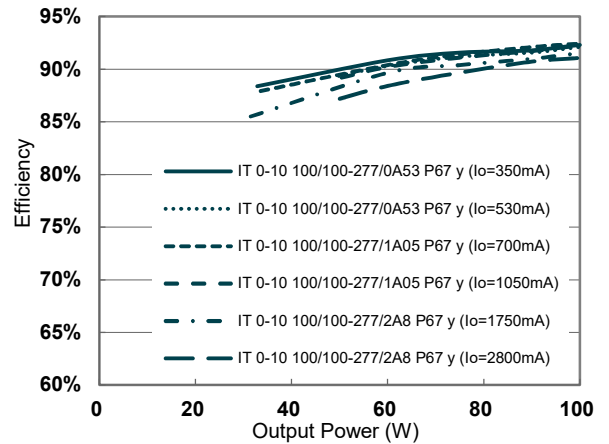
## Efficiency vs. Load@120Vac



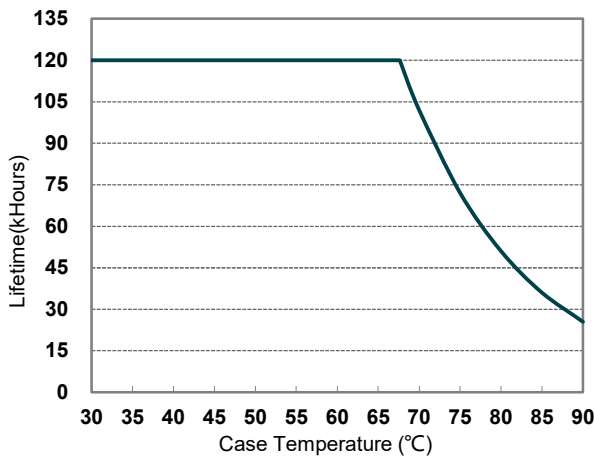
## Derating



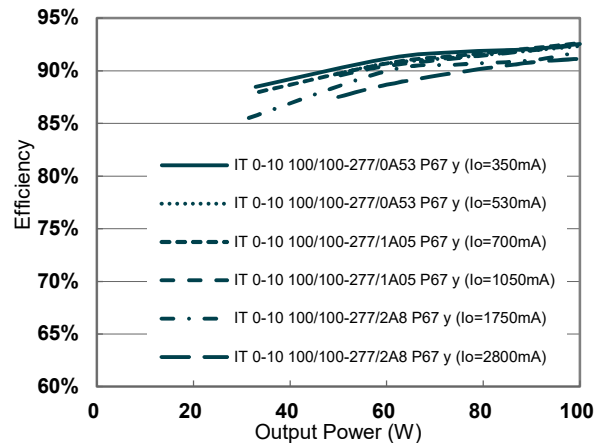
## Efficiency vs. Load@230Vac



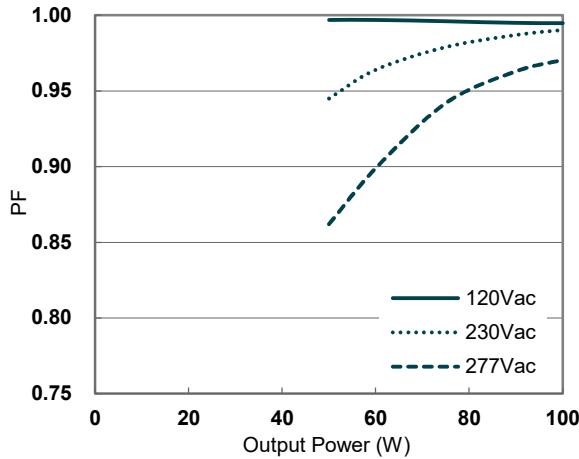
## Lifetime vs. Case Temperature



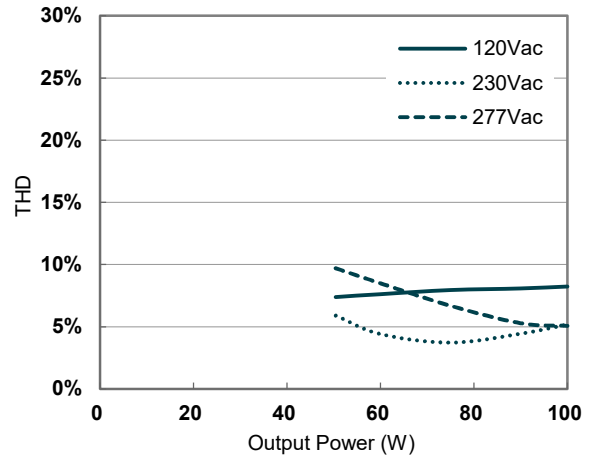
## Efficiency vs. Load@277Vac



## Power Factor



## Total Harmonic Distortion



## Protection Functions

### Over Temperature Protection(OTP)

Protection based on safety: decreases output current if maximum internal temperature is reached, returning to normal value after over temperature is removed. When output current reaches 20%, switch-off until over temperature is removed.

### Driver Guard

Default setting: disabled. Protection based on lifetime: It can be activated via T4T. Set a lower internal temperature threshold (Thermal Settings: reduce the temperature threshold by 5°C, 10°C, 15°C or 20°C) to activate the over temperature protection.

The driver is protected against temporary overheating by automatically reduction of the output current.

### Over Voltage Protection(OVP)

Limits output voltage at no load and in case the normal voltage limit fails.

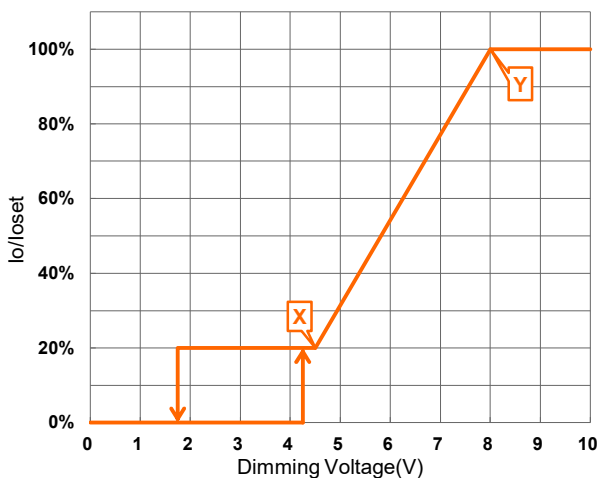
### Short Circuit Protection(SCP)

Auto Recovery. No damage will occur when any output is short circuited. The output shall return to normal when the fault condition is removed.

## Dimming

### Adjustable Dimming Curve

0-10V curve can be set as corresponding dimming voltage by T4T. Take the 0-10V positive logic dimming mode as an example, the recommended implementation of the dimming control is provided below:



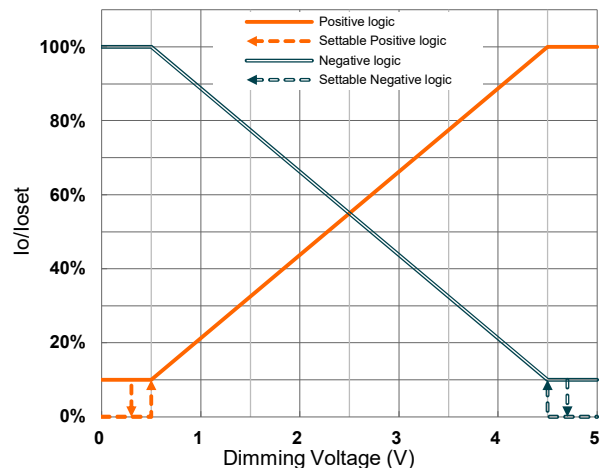
#### Notes:

- Do NOT connect Dim- to the output V- or V+, otherwise the driver will not work properly.
- The dimmer can also be replaced by an active 0-10V voltage source signal or passive components like zener.

- When dimming voltage X point is set to be smaller than Y point, the dimming curve is positive logic; conversely, when X point is set to be bigger than Y point, the dimming curve is negative logic.
- For best dimming accuracy, the difference between X point and Y point is advised not less than 4V.

### 1(0)-5V Dimming

The recommended implementation of the dimming control is provided below:

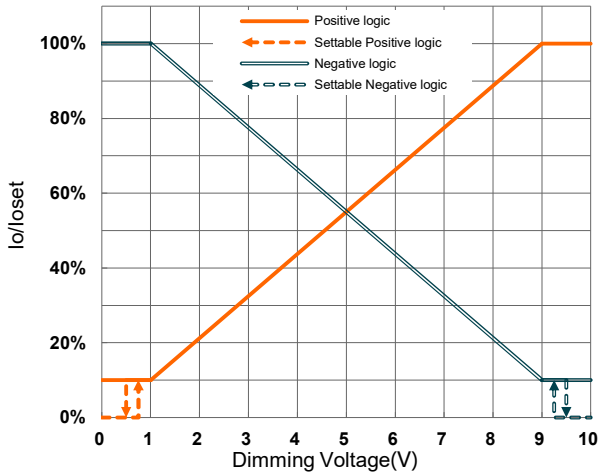


#### Notes:

1. Do NOT connect Dim- to the output V- or V+, otherwise the driver will not work properly.
2. The dimmer can also be replaced by an active 1-5V voltage source signal or passive components like Zener.

## 1(0)-10V Dimming

The recommended implementation of the dimming control is provided below:

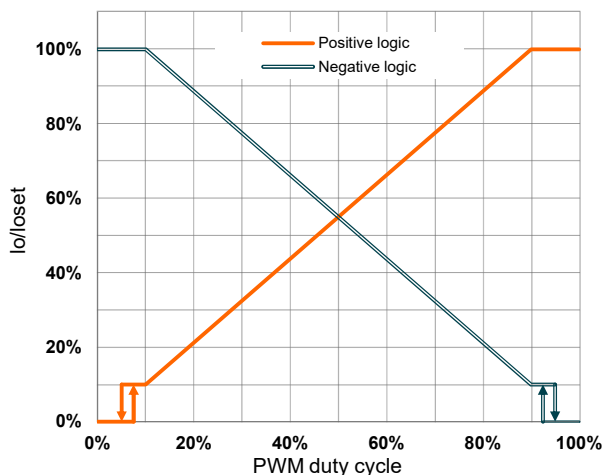


### Notes:

1. Do NOT connect Dim- to the output V- or V+, otherwise the driver will not work properly.
2. The dimmer can also be replaced by an active 1-10V voltage source signal or passive components like zener.

## PWM Dimming

The recommended implementation of the dimming control is provided below:

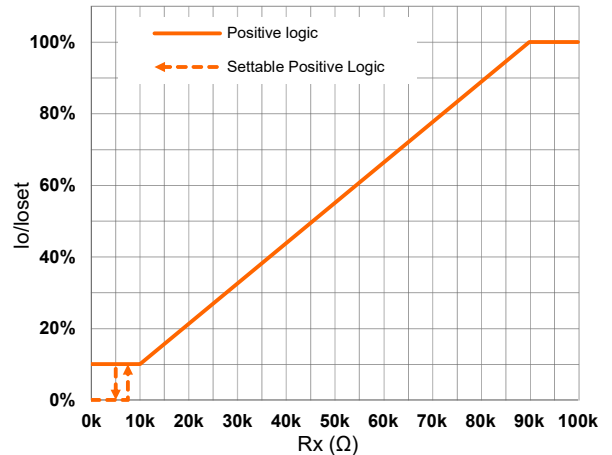


### Notes:

1. Do NOT connect Dim- to the output V- or V+, otherwise the driver will not work properly.
2. When PWM negative logic dimming mode and Dim+ is open, the driver will dim to off and be standby.

## Resistor Dimming

The recommended implementation of the dimming control is provided below:



### Notes:

1. Do NOT connect Dim- to the output V- or V+, otherwise the driver will not work properly.

## AstroDIM(Timer)

AstroDIM (Timer) includes 2 kinds of modes, they are Astro Based and Time Based.

- **Astro Based:** The benchmark for the dimming profile is based on the average midnight each year, which is precisely calculated using theoretical sunrise and sunset times. The LED driver strictly adheres to daily power-on and power-off times to execute the corresponding dimming configuration file. Furthermore, the adjustment of the dimming schedule is dynamic, automatically adapting according to the actual length of the night to ensure that the lighting effect aligns with nighttime environmental needs.
- **Time Based:** The dimming profile defined in the reference schedule is referenced to the switch-on time of the LED driver.
- **Override Dimming:** When the integrated "AstroDIM(Timer)+Override" is enabled, it is possible to override the dimming mode from 'AstroDIM' into 'Adjustable Dimming Curve' mode by applying a voltage of 1(0)-10V between DIM+ and DIM-. Once a voltage  $\leq 10.5$  Vdc is detected the output current will coincide with the dimming voltage. By opening the DIM+ and DIM- circuitry, the LED driver will switch again to AstroDIM mode. During override, our product continues to count while the AstroDIM is being overridden. Once the override is removed, the output current returns to the same point in its AstroDIM cycle.

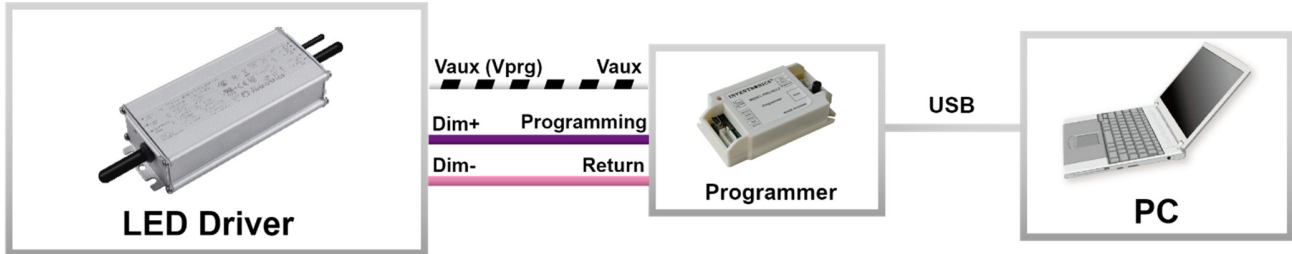
## Constant Lumen

Constant lumen function may be used to maintain constant light output over the life of the LEDs by driving them at a reduced current when new, then gradually increasing the drive current over time to counteract LED lumen degradation. This function is disabled by default.

## End Of Life

End-of-Life (EOL) is providing a visual notification to a user that the LED module has reached the end of manufacturer-specified life and that the replacement is recommended. Once active, an indication is given at each power-up of the driver, which the driver indicates this through a lower light output (minimum output current level) during the first 10 minutes before normal operation is continue.

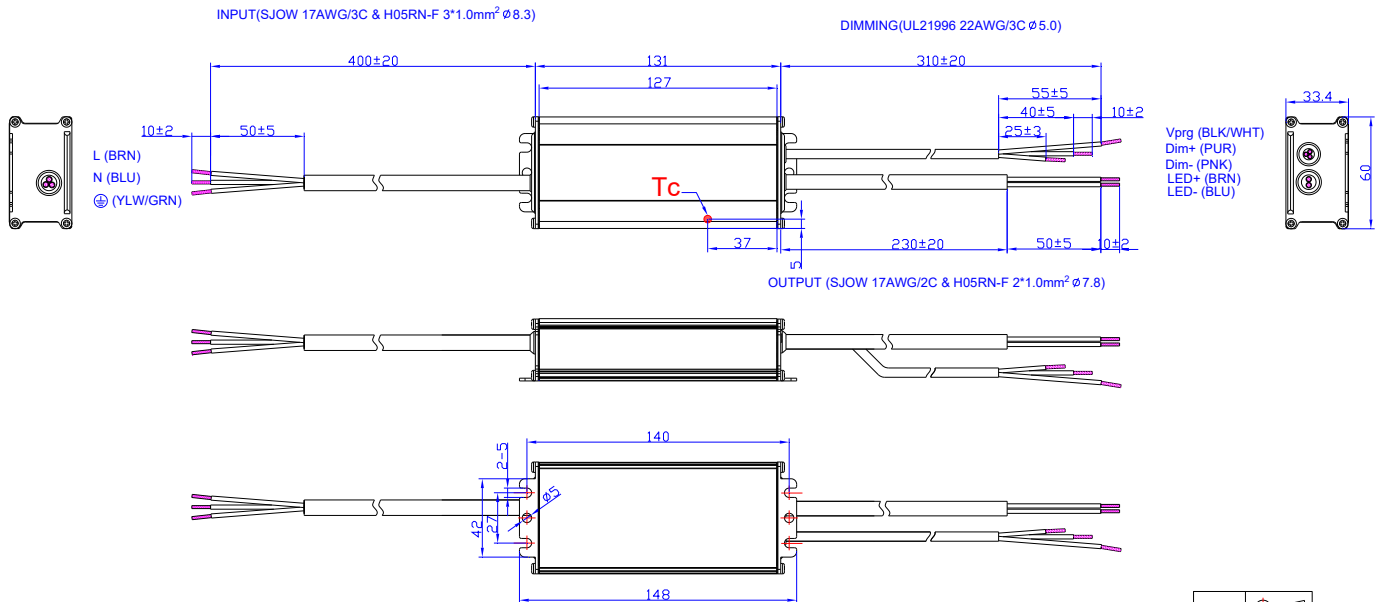
## Programming Connection Diagram



**Note:** (1) The driver does not need to be powered on during the programming process.  
 (2) Please refer to **PRG-MUL2** (Programmer) datasheet for details.  
 (3) Supports **T4T** functionality.

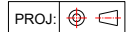
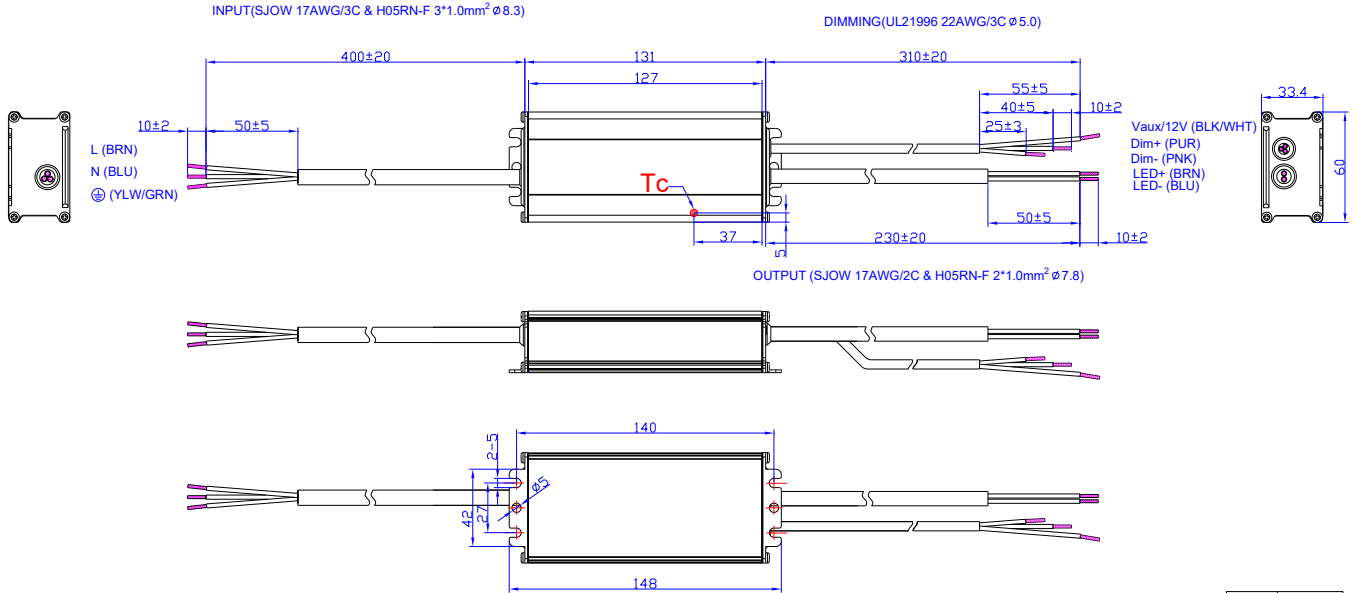
## Mechanical Outline

IT 0-10 100/100-277/0A53 P67 G  
 IT 0-10 100/100-277/1A05 P67 G  
 IT 0-10 100/100-277/2A8 P67 G



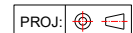
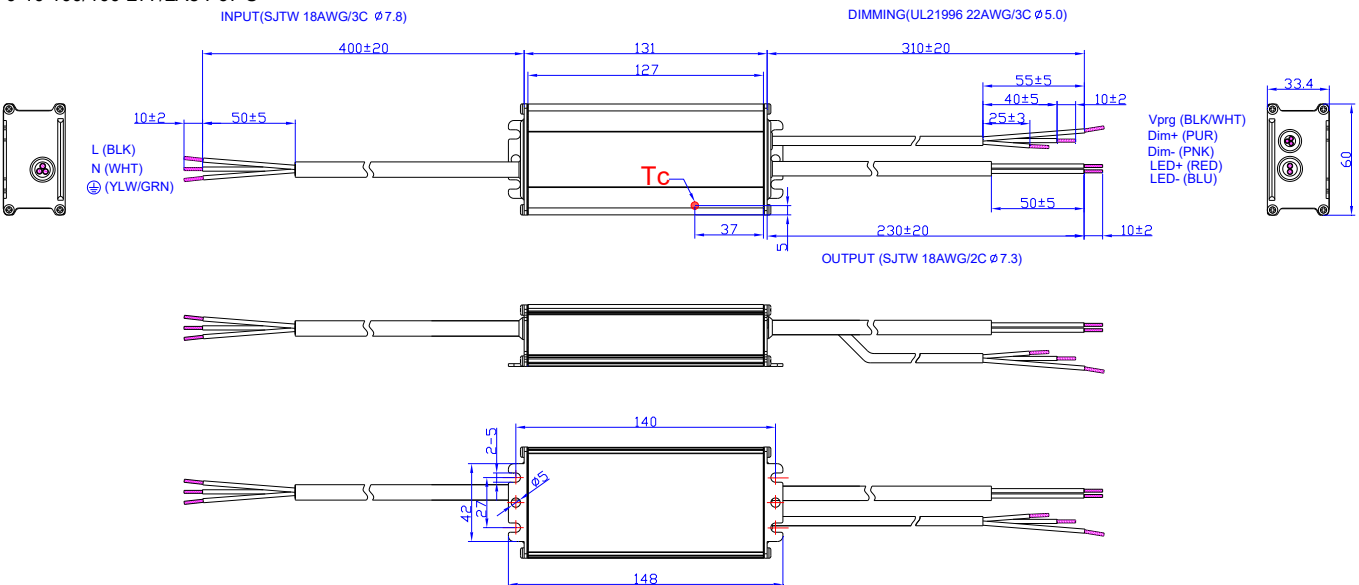
PROJ. Unspecified tolerance:  $\pm 1$

IT 0-10 100/100-277/0A53 P67 G A12  
 IT 0-10 100/100-277/1A05 P67 G A12  
 IT 0-10 100/100-277/2A8 P67 G A12



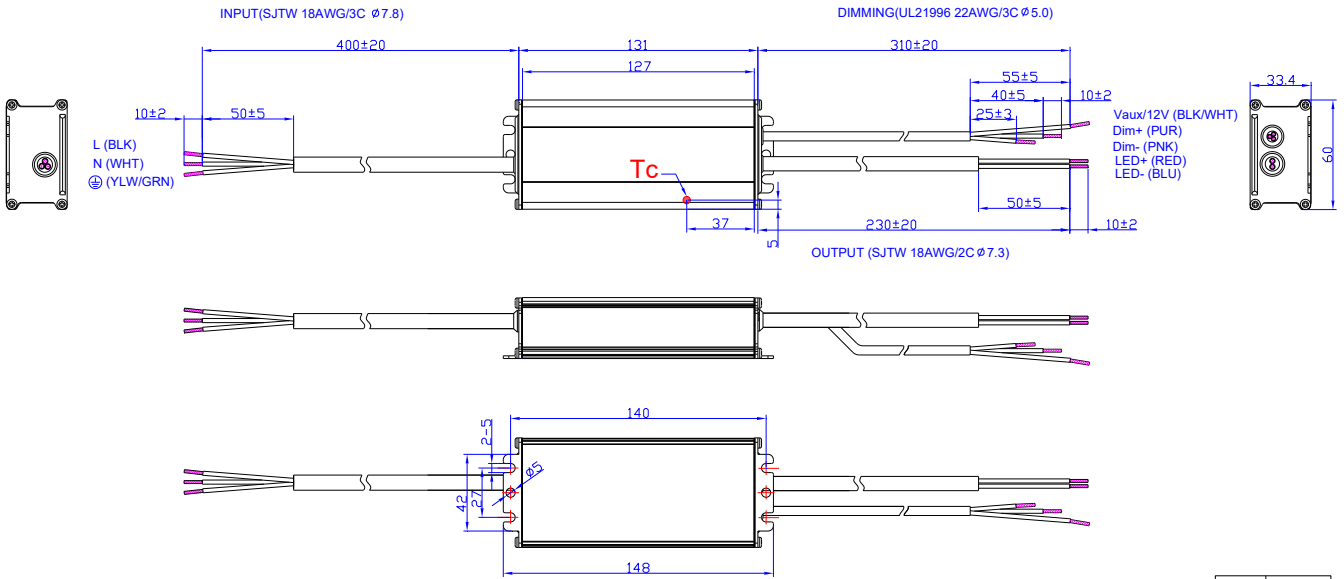
Unspecified tolerance:±1

IT 0-10 100/100-277/1A05 P67 U  
 IT 0-10 100/100-277/2A8 P67 U



Unspecified tolerance:±1

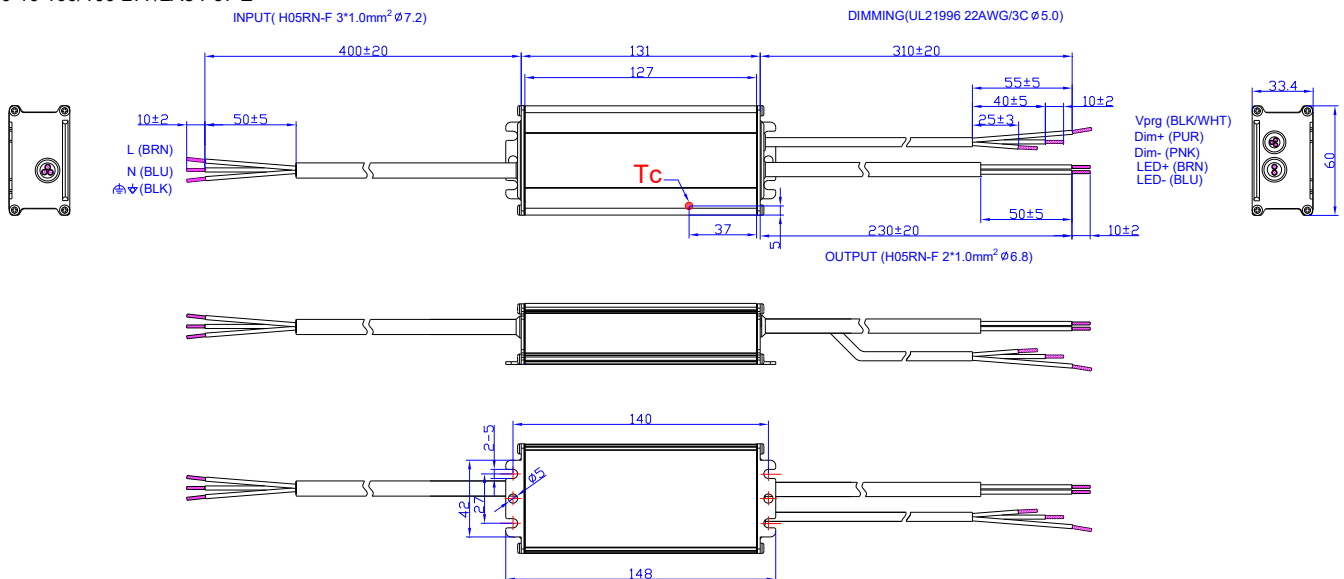
IT 0-10 100/100-277/1A05 P67 U A12  
 IT 0-10 100/100-277/2A8 P67 U A12



PROJ:

Unspecified tolerance:±1

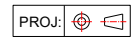
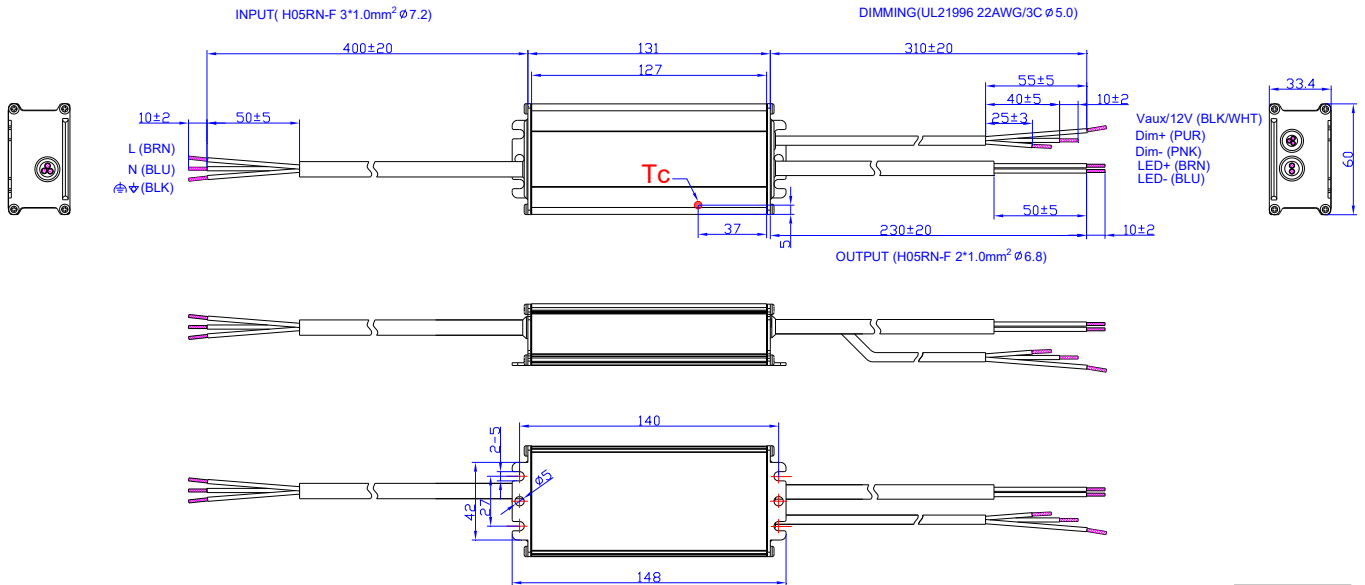
IT 0-10 100/100-277/1A05 P67 E  
 IT 0-10 100/100-277/2A8 P67 E



PROJ:

Unspecified tolerance:±1

IT 0-10 100/100-277/1A05 P67 E A12  
 IT 0-10 100/100-277/2A8 P67 E A12



Unspecified tolerance: ±1

## Environmental Compliance

### RoHS

Our products comply with reference to RoHS Directive (EU) 2015/863 amending 2011/65/EU, calling for the elimination of lead and other hazardous substances from electronic products.

## Product Order Overview

### Order Code & Packaging

Order Code (EAN)	Product Version Name	Certification Markings on Product	Packaging unit (Pieces/Box)	Packing Dimensions (L x W x H)(mm)
6937186133199	IT 0-10 100/100-277/0A53 P67 G	UL, CE, ENEC, CCC	25	490 x 300 x 305
6937186133212	IT 0-10 100/100-277/0A53 P67 G A12	UL, CE, ENEC, CCC	25	490 x 300 x 305
6937186133236	IT 0-10 100/100-277/1A05 P67 G	UL, CE, ENEC, CCC	25	490 x 300 x 305
6937186133250	IT 0-10 100/100-277/1A05 P67 G A12	UL, CE, ENEC, CCC	25	490 x 300 x 305
6937186133274	IT 0-10 100/100-277/2A8 P67 G	UL, CE, ENEC, CCC	25	490 x 300 x 305
6937186133298	IT 0-10 100/100-277/2A8 P67 G A12	UL, CE, ENEC, CCC	25	490 x 300 x 305
6937186133311	IT 0-10 100/100-277/1A05 P67 U	UL Class P, CE	25	490 x 300 x 305
6937186133335	IT 0-10 100/100-277/1A05 P67 U A12	UL Class P, CE	25	490 x 300 x 305
6937186133359	IT 0-10 100/100-277/2A8 P67 U	UL Class P, CE	25	490 x 300 x 305
6937186133373	IT 0-10 100/100-277/2A8 P67 U A12	UL Class P, CE	25	490 x 300 x 305
6937186133533	IT 0-10 100/100-277/1A05 P67 E	ENEC, CE	25	490 x 300 x 305
6937186133557	IT 0-10 100/100-277/1A05 P67 E A12	ENEC, CE	25	490 x 300 x 305
6937186133571	IT 0-10 100/100-277/2A8 P67 E	ENEC, CE	25	490 x 300 x 305
6937186133595	IT 0-10 100/100-277/2A8 P67 E A12	ENEC, CE	25	490 x 300 x 305