

## Features

- Full Power at Wide Output Current Range (Constant Power)
- Adjustable Output Current (AOC) with Programmability
- Isolated 1-10V/10V PWM/3-Timer-Modes Dimmable
- Output Lumen Compensation
- End-of-Life Indicator
- Input Surge Protection: DM 6kV, CM 10kV
- All-Around Protection: OVP, SCP, OTP
- IP66/IP67 and UL Dry/Damp/Wet Location
- LED Class 2, LVLE & SELV Output
- TYPE HL, for use in a Class I, Division 2 Hazardous (Classified) Location
- 5 Years Warranty



## Description

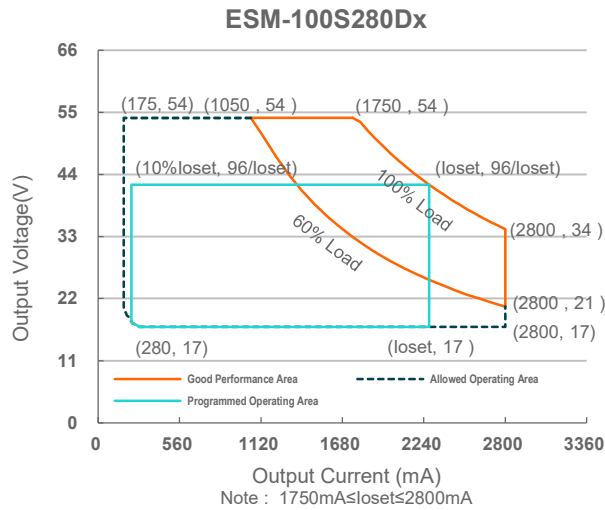
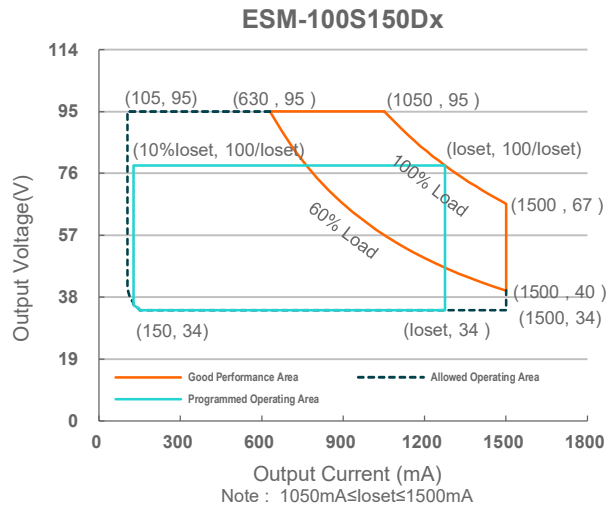
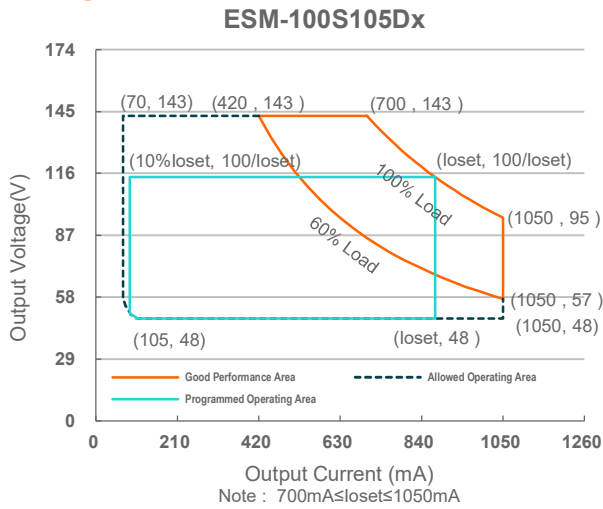
The ESM-100SxxxDx series is a 100W, constant-current, programmable and IP66/IP67 rated LED driver that operates from 249-528Vac input with excellent power factor. It is created for many lighting applications including high bay, tunnel and roadway, etc. The high efficiency of these drivers and compact metal case enables them to run cooler, significantly improving reliability and extending product life. To ensure trouble-free operation, protection is provided against input surge, output over voltage, short circuit, and over temperature.

## Models

Adjustable Output Current Range(mA)	Full-Power Current Range(mA) <sup>(1)</sup>	Default Output Current(mA)	Output Voltage Range(Vdc)	Max. Output Power(W)	Typical Efficiency <sup>(2)</sup>	Typical Power Factor		Model Number <sup>(3)(6)</sup>
						277Vac	480Vac	
70-1050	700-1050	700	48-143	100	92.0%	0.99	0.96	ESM-100S105Dx
105-1500	1050-1500	1050	34-95	100	91.5%	0.99	0.96	ESM-100S150Dx <sup>(4)</sup>
175-2800	1750-2800	2100	17-54	96	90.0%	0.99	0.96	ESM-100S280Dx <sup>(5)</sup>

- Notes:** (1) Output current range with constant power at 100W  
 (2) Measured at 100% load and 480Vac input (see below "General Specifications" for details).  
 (3) Certified input voltage range: 277-480Vac.  
 (4) SELV Output.  
 (5) LED Class 2, LVLE & SELV Output  
 (6) x = G are UL Recognized and ENEC, etc. models; x = T are UL Class P models.

## I-V Operation Area



## Input Specifications

Parameter	Min.	Typ.	Max.	Notes
Input AC Voltage	249 Vac	-	528 Vac	
Input DC Voltage	352 Vdc	-	500 Vdc	
Input Frequency	47 Hz	-	63 Hz	
Leakage Current	-	-	0.75 MIU	UL 8750; 480Vac/ 60Hz
	-	-	0.70 mA	IEC 60598-1; 480Vac/ 60Hz
Input AC Current	-	-	0.46 A	Measured at 100% load and 277 Vac input.
	-	-	0.26 A	Measured at 100% load and 480 Vac input.

## Input Specifications (Continued)

Parameter	Min.	Typ.	Max.	Notes
Inrush Current(I <sup>2</sup> t)	-	-	1.08 A <sup>2</sup> s	At 480Vac input, 25°C cold start, duration=222 μs, 10%I <sub>pk</sub> -10%I <sub>pk</sub> .
PF	0.9	-	-	At 277-480Vac, 50-60Hz, 60%-100% Load (60-100W)
THD	-	-	20%	

## Output Specifications

Parameter	Min.	Typ.	Max.	Notes
Output Current Tolerance	-5%loset	-	5%loset	At 100% load condition
Output Current Setting(loset) Range				
ESM-100S105Dx	70 mA	-	1050 mA	
ESM-100S150Dx	105 mA	-	1500 mA	
ESM-100S280Dx	175 mA	-	2800 mA	
Output Current Setting Range with Constant Power				
ESM-100S105Dx	700 mA	-	1050 mA	
ESM-100S150Dx	1050 mA	-	1500 mA	
ESM-100S280Dx	1750 mA	-	2800 mA	
Total Output Current Ripple (pk-pk)	-	5%I <sub>omax</sub>	10%I <sub>omax</sub>	At 100% load condition. 20 MHz BW
Output Current Ripple at < 200 Hz (pk-pk)	-	2%I <sub>omax</sub>	-	At 100% load condition. Only this component of ripple is associated with visible flicker.
Startup Overshoot Current	-	-	10%I <sub>omax</sub>	At 100% load condition
No Load Output Voltage				
ESM-100S105Dx	-	-	170 V	
ESM-100S150Dx	-	-	120 V	
ESM-100S280Dx	-	-	60 V	
Line Regulation	-	-	±0.5%	Measured at 100% load
Load Regulation	-	-	±1.5%	
Turn-on Delay Time	-	-	0.5 s	Measured at 277-480Vac input, 60%-100% Load
Temperature Coefficient of loset	-	0.03%/°C	-	Case temperature = 0°C ~T <sub>c</sub> max

## General Specifications

Parameter	Min.	Typ.	Max.	Notes
Efficiency at 277 Vac input:				
ESM-100S105Dx				Measured at 100% load and steady-state temperature in 25°C ambient; (Efficiency will be about 2.0% lower if measured immediately after startup.)
I <sub>o</sub> = 700 mA	88.0%	90.0%	-	
I <sub>o</sub> =1050 mA	88.5%	90.5%	-	
ESM-100S150Dx				
I <sub>o</sub> =1050 mA	87.5%	89.5%	-	
I <sub>o</sub> =1500 mA	88.5%	90.5%	-	
ESM-100S280Dx				
I <sub>o</sub> =1750 mA	87.0%	89.0%	-	
I <sub>o</sub> =2800 mA	87.0%	89.0%	-	

## General Specifications (Continued)

Parameter	Min.	Typ.	Max.	Notes
Efficiency at 400 Vac input: ESM-100S105Dx				Measured at 100% load and steady-state temperature in 25°C ambient; (Efficiency will be about 2.0% lower if measured immediately after startup.)
Io= 700 mA	89.0%	91.0%	-	
Io=1050 mA	90.0%	92.0%	-	
ESM-100S150Dx				
Io=1050 mA	88.0%	90.0%	-	
Io=1500 mA	89.5%	91.5%	-	
ESM-100S280Dx				
Io=1750 mA	87.5%	89.5%	-	
Io=2800 mA	88.0%	90.0%	-	
Efficiency at 480 Vac input: ESM-100S105Dx				Measured at 100% load and steady-state temperature in 25°C ambient; (Efficiency will be about 2.0% lower if measured immediately after startup.)
Io= 700 mA	89.0%	91.0%	-	
Io=1050 mA	90.0%	92.0%	-	
ESM-100S150Dx				
Io=1050 mA	88.0%	90.0%	-	
Io=1500 mA	89.5%	91.5%	-	
ESM-100S280Dx				
Io=1750 mA	88.0%	90.0%	-	
Io=2800 mA	88.0%	90.0%	-	
MTBF	-	272,000 Hours	-	Measured at 480Vac input, 80%Load and 25°C ambient temperature (MIL-HDBK-217F)
Lifetime	-	120,000 Hours	-	Measured at 480Vac input, 80%Load and 70°C case temperature; See lifetime vs. Tc curve for the details
Operating Case Temperature for Safety Tc_s	-40°C	-	+90°C	
Operating Case Temperature for Warranty Tc_w	-40°C	-	+80°C	Case temperature for 5 years warranty Humidity: 10%RH to 95%RH
Storage Temperature	-40°C	-	+85°C	Humidity: 5%RH to 95%RH
Dimensions:				With mounting ear
Inches (L × W × H)	5.16 × 2.66 × 1.52			5.83 × 2.66 × 1.52
Millimeters (L × W × H)	131 × 67.5 × 38.5			148 × 67.5 × 38.5
Net Weight	-	702 g	-	

## Dimming Specifications

Parameter	Min.	Typ.	Max.	Notes	
Absolute Maximum Voltage on the Vdim (+) Pin	-20 V	-	20 V		
Source Current on Vdim (+)Pin	200 uA	300 uA	450 uA	Vdim(+) = 0 V	
Dimming Output Range	ESM-100S105Dx ESM-100S150Dx ESM-100S280Dx	10%Io	-	Io	700 mA ≤ Io ≤ 1050 mA 1050 mA ≤ Io ≤ 1500 mA 1750 mA ≤ Io ≤ 2800 mA
	ESM-100S105Dx ESM-100S150Dx ESM-100S280Dx	70 mA 105 mA 175 mA	-	Io	70 mA ≤ Io < 700 mA 105 mA ≤ Io < 1050 mA 175 mA ≤ Io < 1750 mA
	Recommended Dimming Range for 1-10V	1 V	-	9 V	Default 1-10V dimming mode with positive logic.

## Dimming Specifications (Continued)

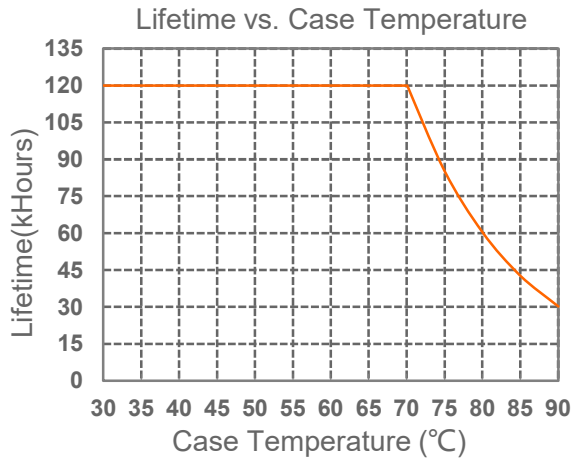
Parameter	Min.	Typ.	Max.	Notes
PWM_in High Level	-	10V	-	
PWM_in Low Level	-	0V	-	
PWM_in Frequency Range	200 Hz	-	2 KHz	
PWM_in Duty Cycle	0%	-	100%	

## Safety & EMC Compliance

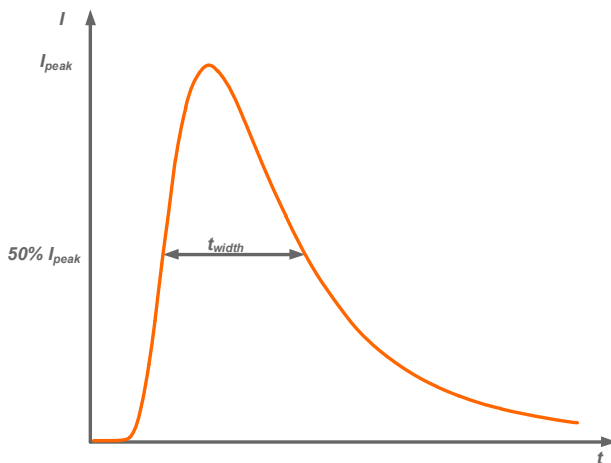
Safety Category	Standard
UL/CUL	UL 8750,CAN/CSA-C22.2 No. 250.13
ENEC & CE	EN 61347-1, EN 61347-2-13
CB	IEC 61347-1, IEC 61347-2-13
Performance	Standard
ENEC	EN IEC 62384
EMI Standards	Notes
EN IEC 55015 <sup>(1)</sup>	Conducted emission Test & Radiated emission Test
EN IEC 61000-3-2	Harmonic current emissions
EN 61000-3-3	Voltage fluctuations & flicker
FCC Part 15 <sup>(1)</sup>	ANSI C63.4 Class B
	This device complies with Part 15 of the FCC Rules. Operation is subject to the following two conditions: [1] this device may not cause harmful interference, and [2] this device must accept any interference received, including interference that may cause undesired Operation.
EMS Standards	Notes
EN 61000-4-2	Electrostatic Discharge (ESD): 8 kV air discharge, 4 kV contact discharge
EN 61000-4-3	Radio-Frequency Electromagnetic Field Susceptibility Test-RS
EN 61000-4-4	Electrical Fast Transient / Burst-EFT
EN 61000-4-5	Surge Immunity Test: AC Power Line: Differential Mode 6 kV, Common Mode 10 kV
EN 61000-4-6	Conducted Radio Frequency Disturbances Test-CS
EN 61000-4-8	Power Frequency Magnetic Field Test
EN 61000-4-11	Voltage Dips
EN 61547	Electromagnetic Immunity Requirements Applies To Lighting Equipment

**Note:** (1) This LED driver meets the EMI specifications above, but EMI performance of a luminaire that contains it depends also on the other devices connected to the driver and on the fixture itself.

## Lifetime vs. Case Temperature

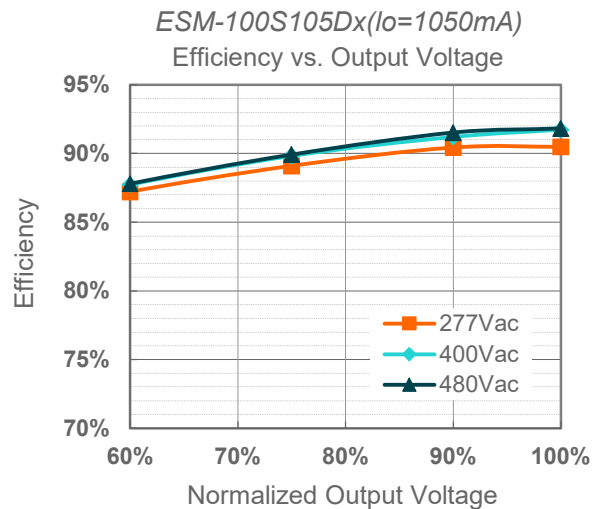
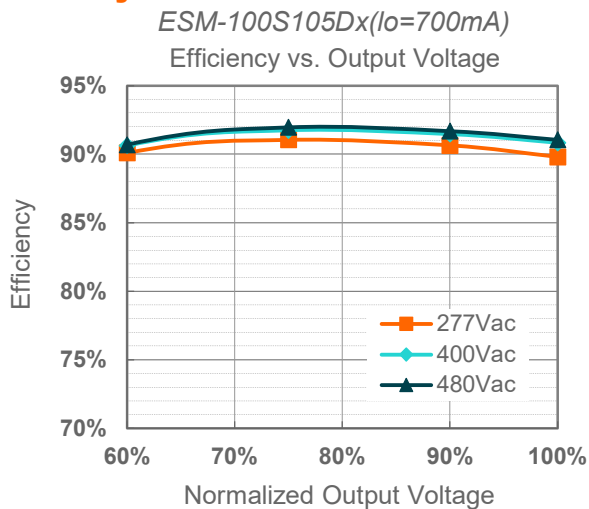


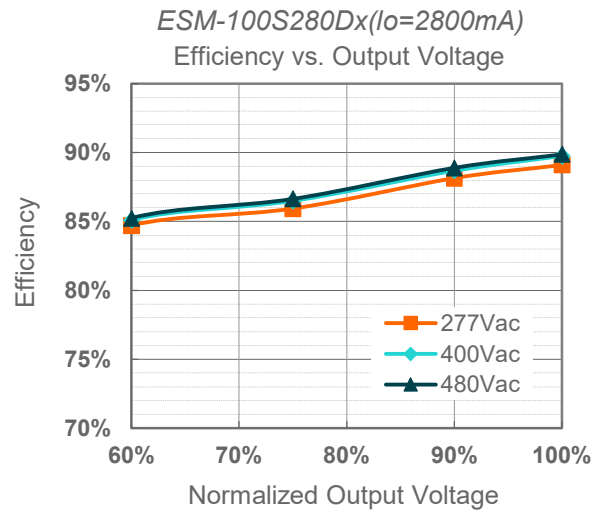
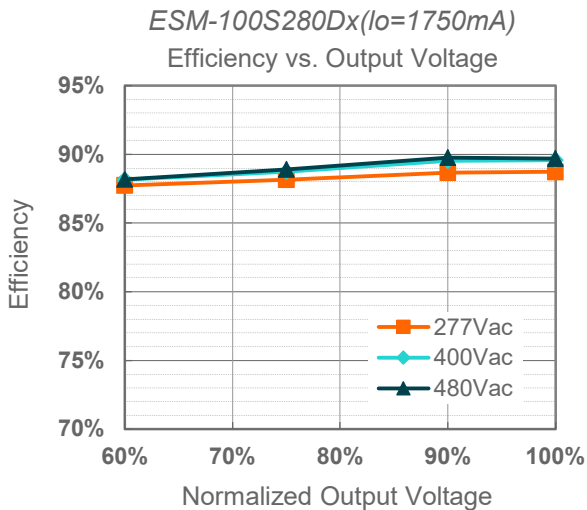
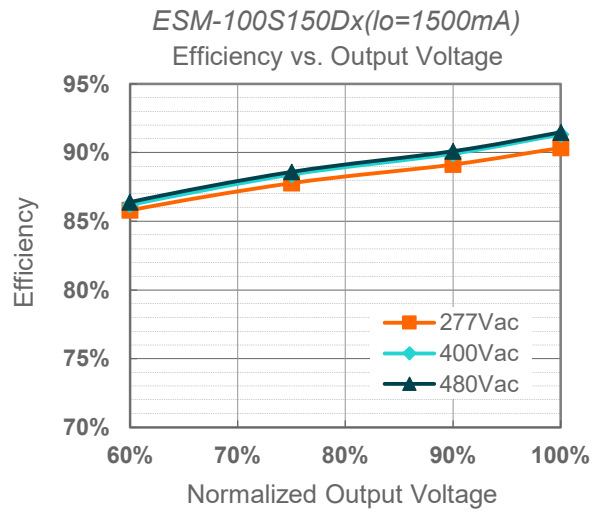
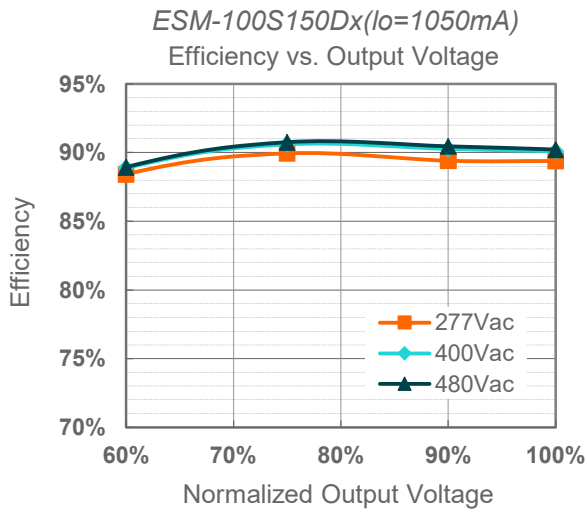
## Inrush Current Waveform



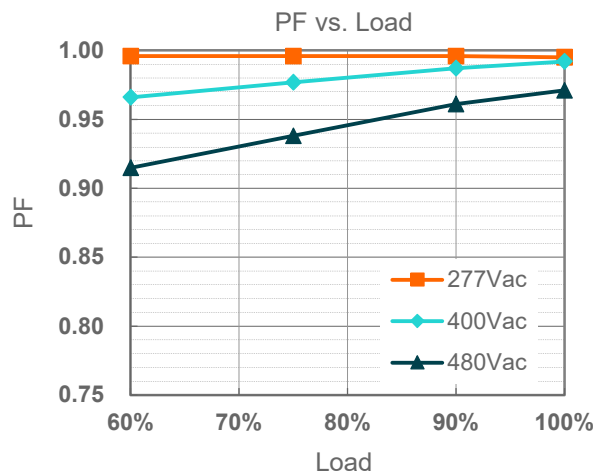
Input AC Voltage	$I_{peak}$	$t_{width}$ (@ 50% $I_{peak}$ )
480Vac	80.5A	112 $\mu$ s

## Efficiency vs. Load

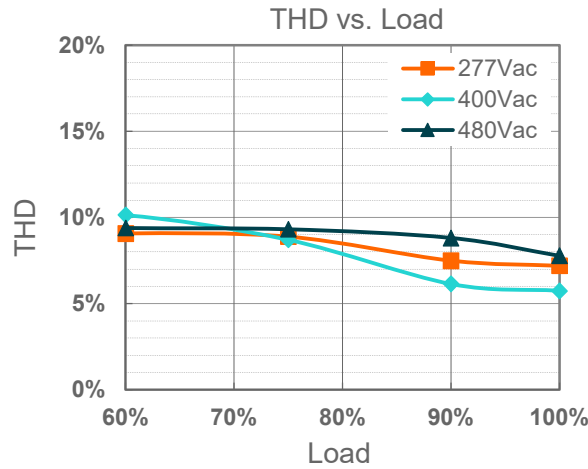




## Power Factor



## Total Harmonic Distortion



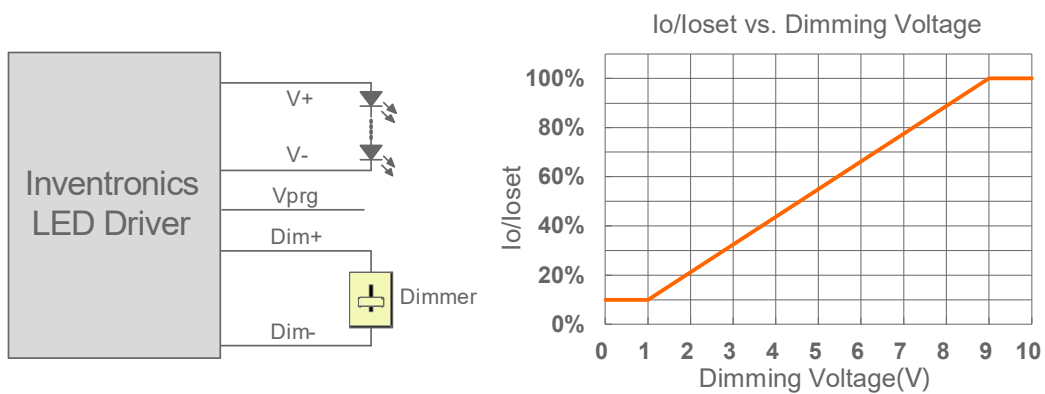
## Protection Functions

Parameter	Notes
Over Temperature Protection	Decreases output current, returning to normal after over temperature is removed.
Short Circuit Protection	Auto Recovery. No damage will occur when any output is short circuited. The output shall return to normal when the fault condition is removed.
Over Voltage Protection	Limits output voltage at no load and in case the normal voltage limit fails.

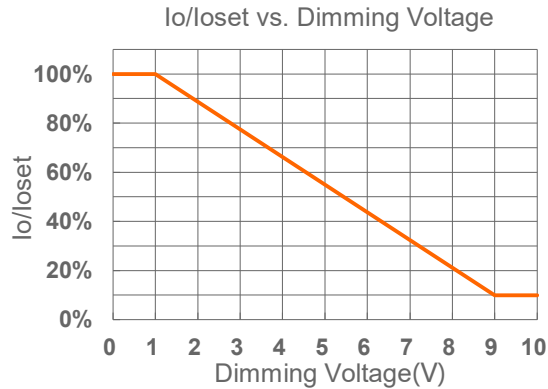
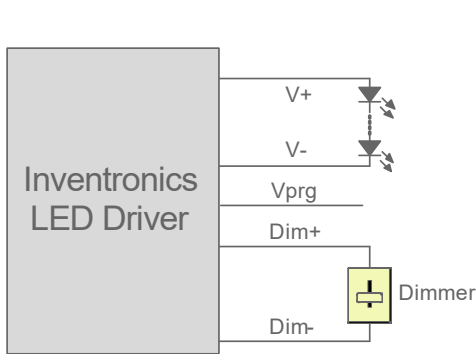
## Dimming

### ● 1-10V Dimming

The recommended implementation of the dimming control is provided below.



Implementation 1: Positive logic



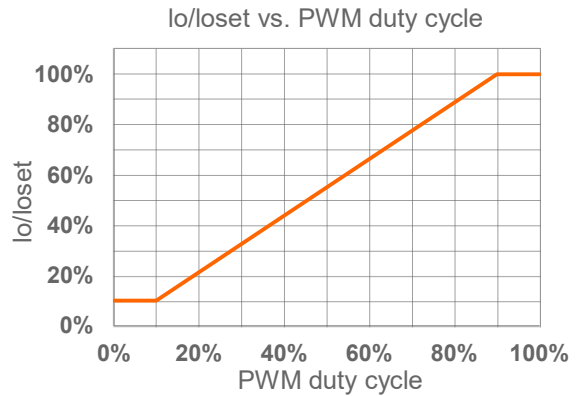
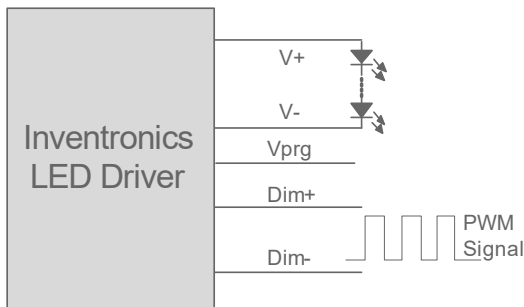
**Implementation 2: Negative logic**

**Notes:**

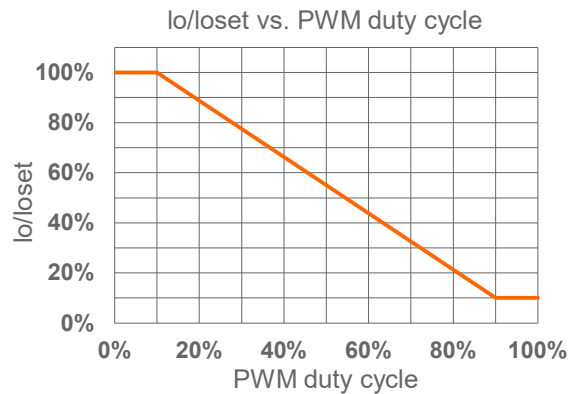
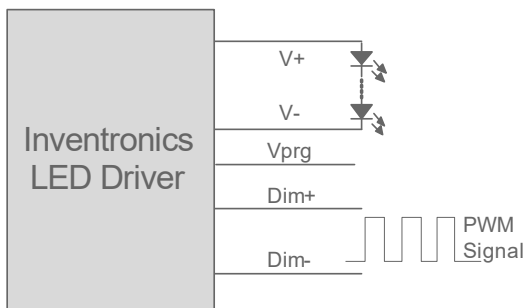
1. Do NOT connect Dim- to the output V- or V+, otherwise the driver will not work properly.
2. The dimmer can also be replaced by an active 1-10V voltage source signal or passive components like zener.
3. When 1-10V negative logic dimming mode and Dim+ is open, the driver will output minimum current.

● **10V PWM Dimming**

The recommended implementation of the dimming control is provided below.



**Implementation 3: Positive logic**



**Implementation 4: Negative logic**

**Notes:**

1. Do NOT connect Dim- to the output V- or V+, otherwise the driver will not work properly.
2. When 10V PWM negative logic dimming mode and Dim+ is open, the driver will output minimum current.

● **Time Dimming**

Time dimming control includes 3 kinds of modes, they are Self Adapting-Midnight, Self Adapting-Percentage and Traditional Timer.

- **Self Adapting-Midnight:** Automatically adjusts the dimming curve based on the on-time of past two days (if difference <15 minutes), assuming that the center point of the dimming curve is midnight local time.
- **Self Adapting-Percentage:** Automatically adjusts the on-time of each step by a constant percentage = (actual on-time for the past 2 days if difference <15 min) / (programmed on-time from the dimming curve).
- **Traditional Timer:** Follows the programmed timing curve after power on with no changes.

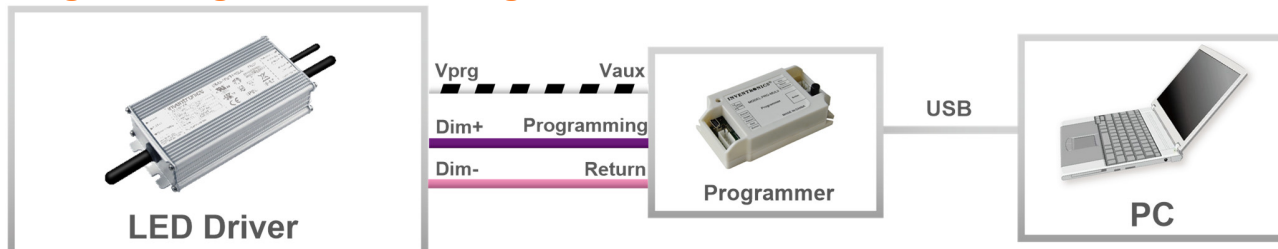
● **Output Lumen Compensation**

Output Lumen Compensation (OLC) may be used to maintain constant light output over the life of the LEDs by driving them at a reduced current when new, then gradually increasing the drive current over time to counteract LED lumen degradation.

● **End Of Life**

End-of-Life (EOL) is providing a visual notification to a user that the LED module has reached the end of manufacturer-specified life and that the replacement is recommended. Once active, an indication is given at each power-up of the driver, which the driver indicates this through a lower light output during the first 1 minute before normal operation is continued.

**Programming Connection Diagram**

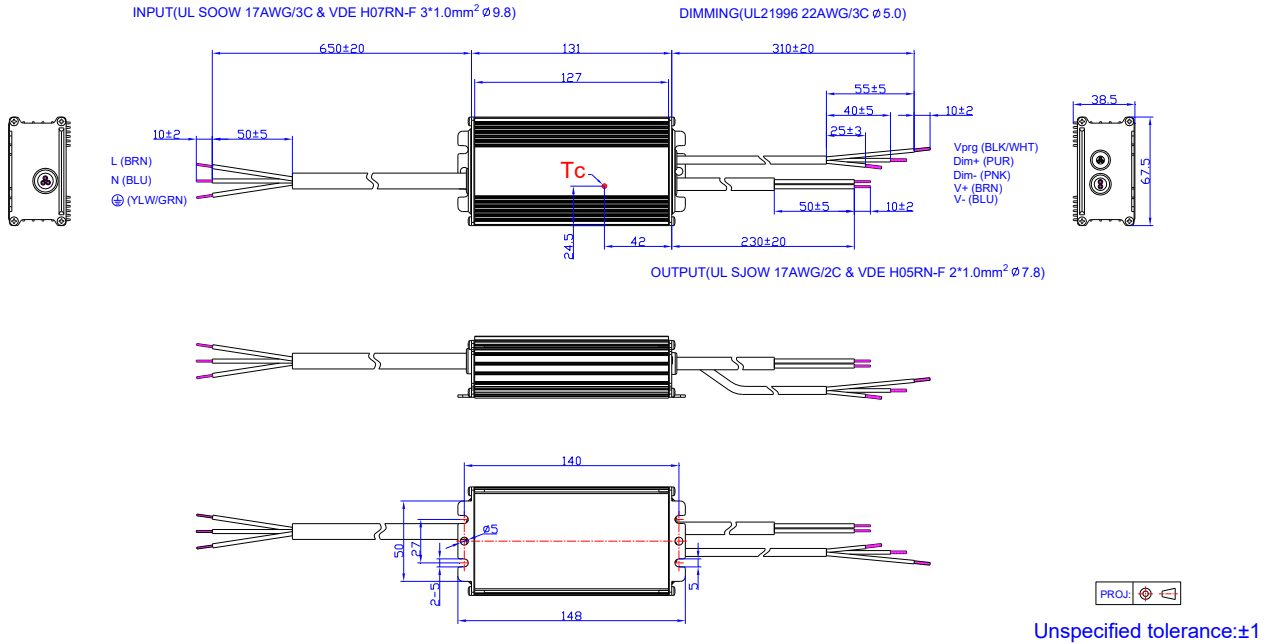


**Note:** The driver does not need to be powered on during the programming process.

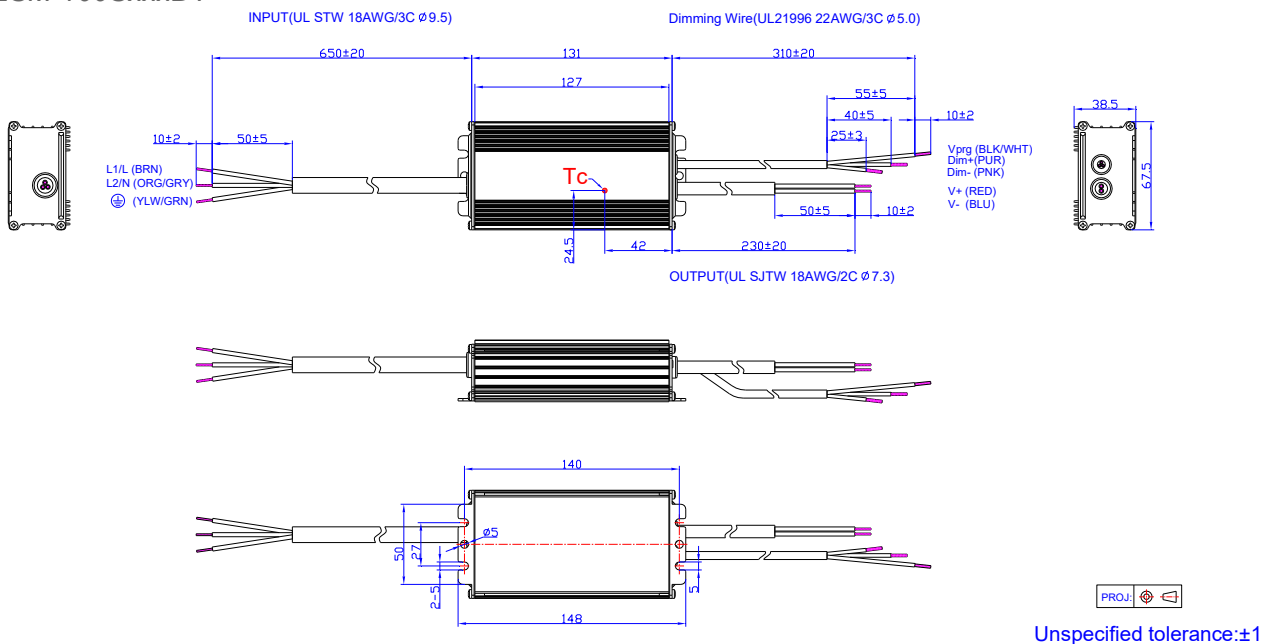
- Please refer to [PRG-MUL2 \(Programmer\)](#) datasheet for details.

## Mechanical Outline

### ESM-100SxxxDG



### ESM-100SxxxDT



## RoHS Compliance

Our products comply with reference to RoHS Directive (EU) 2015/863 amending 2011/65/EU, calling for the elimination of lead and other hazardous substances from electronic products.

## Revision History

Change Date	Rev.	Description of Change		
		Item	From	To
2022-03-15	A	Datasheets Release	/	/
2022-07-05	B	Features	/	Added
		Models	Notes(5)	Updated
2023-06-25	C	Product Photograph	/	Updated
		I-V Operation Area	/	Updated
		Safety &EMC Compliance	/	Updated
		Dimming	/	Updated
		Programming Connection Diagram	/	Updated
		Mechanical Outline	/	Updated
2026-03-16	D	Format	/	Updated
		Product Photograph	/	Updated
		UKCA logo	/	Deleted
		Safety &EMC Compliance	/	Updated
		Inrush Current Waveform	/	Updated