

Features

- Full Power at Wide Output Current Range (Constant Power)
- Adjustable Output Current (AOC) with NFC
- Isolated 0-10V/PWM/3-Timer-Modes Dimmable
- INV Digital Dimming, UART Based Communication Protocol Compliant with T/CSA-051
- Dim-to-Off with Standby Power
- Always-on Auxiliary Power: 12Vdc, 250mA, 3W (Transient Peak Power up to 10W)
- Integrated Power Metering with High Accuracy up to $\pm 1\%$
- Low Inrush Current
- Output Lumen Compensation
- End-of-Life Indicator
- Thermal Sensing and Protection for LED Module
- Input Surge Protection: DM 6kV, CM 10kV
- All-Around Protection: IUVP, IOVP, OVP, SCP, OTP
- IP66/IP67 and UL Dry/Damp/Wet Location
- TYPE HL, for Use in a Class I, Division 2 Hazardous (Classified) Location
- 5 Years Warranty



Description

The ESM-320SxxxLx series is a 320W, constant-current, NFC programmable and IP66/IP67 rated LED driver that operates from 249-528Vac input with excellent power factor. Created for smart lighting and health monitoring applications, this family provides integrated AC power monitoring with an auxiliary voltage and dim-to-off functionality for powering low voltage, wireless controls. The dimming control supports 0-10V dimming as well as two-way communication via Digital Dimming, a UART based communication protocol that complies with T/CSA-051. The high efficiency of these drivers and compact metal case enables them to run cooler, significantly improving reliability and extending product life. To ensure trouble-free operation, protection is provided against input surge, input under voltage, input over voltage, output over voltage, short circuit, and over temperature.

Models

Adjustable Output Current Range(mA)	Full-Power Current Range(mA) ⁽¹⁾	Default Output Current(mA)	Output Voltage Range(Vdc)	Max. Output Power(W)	Typical Efficiency ⁽²⁾	Typical Power Factor		Model Number ⁽³⁾⁽⁵⁾
						277Vac	480Vac	
70-1050	700-1050	700	153-457	320	95.0%	0.99	0.96	ESM-320S105Lx
105-1500	1050-1500	1400	107-305	320	94.5%	0.99	0.96	ESM-320S150Lx
175-2500	1750-2500	2100	64-183	320	94.5%	0.99	0.96	ESM-320S250Lx
285-5000	2850-5000	4900	32-112	320	94.0%	0.99	0.96	ESM-320S500Lx ⁽⁴⁾
535-7600	5350-7600	6700	21-60	320	94.0%	0.99	0.96	ESM-320S760Lx ⁽⁴⁾

Notes: (1) Output current range with constant power at 320W

(2) Measured at 100% load and 480Vac input (see below "General Specifications" for details).

(3) Certified input voltage range: 277-480Vac.

(4) SELV Output.

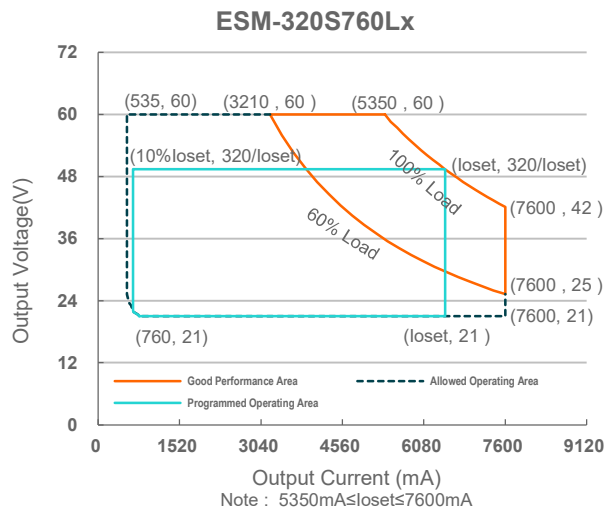
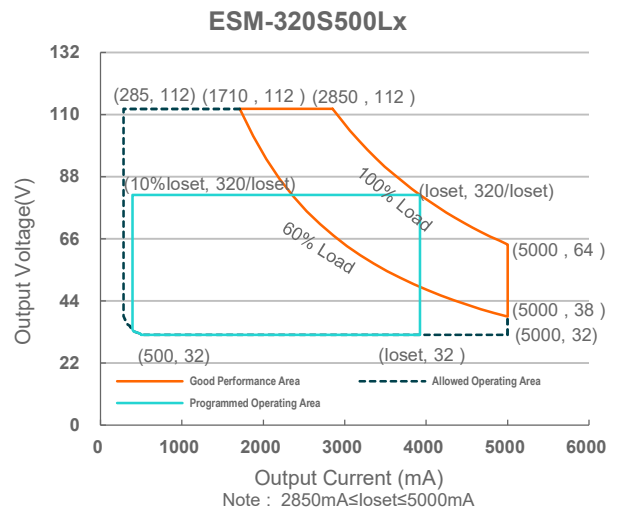
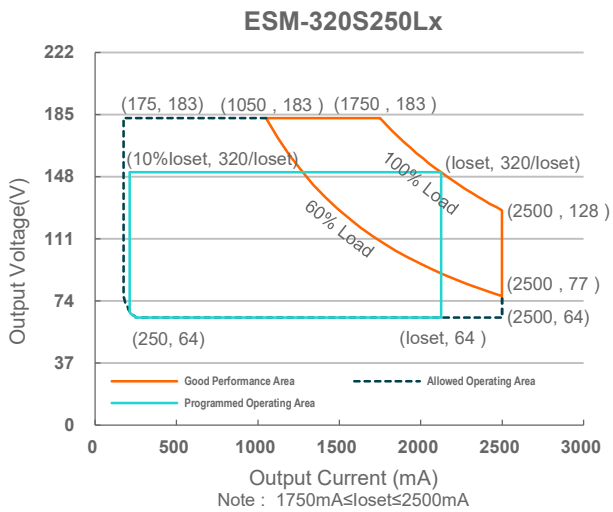
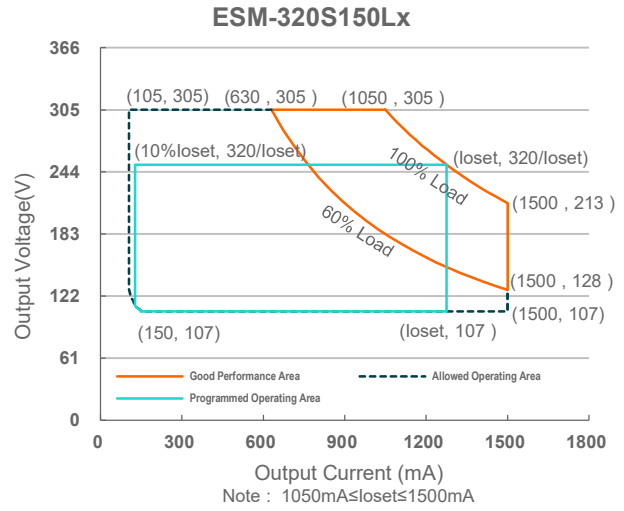
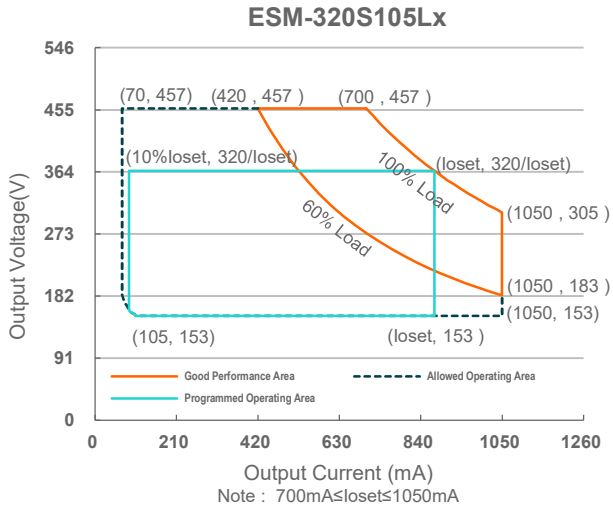
(5) x = G are UL Recognized and ENEC, etc. models; x = T are UL Class P models.

1 / 17

Specifications are subject to changes without notice.

All specifications are typical at 25 °C unless otherwise stated.

I-V Operation Area



Input Specifications

Parameter	Min.	Typ.	Max.	Notes
Input AC Voltage	249 Vac	-	528 Vac	
Input DC Voltage	352 Vdc	-	500 Vdc	
Input Frequency	47 Hz	-	63 Hz	
Leakage Current	-	-	0.75 MIU	UL 8750; 480Vac/ 60Hz
	-	-	0.70 mA	IEC 60598-1; 480Vac/ 60Hz
Input AC Current	-	-	1.40 A	Measured at 100% load and 277 Vac input.
	-	-	0.80 A	Measured at 100% load and 480 Vac input.
Inrush Current(I ² t)	-	-	1.25 A ² s	At 480Vac input, 25°C cold start, duration=4.62 ms, 10%I _{pk} -10%I _{pk} .
PF	0.9	-	-	At 277-480Vac, 50-60Hz, 60%-100%Load (192-320W)
THD	-	-	20%	

Output Specifications

Parameter	Min.	Typ.	Max.	Notes
Output Current Tolerance	-5%loset	-	5%loset	At 100% load condition
Output Current Setting(loset) Range				
ESM-320S105Lx	70 mA	-	1050 mA	
ESM-320S150Lx	105 mA	-	1500 mA	
ESM-320S250Lx	175 mA	-	2500 mA	
ESM-320S500Lx	285 mA	-	5000 mA	
ESM-320S760Lx	535 mA	-	7600 mA	
Output Current Setting Range with Constant Power				
ESM-320S105Lx	700 mA	-	1050 mA	
ESM-320S150Lx	1050 mA	-	1500 mA	
ESM-320S250Lx	1750 mA	-	2500 mA	
ESM-320S500Lx	2850 mA	-	5000 mA	
ESM-320S760Lx	5350 mA	-	7600 mA	
Total Output Current Ripple (pk-pk)	-	5%I _{omax}	10%I _{omax}	At 100% load condition. 20 MHz BW
Output Current Ripple at < 200 Hz (pk-pk)	-	2%I _{omax}	-	At 100% load condition. Only this component of ripple is associated with visible flicker.
Startup Overshoot Current	-	-	10%I _{omax}	At 100% load condition
No Load Output Voltage				
ESM-320S105Lx	-	-	550 V	
ESM-320S150Lx	-	-	380 V	
ESM-320S250Lx	-	-	230 V	
ESM-320S500Lx	-	-	120 V	
ESM-320S760Lx	-	-	70 V	
Line Regulation	-	-	±0.5%	Measured at 100% load
Load Regulation	-	-	±1.5%	

Output Specifications (Continued)

Parameter	Min.	Typ.	Max.	Notes
Turn-on Delay Time	-	-	0.5 s	Measured at 277-480Vac input, 60%-100% Load
Temperature Coefficient of I _o set	-	0.03%/°C	-	Case temperature = 0°C ~T _c max
12V Auxiliary Output Voltage	10.8 V	12 V	13.2 V	
12V Auxiliary Output Source Current	0 mA	-	250 mA	Return terminal is "Dim"
12V Auxiliary Output Transient Peak Current@ 6W	-	-	500 mA	500mA peak for a maximum duration of 2.2ms in a 6.0ms period during which time the average should not exceed 250mA.
12V Auxiliary Output Transient Peak Current@10W	-	-	850 mA	850mA peak for a maximum duration of 1.3ms in a 5.2ms period during which time the average should not exceed 250mA.

General Specifications

Parameter	Min.	Typ.	Max.	Notes
Efficiency at 277 Vac input:				
ESM-320S105Lx				Measured at 100% load and steady-state temperature in 25°C ambient; (Efficiency will be about 2.0% lower if measured immediately after startup.)
I _o = 700 mA	92.0%	94.0%	-	
I _o =1050 mA	91.5%	93.5%	-	
ESM-320S150Lx				
I _o =1050 mA	91.0%	93.0%	-	
I _o =1500 mA	91.0%	93.0%	-	
ESM-320S250Lx				
I _o =1750 mA	91.5%	93.5%	-	
I _o =2500 mA	91.0%	93.0%	-	
ESM-320S500Lx				
I _o =2850 mA	91.0%	93.0%	-	
I _o =5000 mA	89.5%	91.5%	-	
ESM-320S760Lx				
I _o =5350 mA	90.5%	92.5%	-	
I _o =7600 mA	89.5%	91.5%	-	
Efficiency at 400 Vac input:				
ESM-320S105Lx				Measured at 100% load and steady-state temperature in 25°C ambient; (Efficiency will be about 2.0% lower if measured immediately after startup.)
I _o = 700 mA	93.0%	95.0%	-	
I _o =1050 mA	92.5%	94.5%	-	
ESM-320S150Lx				
I _o =1050 mA	92.0%	94.0%	-	
I _o =1500 mA	92.0%	94.0%	-	
ESM-320S250Lx				
I _o =1750 mA	92.5%	94.5%	-	
I _o =2500 mA	92.0%	94.0%	-	
ESM-320S500Lx				
I _o =2850 mA	92.0%	94.0%	-	
I _o =5000 mA	90.5%	92.5%	-	
ESM-320S760Lx				
I _o =5350 mA	91.5%	93.5%	-	
I _o =7600 mA	91.0%	93.0%	-	

General Specifications (Continued)

Parameter	Min.	Typ.	Max.	Notes
Efficiency at 480 Vac input: ESM-320S105Lx				Measured at 100% load and steady-state temperature in 25°C ambient; (Efficiency will be about 2.0% lower if measured immediately after startup.)
Io= 700 mA	93.0%	95.0%	-	
Io=1050 mA	93.0%	95.0%	-	
ESM-320S150Lx				
Io=1050 mA	92.5%	94.5%	-	
Io=1500 mA	92.0%	94.0%	-	
ESM-320S250Lx				
Io=1750 mA	92.5%	94.5%	-	
Io=2500 mA	92.0%	94.0%	-	
ESM-320S500Lx				
Io=2850 mA	92.0%	94.0%	-	
Io=5000 mA	91.0%	93.0%	-	
ESM-320S760Lx				
Io=5350 mA	92.0%	94.0%	-	
Io=7600 mA	91.0%	93.0%	-	
Power Metering Accuracy	-1%	-	1%	At 100% load condition
Standby Power	-	1.5 W	-	Measured at 480Vac/50Hz; Dimming off
MTBF	-	219,000 Hours	-	Measured at 480Vac input, 80%Load and 25°C ambient temperature (MIL-HDBK-217F)
Lifetime	-	105,000 Hours	-	Measured at 480Vac input, 80%Load and 70°C case temperature; See lifetime vs. Tc curve for the details
Operating Case Temperature for Safety Tc_s	-40°C	-	+90°C	
Operating Case Temperature for Warranty Tc_w	-40°C	-	+80°C	Case temperature for 5 years warranty Humidity: 10% RH to 95% RH
Storage Temperature	-40°C	-	+85°C	Humidity: 5%RH to 95%RH
Dimensions				With mounting ear
Inches (L × W × H)	8.82 × 3.35 × 1.75			9.57 × 3.35 × 1.75
Millimeters (L × W × H)	224 × 85 × 44.5			243 × 85 × 44.5
Net Weight	-	1630 g	-	

Dimming Specifications

Parameter	Min.	Typ.	Max.	Notes	
Absolute Maximum Voltage on the Vdim (+) Pin	-20 V	-	20 V		
Source Current on Vdim (+)Pin	200 uA	300 uA	450 uA	Vdim(+) = 0 V	
Dimming Output Range	ESM-320S105Lx ESM-320S150Lx ESM-320S250Lx ESM-320S500Lx ESM-320S760Lx	10%Io	-	Io	700 mA ≤ Io ≤ 1050 mA 1050 mA ≤ Io ≤ 1500 mA 1750 mA ≤ Io ≤ 2500 mA 2850 mA ≤ Io ≤ 5000 mA 5350 mA ≤ Io ≤ 7600 mA
	ESM-320S105Lx ESM-320S150Lx ESM-320S250Lx ESM-320S500Lx ESM-320S760Lx	70 mA 105 mA 175 mA 285 mA 535 mA	-	Io	70 mA ≤ Io < 700 mA 105 mA ≤ Io < 1050 mA 175 mA ≤ Io < 1750 mA 285 mA ≤ Io < 2850 mA 535 mA ≤ Io < 5350 mA

Dimming Specifications (Continued)

Parameter	Min.	Typ.	Max.	Notes
Recommended Dimming Input Range	0 V	-	10 V	Default 0-10V dimming mode.
Dim off Voltage	0.35 V	0.5 V	0.65 V	
Dim on Voltage	0.55 V	0.7 V	0.85 V	
Hysteresis	-	0.2 V	-	
PWM_in High Level	3 V	-	10 V	Dimming mode set to PWM in Inventronics Programming Software.
PWM_in Low Level	-0.3 V	-	0.6 V	
PWM_in Frequency Range	200 Hz	-	3 KHz	
PWM_in Duty Cycle	1%	-	99%	
PWM Dimming off (Positive Logic)	3%	5%	8%	
PWM Dimming on (Positive Logic)	5%	7%	10%	
PWM Dimming off (Negative Logic)	92%	95%	97%	
PWM Dimming on (Negative Logic)	90%	93%	95%	
Hysteresis	-	2%	-	

Safety & EMC Compliance

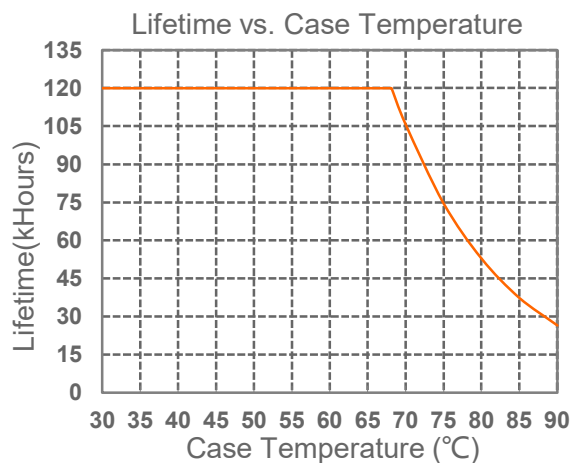
Safety Category	Standard
UL/CUL	UL 8750, CAN/CSA-C22.2 No. 250.13
ENEC	EN 61347-1, EN 61347-2-13
CE	EN 61347-1, EN 61347-2-13 EN 301 489-1 EN 301 489-3 EN 300 330 EN 62479/EN 50663/EN 50665/EN 50364
CB	IEC 61347-1, IEC 61347-2-13
EAC	TP TC 004, TP TC 020
Performance	Standard
ENEC	EN IEC 62384

Safety & EMC Compliance (Continued)

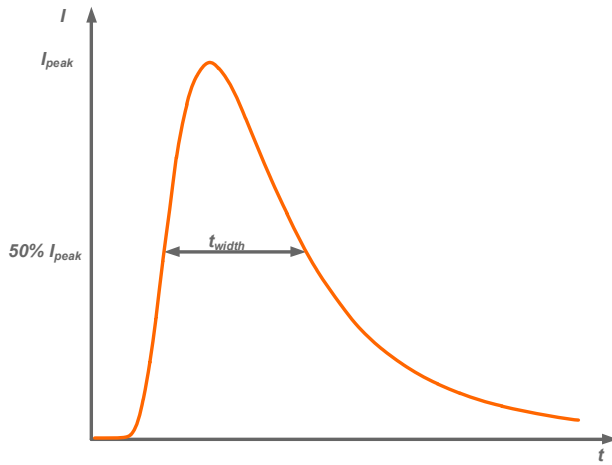
EMI Standards	Notes
EN IEC 55015 ⁽¹⁾	Conducted emission Test & Radiated emission Test
EN IEC 61000-3-2	Harmonic current emissions
EN 61000-3-3	Voltage fluctuations & flicker
FCC Part 15 ⁽¹⁾	ANSI C63.4 Class B
	This device complies with Part 15 of the FCC Rules. Operation is subject to the following two conditions: [1] this device may not cause harmful interference, and [2] this device must accept any interference received, including interference that may cause undesired Operation.
EMS Standards	Notes
EN 61000-4-2	Electrostatic Discharge (ESD): 8 kV air discharge, 4 kV contact discharge
EN 61000-4-3	Radio-Frequency Electromagnetic Field Susceptibility Test-RS
EN 61000-4-4	Electrical Fast Transient / Burst-EFT
EN 61000-4-5	Surge Immunity Test: AC Power Line: Differential Mode 6 kV, Common Mode 10 kV
EN 61000-4-6	Conducted Radio Frequency Disturbances Test-CS
EN 61000-4-8	Power Frequency Magnetic Field Test
EN 61000-4-11	Voltage Dips
EN 61547	Electromagnetic Immunity Requirements Applies To Lighting Equipment

Note: (1) This LED driver meets the EMI specifications above, but EMI performance of a luminaire that contains it depends also on the other devices connected to the driver and on the fixture itself.

Lifetime vs. Case Temperature

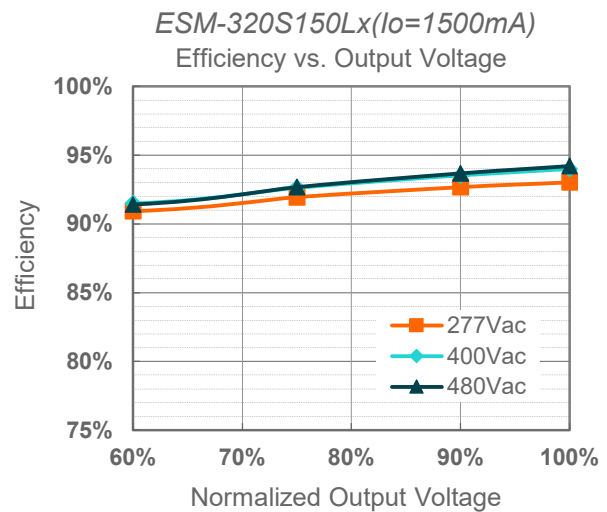
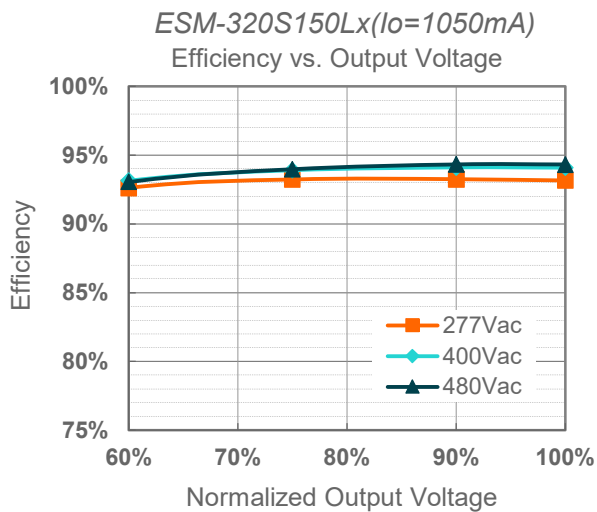
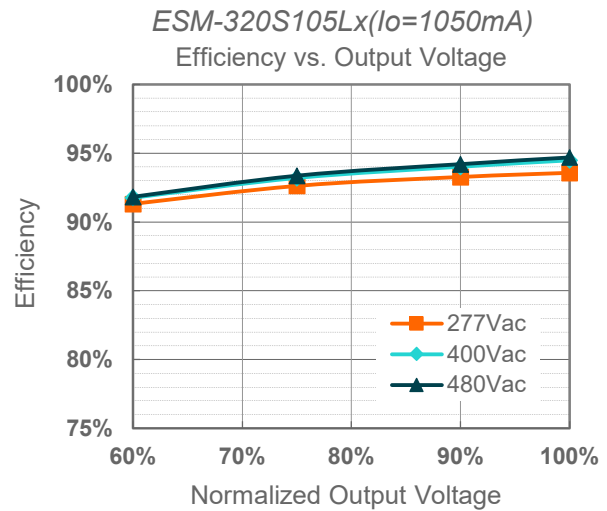
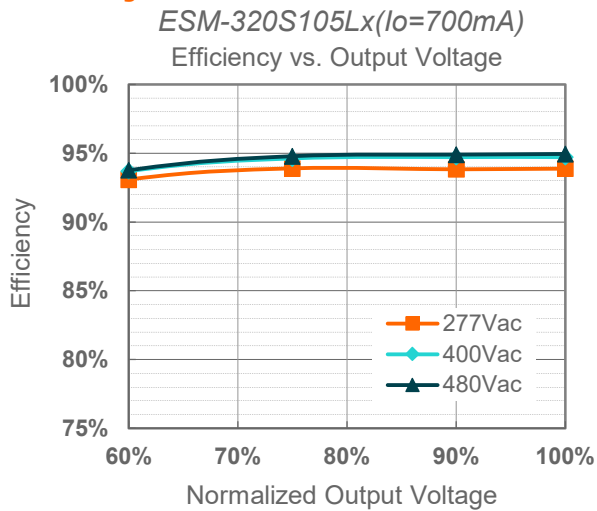


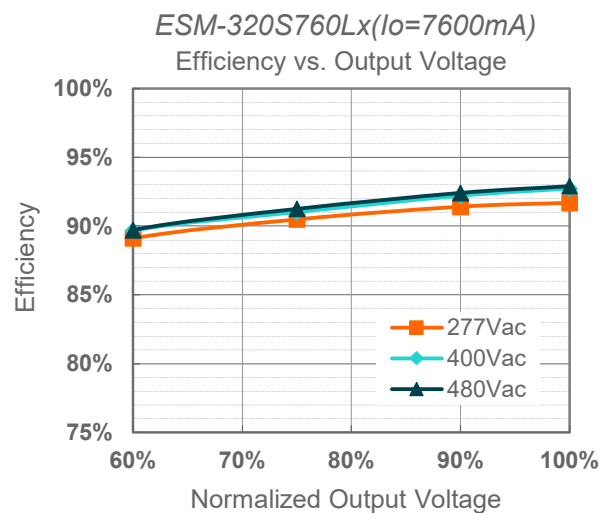
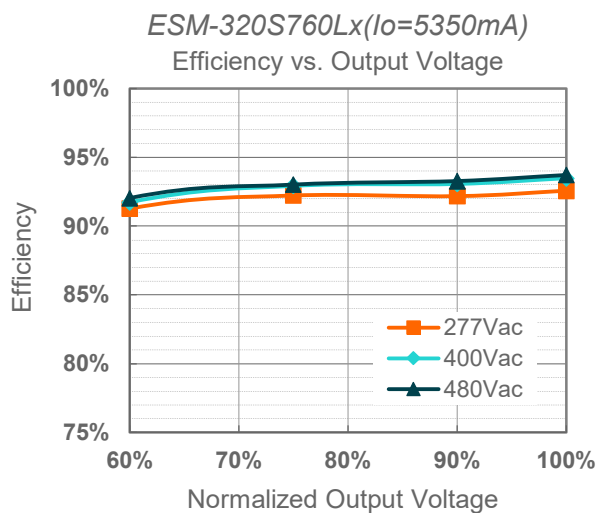
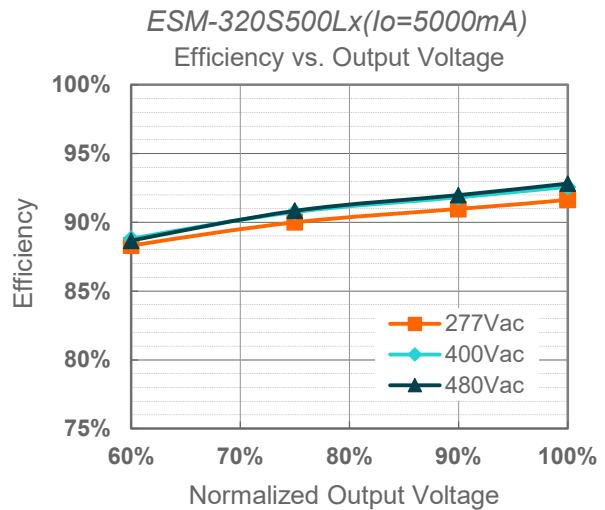
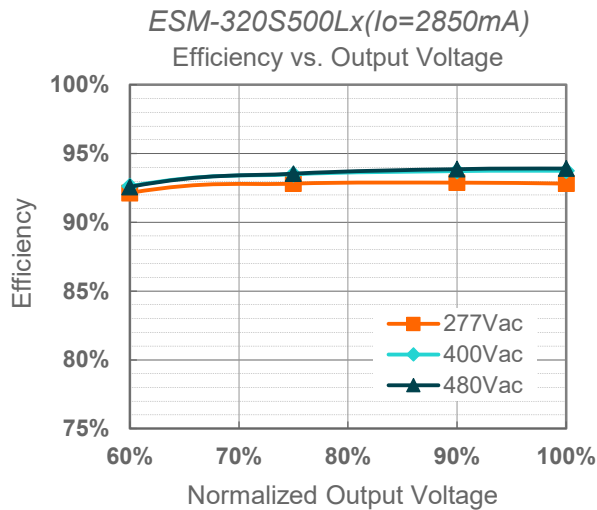
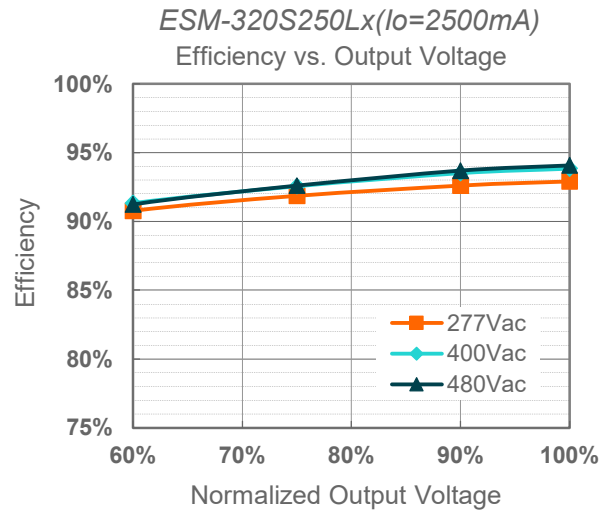
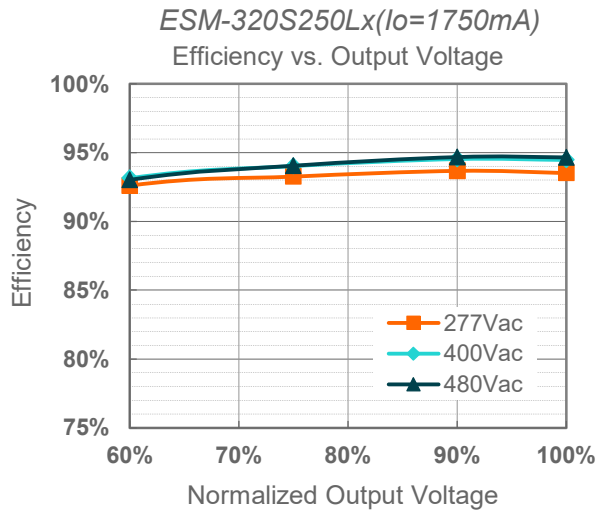
Inrush Current Waveform



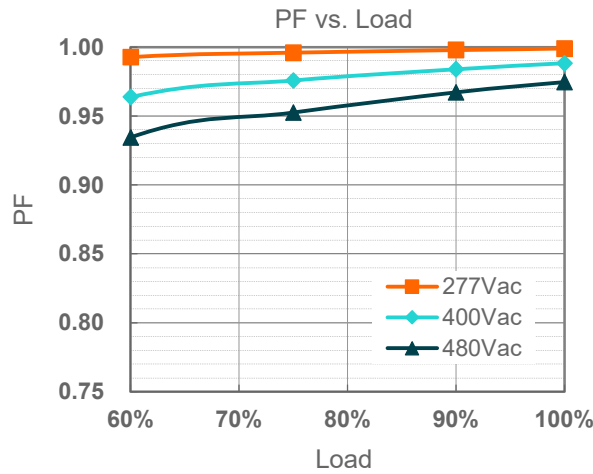
Input AC Voltage	I_{peak}	t_{width} (@ $50\% I_{peak}$)
480Vac	19.0A	1.50ms

Efficiency vs. Load

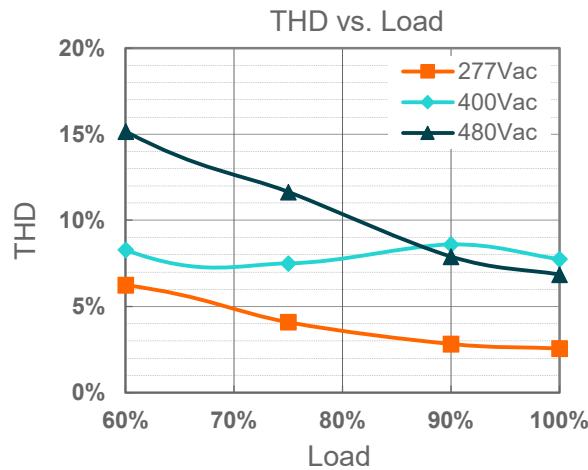




Power Factor



Total Harmonic Distortion



Protection Functions

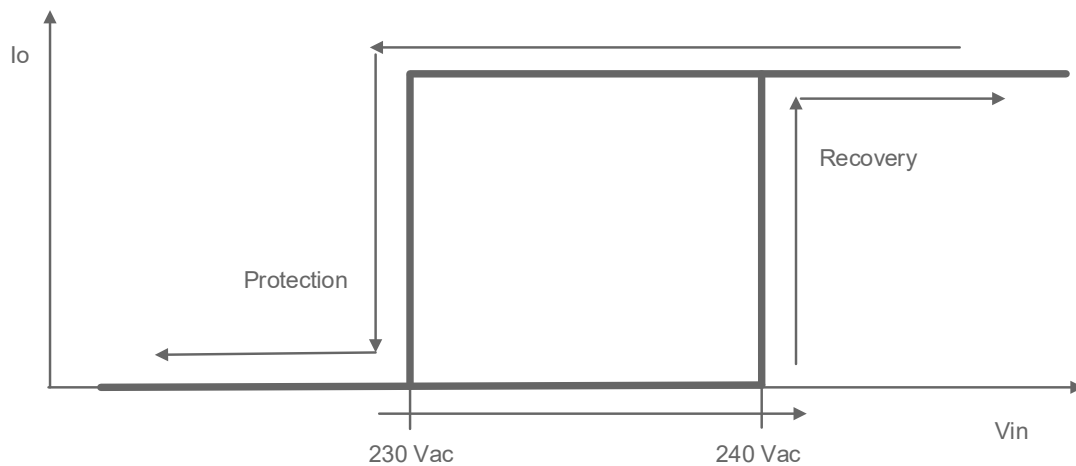
Parameter		Min.	Typ.	Max.	Notes
External Thermal Protection	R1 (Start derating)	-	1.67 kΩ	-	The output current starts to decrease linearly when the actual NTC resistance value is lower than R1, until R2 is reached.
	R2 (Stop derating)	-	1.27 kΩ	-	When the actual NTC resistance value is lower than R2, the output current will stay at the programmed Protection Current Floor.
	Protection Current Floor	10%loset	20%loset	100%loset	10%loset > I _{omin} (default setting is 20%)
I _{omin}		20%loset	100%loset	10%loset ≤ I _{omin} (default setting is 20%)	
Over Temperature Protection		Decreases output current, returning to normal after over temperature is removed.			
Short Circuit Protection		Auto Recovery. No damage will occur when any output is short circuited. The output shall return to normal when the fault condition is removed.			
Over Voltage Protection		Limits output voltage at no load and in case the normal voltage limit fails.			

Protection Functions (Continued)

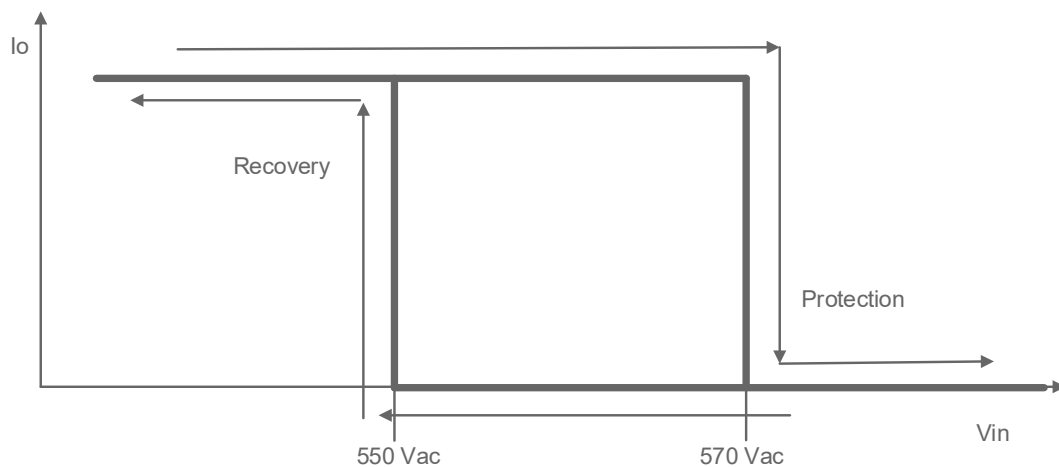
Parameter		Min.	Typ.	Max.	Notes
Input Under Voltage Protection (IUVP)	Input Under Voltage Protection	220 Vac	230 Vac	240 Vac	Turn off the output when the input voltage exceeds protection voltage.
	Input Under Voltage Recovery	230 Vac	240 Vac	250 Vac	Auto Recovery. The driver will restart when the input voltage falls below recovery voltage.
Input Over Voltage Protection	Input Over Voltage Protection	550 Vac	570 Vac	590 Vac	Turn off the output when the input voltage exceeds protection voltage.
	Input Over Voltage Recovery	530 Vac	550 Vac	570 Vac	Auto Recovery. The driver will restart when the input voltage falls below recovery voltage.
	Max. of Input Over Voltage	-	-	590 Vac	The driver can survive for 8 hours with input voltage stress of 590Vac.

Note: (1) The recommended NTC type is 10kΩ NTC, Murata NCP18XH103J03RB.

● Input Under Voltage Protection Diagram



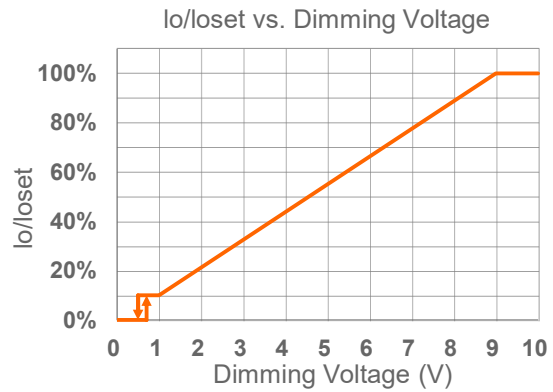
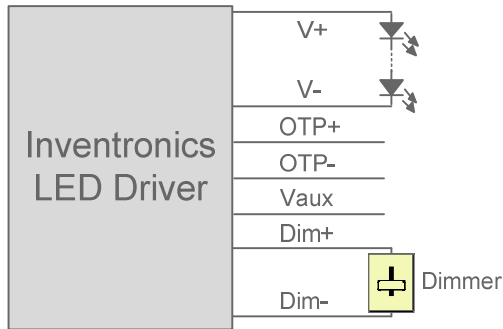
● Input Over Voltage Protection Diagram



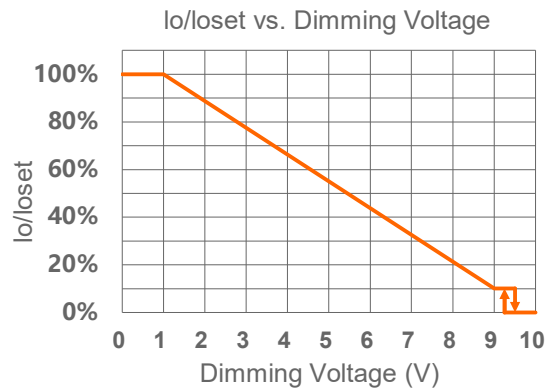
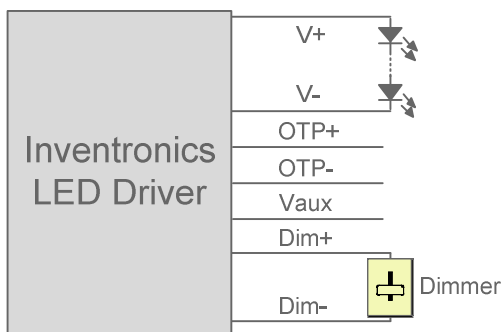
Dimming

● 0-10V Dimming

The recommended implementation of the dimming control is provided below



Implementation 1: Positive logic



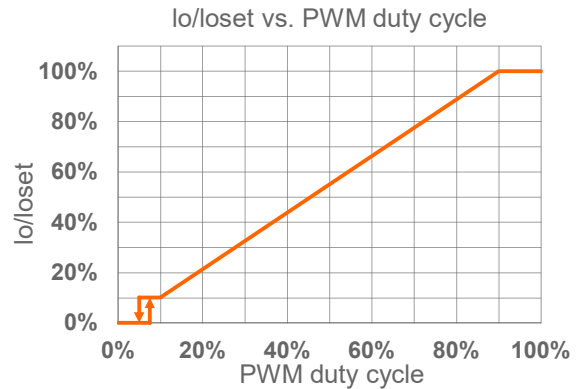
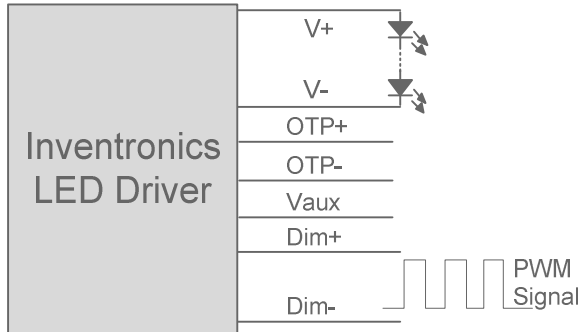
Implementation 2: Negative logic

Notes:

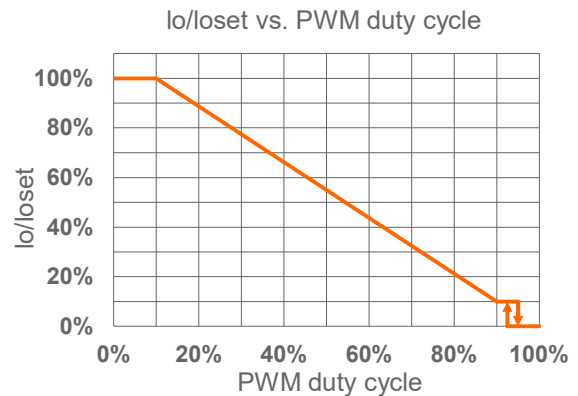
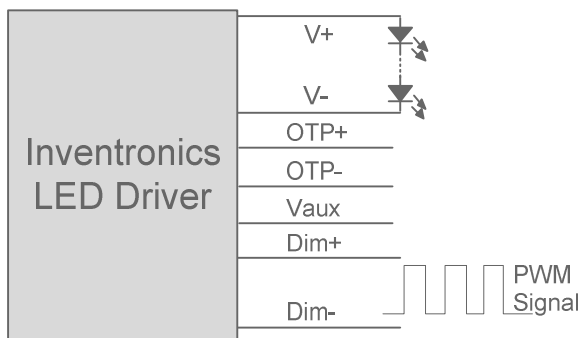
1. Do NOT connect Dim- to the output V- or V+, otherwise the driver will not work properly.
2. The dimmer can also be replaced by an active 0-10V voltage source signal or passive components like zener.
3. When 0-10V negative logic dimming mode and Dim+ is open, the driver will dim to off and be standby.

● PWM Dimming

The recommended implementation of the dimming control is provided below



Implementation 3: Positive logic



Implementation 4: Negative logic

Note:

1. Do NOT connect Dim- to the output V- or V+, otherwise the driver will not work properly.
2. When PWM negative logic dimming mode and Dim+ is open, the driver will dim to off and be standby.

● Time Dimming

Time dimming control includes 3 kinds of modes, they are Self Adapting-Midnight, Self Adapting-Percentage and Traditional Timer.

- **Self Adapting-Midnight:** Automatically adjusts the dimming curve based on the on-time of past two days (if difference <15 minutes), assuming that the center point of the dimming curve is midnight local time.
- **Self Adapting-Percentage:** Automatically adjusts the on-time of each step by a constant percentage = (actual on-time for the past 2 days if difference <15 min) / (programmed on-time from the dimming curve).
- **Traditional Timer:** Follows the programmed timing curve after power on with no changes.

● Output Lumen Compensation

Output Lumen Compensation (OLC) may be used to maintain constant light output over the life of the LEDs by driving them at a reduced current when new, then gradually increasing the drive current over time to counteract LED lumen degradation.

● End Of Life

End-of-Life (EOL) is providing a visual notification to a user that the LED module has reached the end of manufacturer-specified life and that the replacement is recommended. Once active, an indication is given at each power-up of the driver, which the driver indicates this through a lower light output during the first 1 minute before normal operation is continued.

● Digital Dimming

Inventronics Digital Dimming is a UART (Universal Asynchronous Receive Transmitter) based communication protocol and is compliant with T/CSA-051 standard. Please refer to [Inventronics Digital Dimming](#) file for details.

Programming Connection Diagram

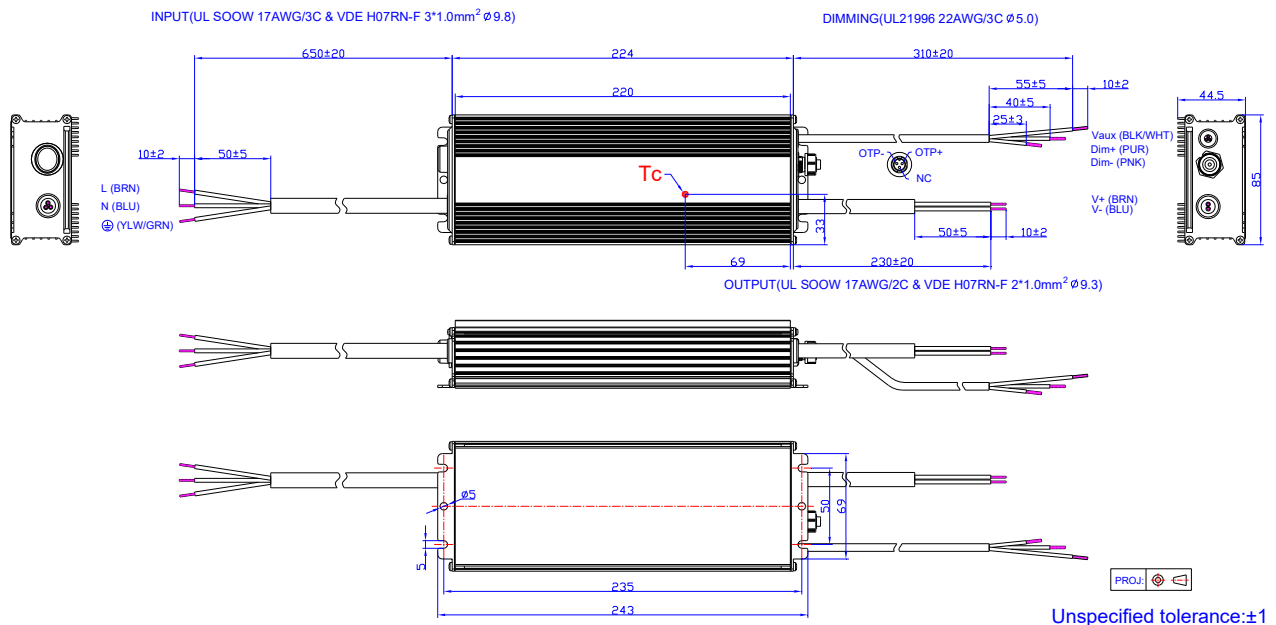


Note: The driver does not need to be powered on during the programming process.

● Please refer to [PRG-NFC-H](#) or [PRG-NFC-D2](#) (Programmer) datasheet for details.

Mechanical Outline

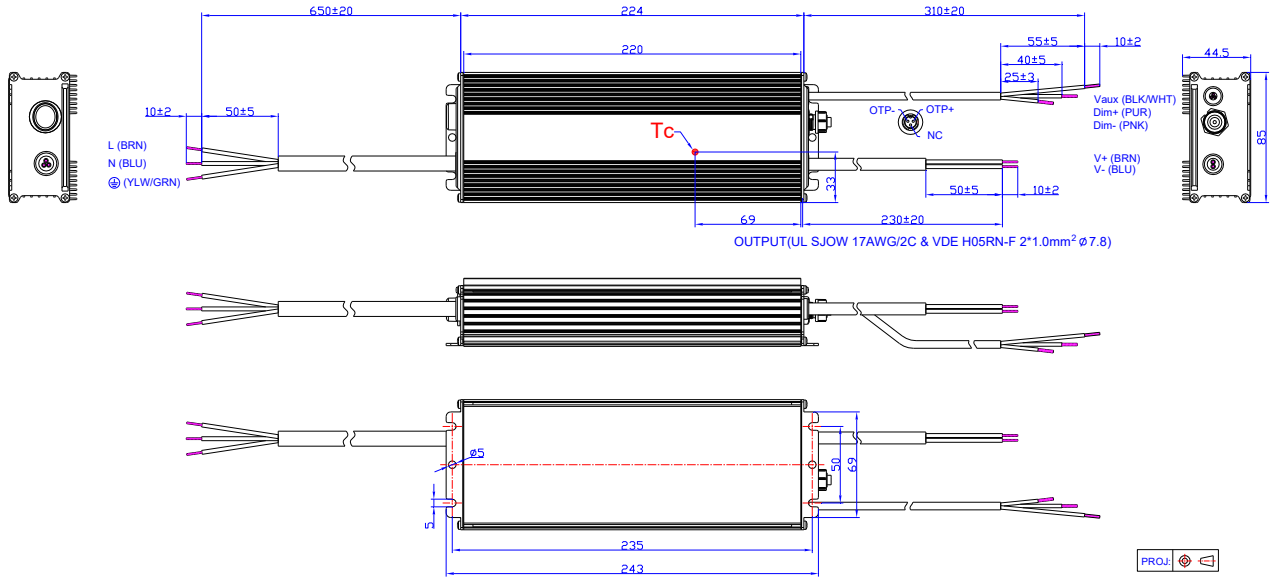
ESM-320S105LG/ESM-320S150LG



ESM-320S250LG/ESM-320S500LG/ESM-320S760LG

INPUT(UL SOOW 17AWG/3C & VDE H07RN-F 3*1.0mm² Ø9.8)

DIMMING(UL21996 22AWG/3C Ø5.0)

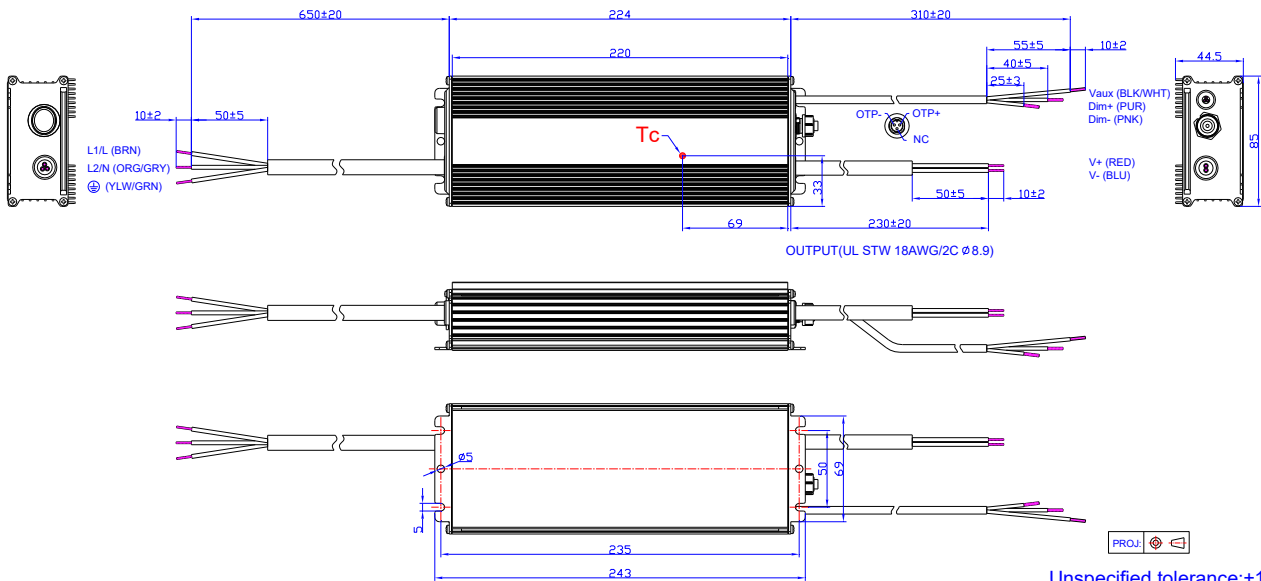


Unspecified tolerance: ±1

ESM-320S105LT/ESM-320S150LT

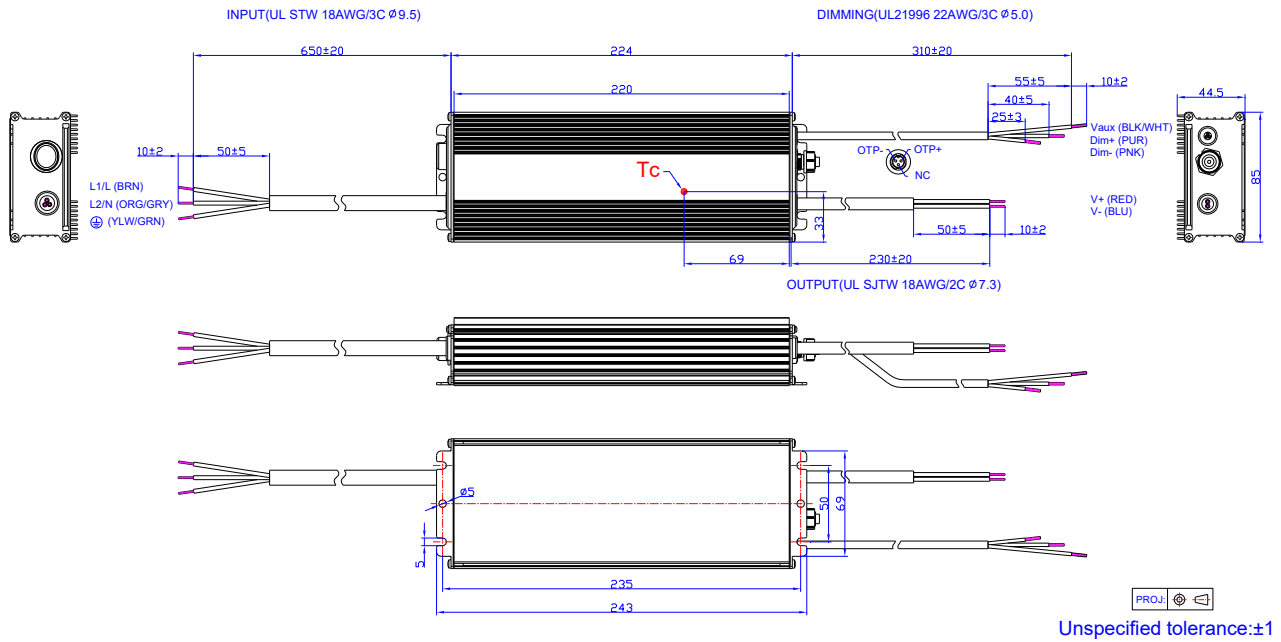
INPUT(UL STW 18AWG/3C Ø9.5)

DIMMING(UL21996 22AWG/3C Ø5.0)



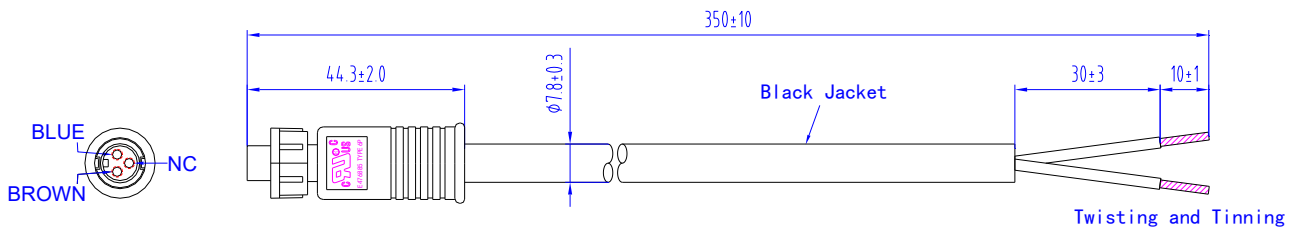
Unspecified tolerance: ±1

ESM-320S250LT/ESM-320S500LT/ESM-320S760LT



Optional Cable Parts

CAB-OTPG



- The external thermal protection cable used for the ESM series drivers can be supplied by Inventronics, please contact the sales for ordering if necessary. For the details of cable, please refer to [CAB-OTPG](#) (Cable) datasheet.

RoHS Compliance

Our products comply with reference to RoHS Directive (EU) 2015/863 amending 2011/65/EU, calling for the elimination of lead and other hazardous substances from electronic products.

Revision History

Change Date	Rev.	Description of Change		
		Item	From	To
2021-03-19	A	Datasheet Release	/	/
2022-01-08	B	UKCA / EAC logo	/	Added
		Models	Notes	Updated
		Safety &EMC Compliance	/	Updated
		Mechanical Outline	ESM-320SxxxLT	Updated
2023-07-13	C	Product Photograph	/	Updated
		Output Specifications	/	Updated
		Safety &EMC Compliance	/	Updated
		Dimming	/	Updated
		Mechanical Outline	/	Updated
2026-03-10	D	Format	/	Updated
		Product Photograph	/	Updated
		UKCA logo	/	Deleted
		Safety &EMC Compliance	/	Updated
		Inrush Current Waveform	/	Updated